



Chipsmall Limited consists of a professional team with an average of over 10 year of expertise in the distribution of electronic components. Based in Hongkong, we have already established firm and mutual-benefit business relationships with customers from,Europe,America and south Asia,supplying obsolete and hard-to-find components to meet their specific needs.

With the principle of “Quality Parts,Customers Priority,Honest Operation,and Considerate Service”,our business mainly focus on the distribution of electronic components. Line cards we deal with include Microchip,ALPS,ROHM,Xilinx,Pulse,ON,Everlight and Freescale. Main products comprise IC,Modules,Potentiometer,IC Socket,Relay,Connector.Our parts cover such applications as commercial,industrial, and automotives areas.

We are looking forward to setting up business relationship with you and hope to provide you with the best service and solution. Let us make a better world for our industry!



## Contact us

Tel: +86-755-8981 8866 Fax: +86-755-8427 6832

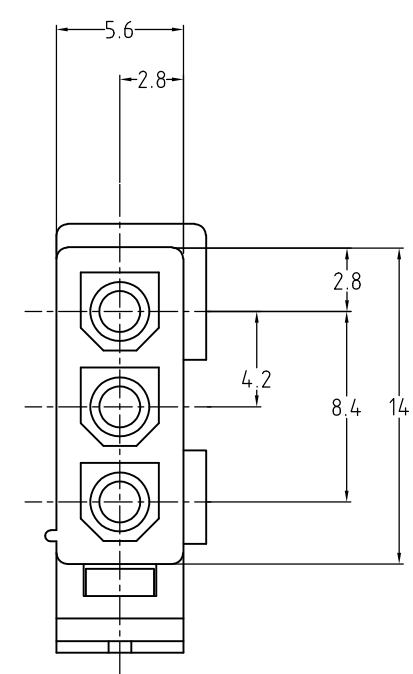
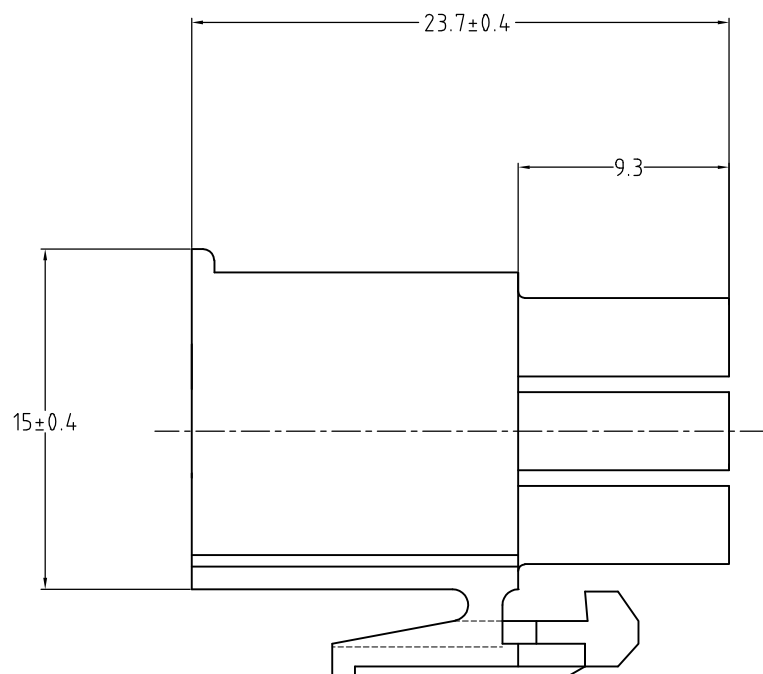
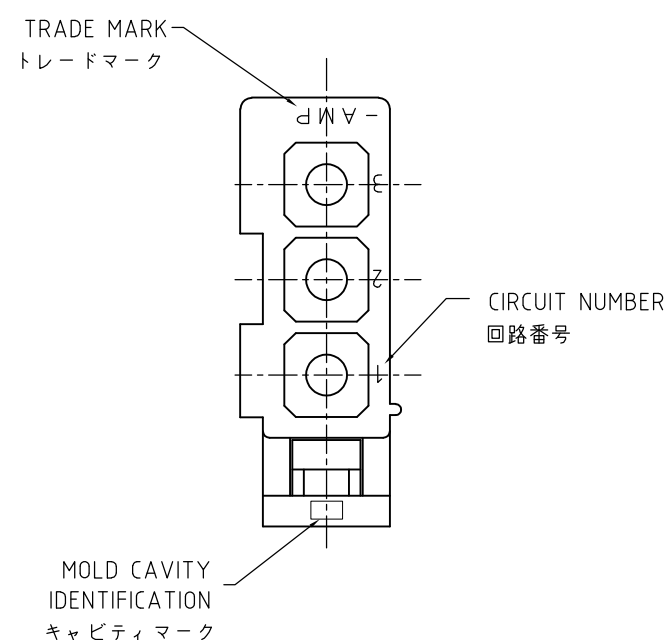
Email & Skype: info@chipsmall.com Web: www.chipsmall.com

Address: A1208, Overseas Decoration Building, #122 Zhenhua RD., Futian, Shenzhen, China



THIS DRAWING IS UNPUBLISHED. RELEASED FOR PUBLICATION  
 © COPYRIGHT - By - ALL RIGHTS RESERVED.

LOC	DIST	REVISIONS 変更		
J	-	P	LTR	DESCRIPTION
			D2	REVISED PER ECO-11-005030
				DATE
				11MAR11
				DWN
				RK
				APVD
				HMR



- NOTES:
1. APPLIED CONTACT P/N:170359,170360,170361,170362
  2. MATING CONN.:CAP HOUSING P/N:172158
  3. PRODUCT SPEC :108-5138
  4. INSTRUCTION SHEET :IS-105J
  5. GENERAL TOLERANCE : ±0.3
  6. OBSOLETE PARTS: OBSOLETE CIS STREAMLINING PER D.RENAUD/D.SINISI

OBSOLETE	黒 (BLACK)	1-172166-9
	青 (BLUE)	4-6
	緑 (GREEN)	4-5
	赤 (RED)	1--2
	自然色 (NATURAL)	172166-1
	色 (COLOR)	番号 PART No.

- 注記 ;
- 1, 使用端子型番は、170359,170360,170361,170362
  - 2, 嵌合相手ハウジング型番は、172158
  - 3, 適用製品仕様書 : 108-5138
  - 4, 取扱い説明書 : IS-105J
  - 5, 一般公差 : ±0.3

THIS DRAWING IS A CONTROLLED DOCUMENT.		DWN	Y.YAMADA	23MAR2005	<b>STE</b> TE Connectivity
DIMENSIONS: 単位: 耗 mm		CHK	A.OISHI	23MAR2005	
TOLERANCES UNLESS OTHERWISE SPECIFIED: 一般公差		APVD	N.YAMASAKI	23MAR2005	NAME 名称
0 PLC ±		PRODUCT SPEC 製品規格		3極 ミニユニバーサル メイテンロック プラグ ハウジング (UL94V-0)	
1 PLC ±		APPLICATION SPEC 取付適用規格		MINI UNIVERSAL MATE-N-LOK PLUG HOUSING 3POS	
2 PLC ±		WEIGHT		SIZE	A3
3 PLC ±		FINISH 仕上		CAGE CODE	00779
4 PLC ±		MATERIAL 材料 66ナイロン (UL94V-0)		DRAWING NO 番号	C-172166
ANGLES ±		CUSTOMER DRAWING		RESTRICTED TO	-
		SCALE 尺度 3:1		SHEET 1 OF 1	REV D2