



Chipsmall Limited consists of a professional team with an average of over 10 year of expertise in the distribution of electronic components. Based in Hongkong, we have already established firm and mutual-benefit business relationships with customers from,Europe,America and south Asia,supplying obsolete and hard-to-find components to meet their specific needs.

With the principle of "Quality Parts,Customers Priority,Honest Operation,and Considerate Service",our business mainly focus on the distribution of electronic components. Line cards we deal with include Microchip,ALPS,ROHM,Xilinx,Pulse,ON,Everlight and Freescale. Main products comprise IC,Modules,Potentiometer,IC Socket,Relay,Connector.Our parts cover such applications as commercial,industrial, and automotives areas.

We are looking forward to setting up business relationship with you and hope to provide you with the best service and solution. Let us make a better world for our industry!



Contact us

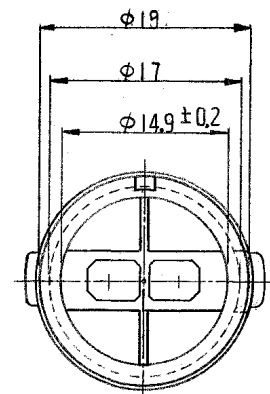
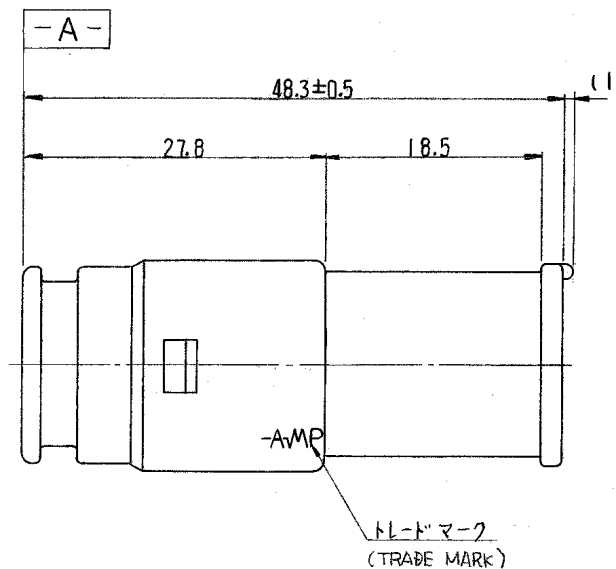
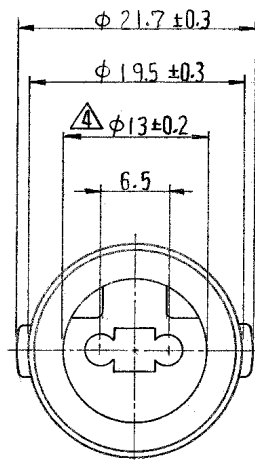
Tel: +86-755-8981 8866 Fax: +86-755-8427 6832

Email & Skype: info@chipsmall.com Web: www.chipsmall.com

Address: A1208, Overseas Decoration Building, #122 Zhenhua RD., Futian, Shenzhen, China



一般公差		
10以下		± 0.2
10を越え30以下		± 0.25
30を越え100以下		± 0.3
角度		± 3°



注;

1. 嵌合相手ハウジング型番 172198
2. 使用端子型番 170279
3. 型番 172198 と嵌合時に干渉なく所定の性能を満足する。
4. \triangle [-A-] 面から 22mm の所で測定
5. 適用製品規格番号 108-5136

NOTE:

1. THE MATING COUNTERPART NUMBER: 172198
2. APPLIED CONTACT: P/N 170279
3. TO BE MATE WITH PLUG HOUSING(P/N 172198) SMOOTHLY
4. \triangle TO BE MEASURED AT 22mm FROM [-A-]
5. APPLICABLE PRODUCT SPEC. NUMBER: 108-5136

172199-4	緑 (GREEN)
172199-2	黒 (BLACK)
172199-1	自然色 (NATURAL)

B2 REVISED ECR-16-017008 TS KB 27DEC 2016			
B1-7 OBSOLETE J-1357 K.Y. AT 8/25			
B 灰色追加 (J-10513) D.M. 9m 1/8/88			
A1 黄色追加 (REV. 49) 2/27 K.O. ZLT 2/27/82			
A 変更 (P-DWG 1320 / REV. A REV. 4) M.V. 1/9/81			
O 作成 J80-4534 X.Y. K. 12/29			
LTR.	変更 (REVISION RECORD)	DR.	CHK. DATE

部品 (NUMBER)
C-172199

組立部品 (REQUIRED PER ASSEMBLY)		番号 (NUMBER)		名称 (NAME)		番号 (P/N)		摘要 (REMARKS)		色 (COLOR)		ITEM NO.	
		©1991-2016 タイコエレクトロニクスジャパン合同会社 TE Connectivity Ltd. グループ		©1991-2016 Tyco Electronics Japan G.K. a TE Connectivity Ltd. Company All Rights Reserved		参考図面 (CUSTOMER COPY) (REFERENCE ONLY)							
材料 (MATERIAL) 耐熱 66 ナイロン (HEAT RESISTING 66 NYLON)		指合電線断面径 (WIRE RANGE) mm ² (AWG)		被覆外径 (INSULATION DIA.) mm (IN)		分組 (CLASS)		型式 (TYPE)					
色: 表参照 (COLOR: SEE TABLE)		公差 (TOLERANCE) ±0.4 EXCEPT AS NOTED		2-1		LOG SIZE		番号 (NO)		C-172199		REV. B2	
DR. X. YUASA 19/79		CHK. H. TAMATA 13/2/99		DE. H. Sato 14/6/99		名称 (NAME)		2極 Eコネクタ用シールド型 J コネクターキャップハウジング		2 Pcs. ECONOSEAL SERIES "J" CONNECTOR CAP HOUSING			
記事 (DESCRIPTION)													

DIMENSIONS IN MM. DO NOT SCALE PRINT