



Chipsmall Limited consists of a professional team with an average of over 10 year of expertise in the distribution of electronic components. Based in Hongkong, we have already established firm and mutual-benefit business relationships with customers from,Europe,America and south Asia,supplying obsolete and hard-to-find components to meet their specific needs.

With the principle of “Quality Parts,Customers Priority,Honest Operation,and Considerate Service”,our business mainly focus on the distribution of electronic components. Line cards we deal with include Microchip,ALPS,ROHM,Xilinx,Pulse,ON,Everlight and Freescale. Main products comprise IC,Modules,Potentiometer,IC Socket,Relay,Connector.Our parts cover such applications as commercial,industrial, and automotives areas.

We are looking forward to setting up business relationship with you and hope to provide you with the best service and solution. Let us make a better world for our industry!



Contact us

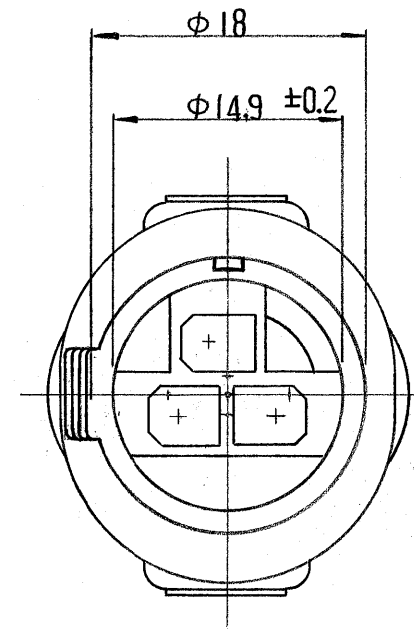
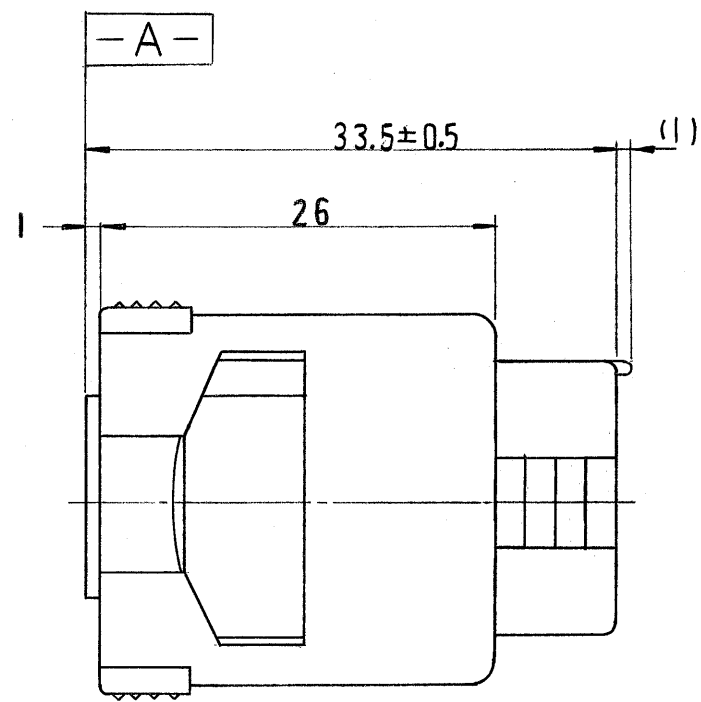
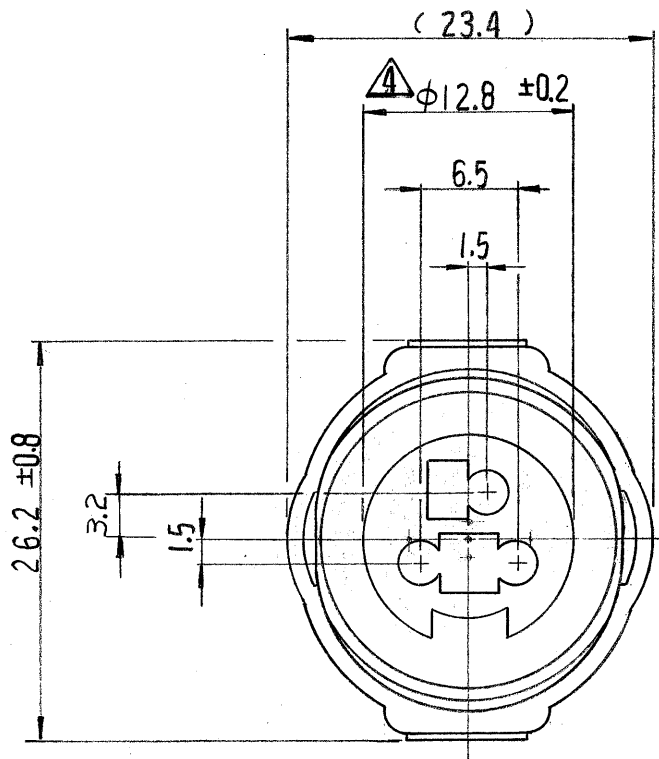
Tel: +86-755-8981 8866 Fax: +86-755-8427 6832

Email & Skype: info@chipsmall.com Web: www.chipsmall.com

Address: A1208, Overseas Decoration Building, #122 Zhenhua RD., Futian, Shenzhen, China



| 一般公差 | |
|------------|--------|
| 10以下 | ± 0.2 |
| 10を越え30以下 | ± 0.25 |
| 30を越え100以下 | ± 0.3 |
| 角度 | ± 3° |



注;

1. 嵌合相手ハウジング型番 172202
2. 使用端子型番 170280 及び 170295.
3. 型番 172202 と嵌合時に干渉なく所定の機能を満足する。
4. -A- 面から 2mm の範囲で測定
5. 適用製品規格番号 108-5136.

NOTE:

1. THE MATING COUNTERPART PART NUMBER: 172202
2. APPLIED CONTACT: P/N 170280, 170295
3. TO BE MATE WITH CAP HOUSING (P/N 172202) SMOOTHLY
4. TO BE MEASURED BETWEEN -A- AND 2
5. APPLICABLE PRODUCT SPEC. NUMBER: 108-5136

| | |
|----------|---------------|
| 172201-7 | 黄 (YELLOW) |
| 172201-6 | 灰 (GRAY) |
| 172201-4 | 緑 (GREEN) |
| ↑ | |
| - 2 | 黒 (BLACK) |
| 172201-1 | 自然色 (NATURAL) |

| | | | | | | | |
|--|--|--|--|--|---|-----------|----------------|
| 組立部品 (REQUIRED PER ASSEMBLY) | | 番号 (NUMBER) | 名称 (NAME) | 番号 (P/N) | 摘要 (REMARKS) | 色 (COLOR) | 規格 (SPEC. NO.) |
| C-172201 | | ① 1979 年 日本エー・エム・ピー株式会社 AMP 社の諸製品は特許又は特許出願中 | ② 1979 BY AMP (Japan), Ltd. ALL RIGHTS RESERVED. AMP PRODUCTS COVERED BY PATENTS AND/OR PATENTS PENDING | | 参考図面 (CUSTOMER COPY) REFERENCE ONLY | | |
| 材料 (MATERIAL) 耐熱 66 ナイロン (HEAT RESISTING 66 NYLON) | | 適合電線断面積 (WIRE RANGE) | | TRADEMARK AMP 日本エー・エム・ピー株式会社 TOKYO, JAPAN | | | |
| 色: 表参照 (COLOR: SEE TABLE) | | 被覆外径 (INSULATION DIA.) | | 分類 (CLASS) | | | |
| DR. K. YUASA 12/19/79 | | 公差 (TOLERANCE) EXCEPT AS NOTED ±0.4 | | 型式 (TYPE) | | | |
| CHK. A. Yamata 12/21/79 | | 尺度 (SCALE) | | LOC SIZE 番号 (NO) | | | |
| DE. M. Sato 12/21/79 | | 名称 (NAME) | | REV. | | | |
| APP. Y. Sato 12/24/79 | | 名称 (NAME) 3極 エコノシール シリーズ "J" コネクター プラグ ハウジング | | C-172201 B | | | |
| LTR. 変更 (REVISION RECORD) | | 記事 (DESCRIPTION) | | 3Pos ECONOSEAL SERIES "J" CONNECTOR PLUG HOUSING | | | |

| LTR. | 変更 (REVISION RECORD) | DR. | CHK. | DATE |
|------|------------------------|------|------|---------|
| B | 灰色追加 (J-10513) | D.M. | ym | 7/5/88 |
| A1 | 黄色追加 (REV. A) J80-5521 | K.O. | KT | 5/21/82 |
| A | 変更 (REV. A) J80-5521 | K.O. | KT | 1/9/81 |
| O | 作成 J80-5524 | K.Y. | YN | 12/1/79 |

単位: 概 DIMENSIONS IN MM. DO NOT SCALE PRINT