



Chipsmall Limited consists of a professional team with an average of over 10 year of expertise in the distribution of electronic components. Based in Hongkong, we have already established firm and mutual-benefit business relationships with customers from,Europe,America and south Asia,supplying obsolete and hard-to-find components to meet their specific needs.

With the principle of “Quality Parts,Customers Priority,Honest Operation,and Considerate Service”,our business mainly focus on the distribution of electronic components. Line cards we deal with include Microchip,ALPS,ROHM,Xilinx,Pulse,ON,Everlight and Freescale. Main products comprise IC,Modules,Potentiometer,IC Socket,Relay,Connector.Our parts cover such applications as commercial,industrial, and automotives areas.

We are looking forward to setting up business relationship with you and hope to provide you with the best service and solution. Let us make a better world for our industry!



## Contact us

Tel: +86-755-8981 8866 Fax: +86-755-8427 6832

Email & Skype: info@chipsmall.com Web: www.chipsmall.com

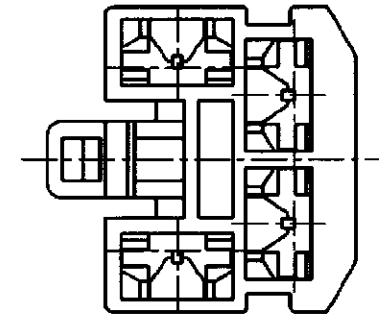
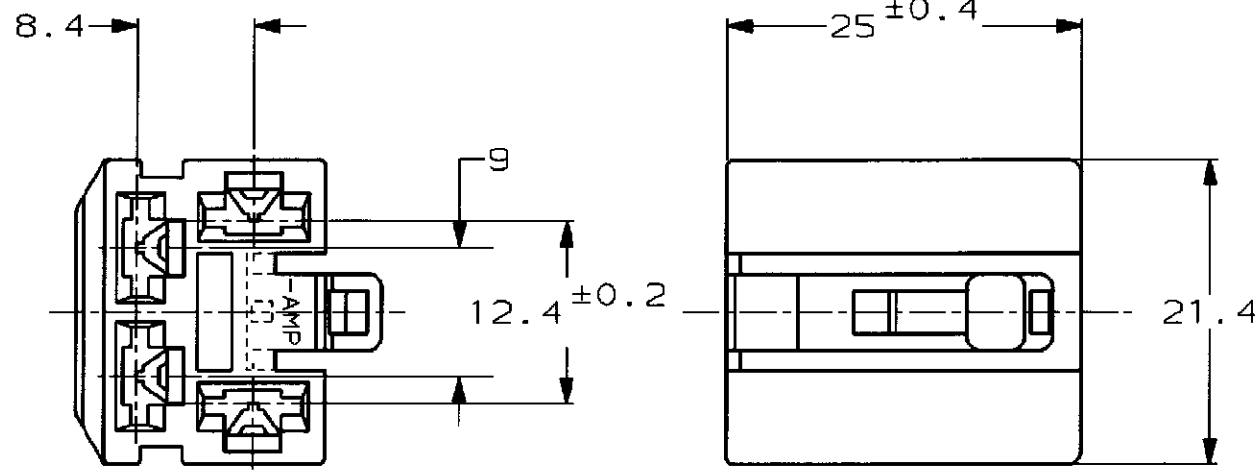
Address: A1208, Overseas Decoration Building, #122 Zhenhua RD., Futian, Shenzhen, China



NUMBER C-172222

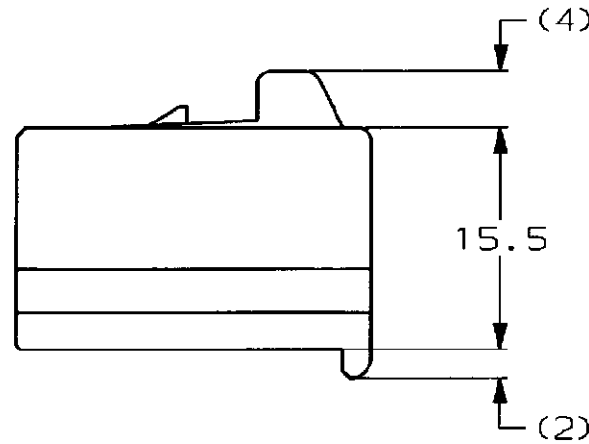
METRIC

PRINT DIST  
単位: mm DIMENSIONS IN MM. DO NOT SCALE PRINT



注;  
1. 嵌合する相手ハウジングは型番172221  
2. 使用端子は型番170342, 170343, 170350

NOTE;  
1. THE MATING CAP HOUSING; P/N 172221  
2. APPLIED CONTACT; P/N 170342, 170343, 170350



淡灰 (LIGHT GRAY)	6-172222-6
黄 (YELLOW)	-7
灰 (GRAY)	-6
緑 (GREEN)	-4
茶 (BROWN)	-3
黒 (BLACK)	-2
自然色 (NATURAL)	172222-1
色 (COLOR)	型番 (P/N)

Copyright ©1979年 AMP (Japan) LTD. ALL RIGHTS RESERVED.		Copyright ©1979 AMP (Japan) LTD. ALL RIGHTS RESERVED.		AMP		日本エー・エム・ピー株式会社 Tokyo, Japan	
名称 (NAME) 250 シリーズ ファストン インターロック 4極 プラグ ハウジング コネクタ		名称 (NAME) 250 シリーズ ファストン インターロック 4極 プラグ ハウジング コネクタ		250 SERIES FASTON INTER-LOCK CONNECTOR 4Pos PLUG HOUSING		一般公差 (GENERAL TOLERANCE)	
材料 (MATERIAL) 66 ナイロン (66 NYLON)		仕上 (FINISH) 色: 表参照 COLOR, SEE TABLE		10以下: ±0.2		10を超え 30以下: ±0.25	
DR. T. Shinohara		DE. K. Yama		30を超え 100以下: ±0.3		角 度: ±3°	
CHK. H		APP. D. Tomita		尺 寸 (SCALE) 2-1		REV. C	
LTR 変更 (REVISION RECORD)		DR CHK DATE		SHEET 1 OF 1		REV. C	

(CUSTOMER DRAWING) 参 考 図 面