



Chipsmall Limited consists of a professional team with an average of over 10 year of expertise in the distribution of electronic components. Based in Hongkong, we have already established firm and mutual-benefit business relationships with customers from,Europe,America and south Asia,supplying obsolete and hard-to-find components to meet their specific needs.

With the principle of “Quality Parts,Customers Priority,Honest Operation,and Considerate Service”,our business mainly focus on the distribution of electronic components. Line cards we deal with include Microchip,ALPS,ROHM,Xilinx,Pulse,ON,Everlight and Freescale. Main products comprise IC,Modules,Potentiometer,IC Socket,Relay,Connector.Our parts cover such applications as commercial,industrial, and automotives areas.

We are looking forward to setting up business relationship with you and hope to provide you with the best service and solution. Let us make a better world for our industry!



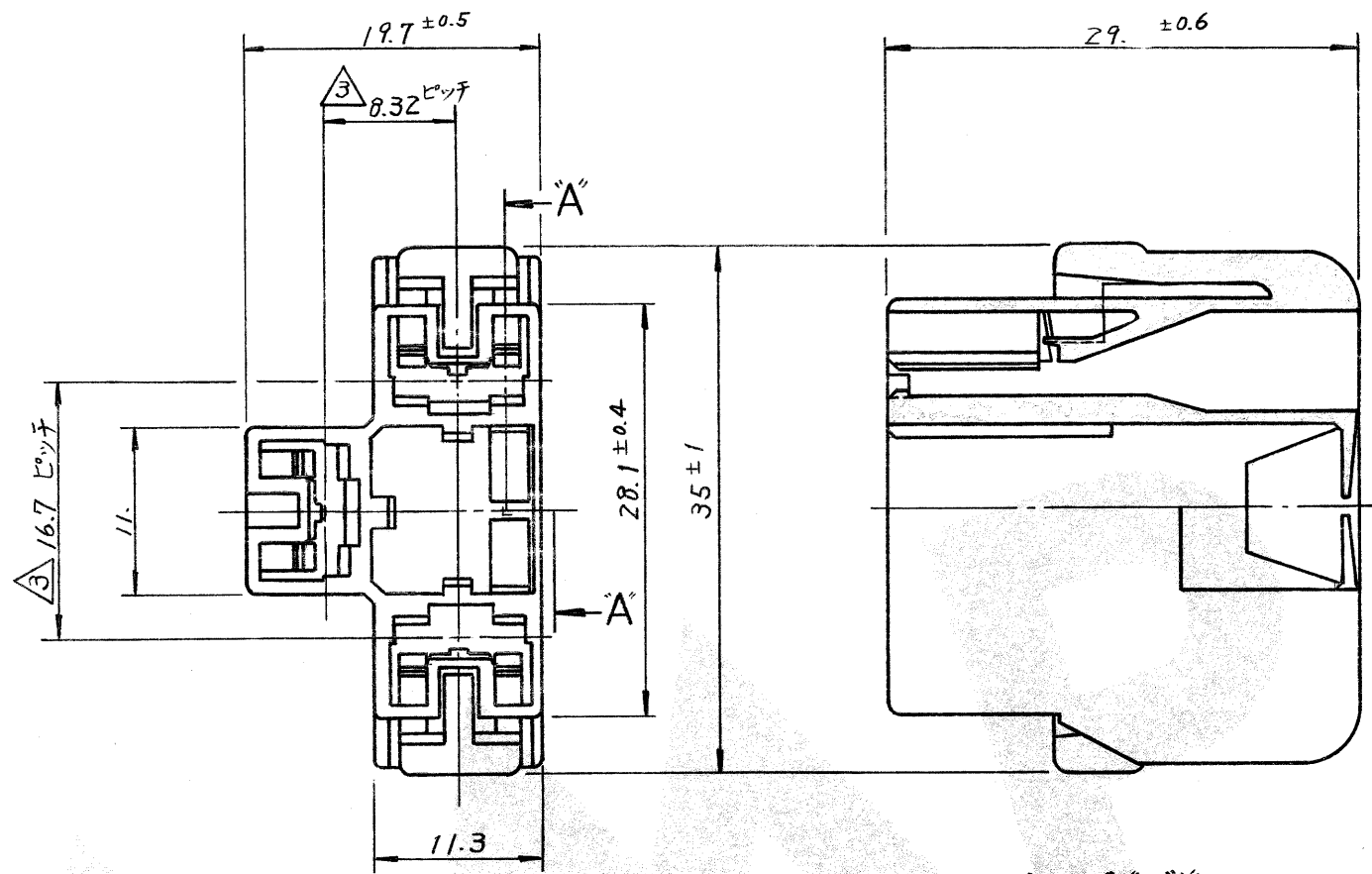
Contact us

Tel: +86-755-8981 8866 Fax: +86-755-8427 6832

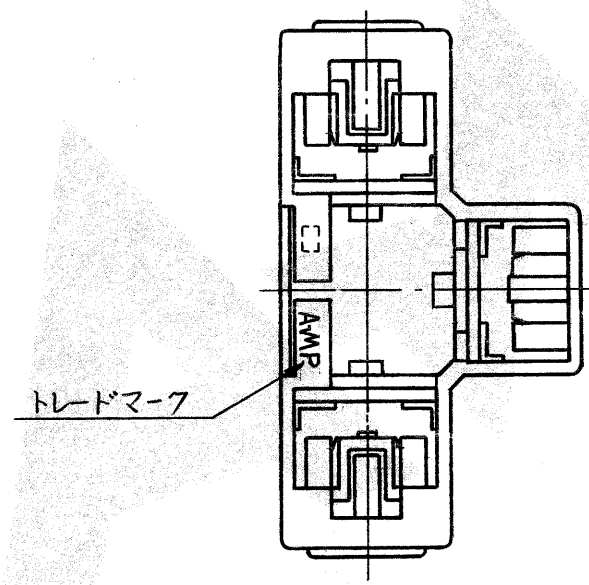
Email & Skype: info@chipsmall.com Web: www.chipsmall.com

Address: A1208, Overseas Decoration Building, #122 Zhenhua RD., Futian, Shenzhen, China



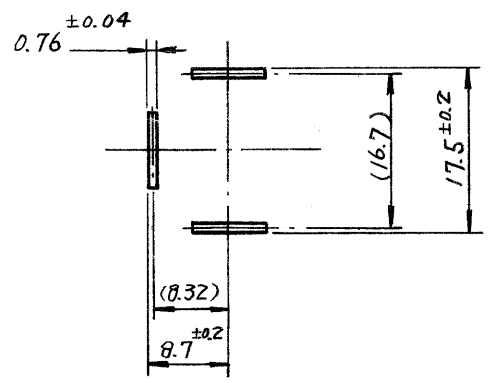


断面 A-A



注:

1. 通用製品規格 ; 108-5131
2. 通用コネクタ型番 170301
3. アンシールドビームコネクタ用タフ番号 79-25103
と嵌合する (SAE, JASO 及び JIS 規格に準拠)
4. OBSOLETE PARTS: OBSOLETE CIS STREAMLINING PER D.RENAUD/D.SINISI



△4 OBSOLETE	172236-5	青
△4 OBSOLETE	172236-3	茶
	-2	黒
	172236-1	自然色
	番号	色

LTR.	変更 (REVISION RECORD)	DR.	CHK.	DATE
C1	ECO-10-000444	KK	AEG	JAN 10
C	変更	J84-7969	SW	1/11/80
B	REVISED	J81-6011	SW	9/2/80
A	REVISED	J80-5815	RY	11/11/80
O	RELEASED	J80-5852	RY	11/11/80

材料 (MATERIAL) 6/6 ナイロン	公差 TOLERANCE EXCEPT AS NOTED	名称 (NAME) AMP 日本エー・エム・ピー株式会社 TOKYO, JAPAN
仕上 (FINISH) 色: 表参照	DR. K. YUASA 4/17 '80 CHK. a. Tomita 4/25 '80 DE. M. Iseuchi 4/21 '80 APP. Y. Sato 4/28 '80	子極シールドビームコネクタハウジング
	SIZE B LOC J	番号 (NO.) C-172236
	尺度 (SCALE) 2-1	REV. C1 SHEET 4