



Chipsmall Limited consists of a professional team with an average of over 10 year of expertise in the distribution of electronic components. Based in Hongkong, we have already established firm and mutual-benefit business relationships with customers from,Europe,America and south Asia,supplying obsolete and hard-to-find components to meet their specific needs.

With the principle of “Quality Parts,Customers Priority,Honest Operation,and Considerate Service”,our business mainly focus on the distribution of electronic components. Line cards we deal with include Microchip,ALPS,ROHM,Xilinx,Pulse,ON,Everlight and Freescale. Main products comprise IC,Modules,Potentiometer,IC Socket,Relay,Connector.Our parts cover such applications as commercial,industrial, and automotives areas.

We are looking forward to setting up business relationship with you and hope to provide you with the best service and solution. Let us make a better world for our industry!



Contact us

Tel: +86-755-8981 8866 Fax: +86-755-8427 6832

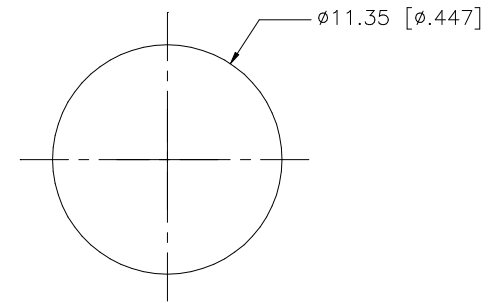
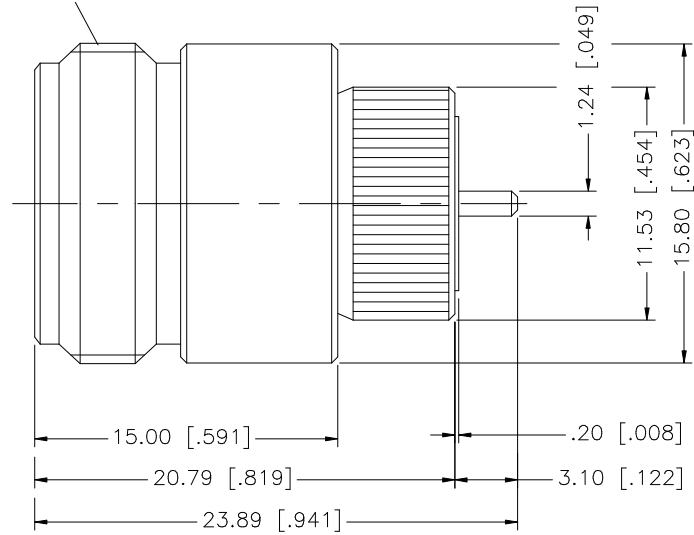
Email & Skype: info@chipsmall.com Web: www.chipsmall.com

Address: A1208, Overseas Decoration Building, #122 Zhenhua RD., Futian, Shenzhen, China



REV.	DATE	DESCRIPTION
NC	08/16/99	INITIAL RELEASE
A	05/29/07	UPDATE DRAWING FORMAT

5/8-24UNEF-2A



RECOMMENDED
MOUNTING HOLE

8					UNLESS OTHERWISE SPECIFIED DIMENSIONS ARE IN MILLIMETERS. DIMENSIONS IN [] ARE IN INCHES AND FOR CUSTOMER REFERENCE ONLY. UNLESS OTHERWISE SPECIFIED TOLERANCES FOR MILLIMETERS ARE: 0.5 - 8mm ± 0.20mm 8 - 30mm ± 0.40mm 30 - 120mm ± 0.50mm UNLESS OTHERWISE SPECIFIED TOLERANCES FOR INCHES ARE: .020 - .315 = ± 0.007" .315 - 1.180 = ± 0.015" 1.180 - 4.724 = ± 0.020"	APPROVALS	DATE	<h1 style="color: blue; text-align: center;">Amphenol Connex</h1>				
7				DRAWN		G.R.S.	05/29/07					PART DESCRIPTION <h2 style="text-align: center;">N PRESS FIT RECEPTACLE</h2>
6				CHECKED				PART NO. <h2 style="text-align: center;">172248</h2>				
5				ISSUED								DWG. NO. 172248.DWG
4				SHEET	1 OF 1		REV.	A	SIZE	A	SCALE	
3	CONTACT PIN	BER. COPPER	GOLD	1	DO NOT SCALE DRAWING		CAD FILE		C:/172/172248.DWG			
2	INSULATOR	TEFLON	NATURAL	1								
1	BODY	BRASS	NEXCOTE	1								