



Chipsmall Limited consists of a professional team with an average of over 10 year of expertise in the distribution of electronic components. Based in Hongkong, we have already established firm and mutual-benefit business relationships with customers from,Europe,America and south Asia,supplying obsolete and hard-to-find components to meet their specific needs.

With the principle of “Quality Parts,Customers Priority,Honest Operation,and Considerate Service”,our business mainly focus on the distribution of electronic components. Line cards we deal with include Microchip,ALPS,ROHM,Xilinx,Pulse,ON,Everlight and Freescale. Main products comprise IC,Modules,Potentiometer,IC Socket,Relay,Connector.Our parts cover such applications as commercial,industrial, and automotives areas.

We are looking forward to setting up business relationship with you and hope to provide you with the best service and solution. Let us make a better world for our industry!



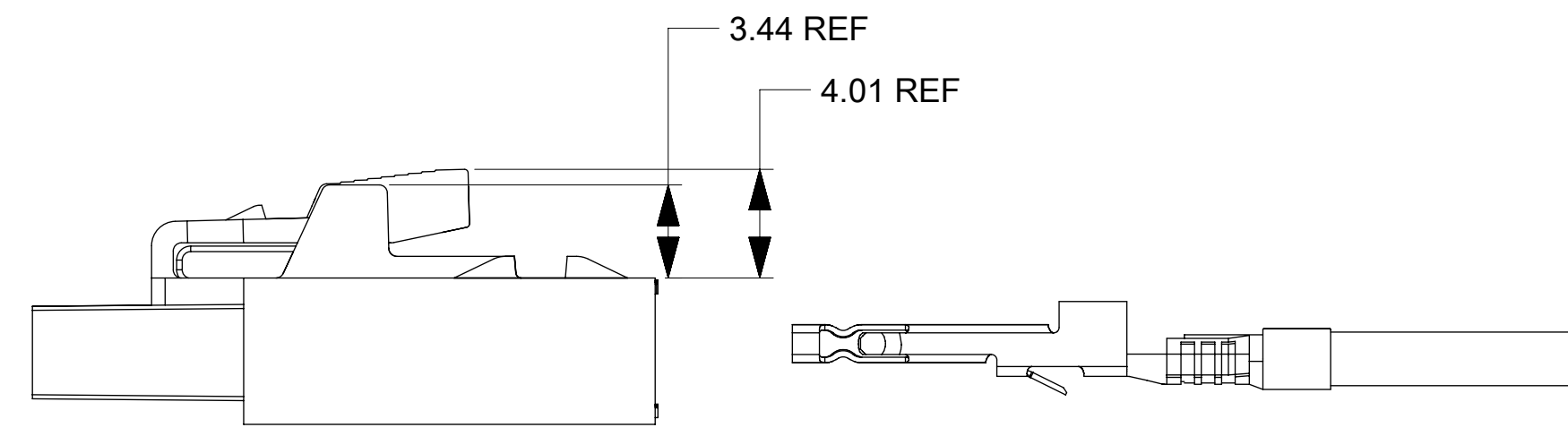
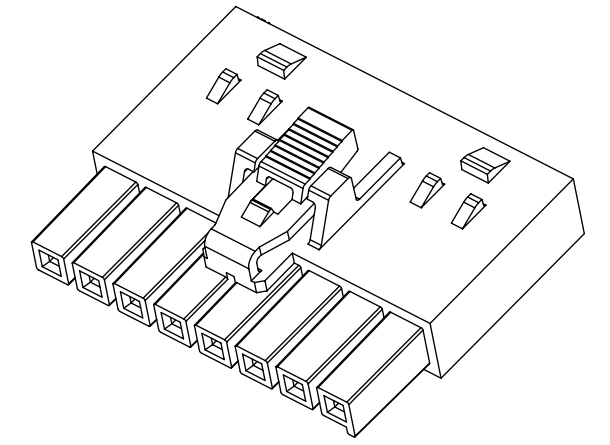
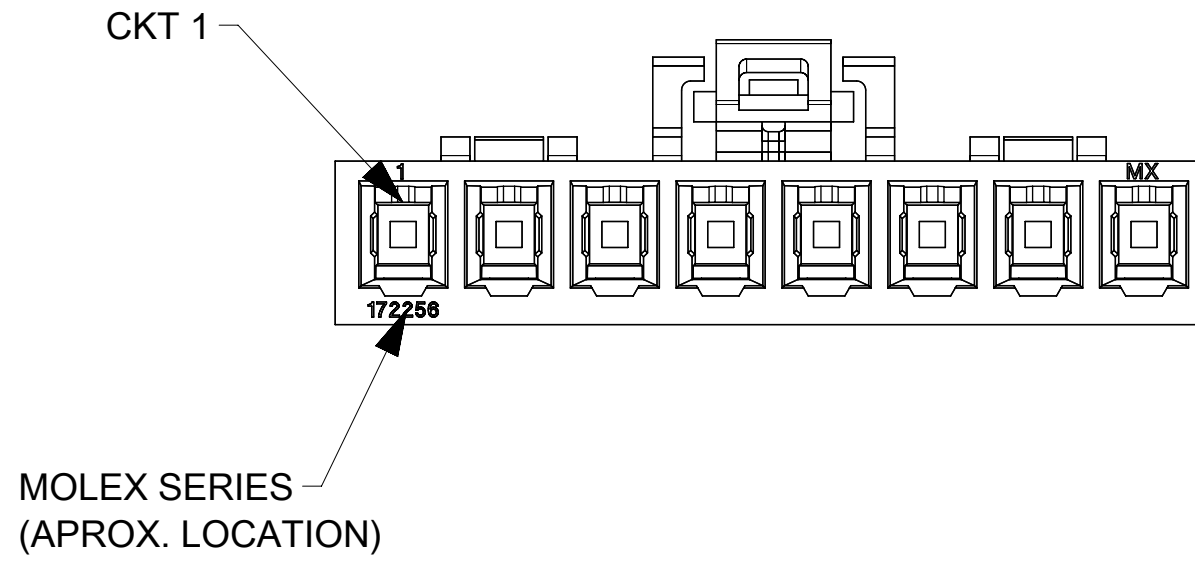
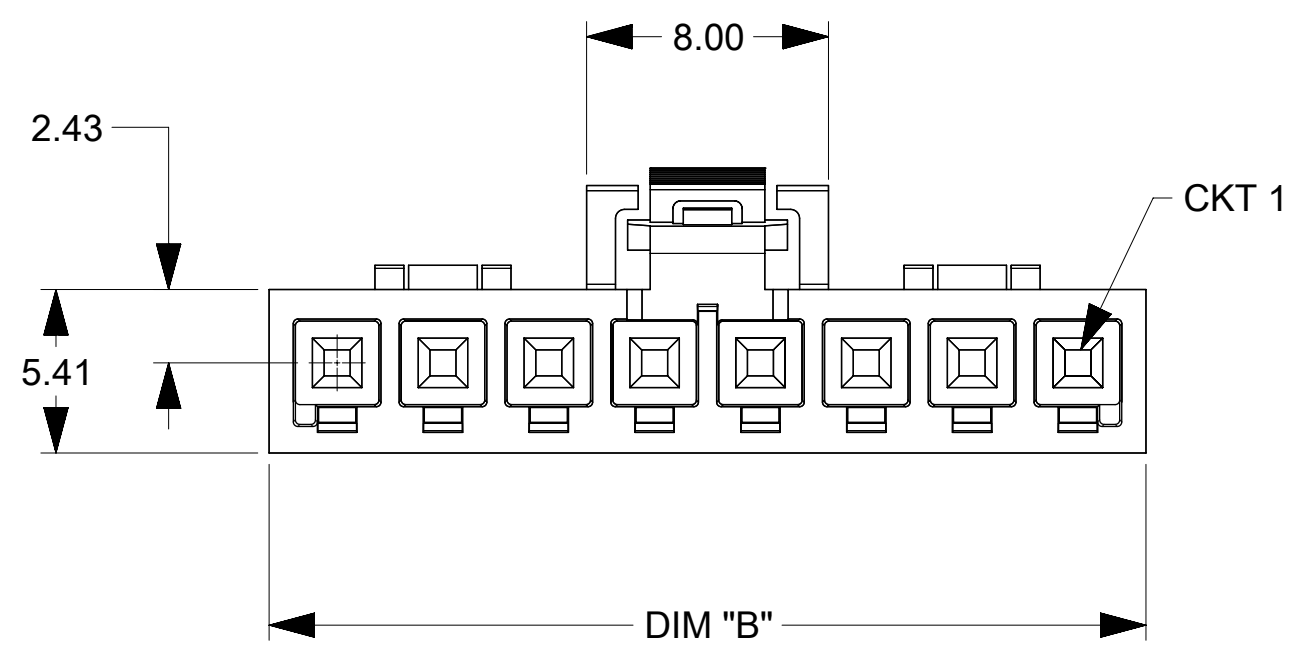
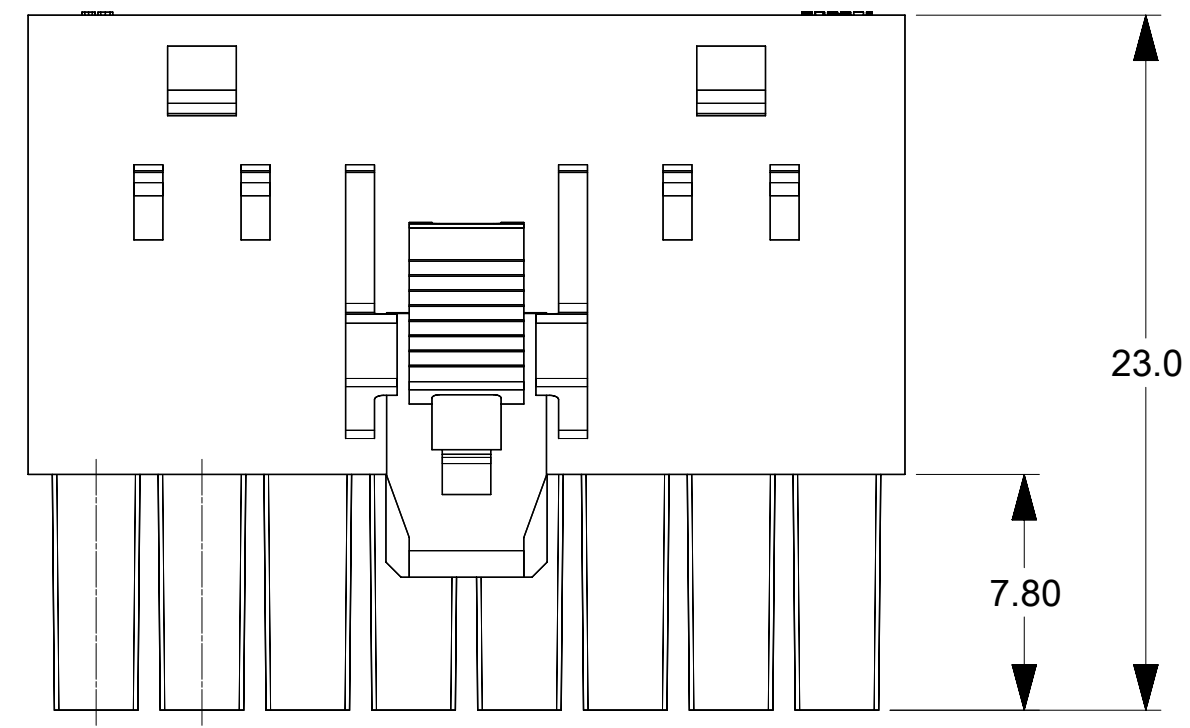
Contact us

Tel: +86-755-8981 8866 Fax: +86-755-8427 6832

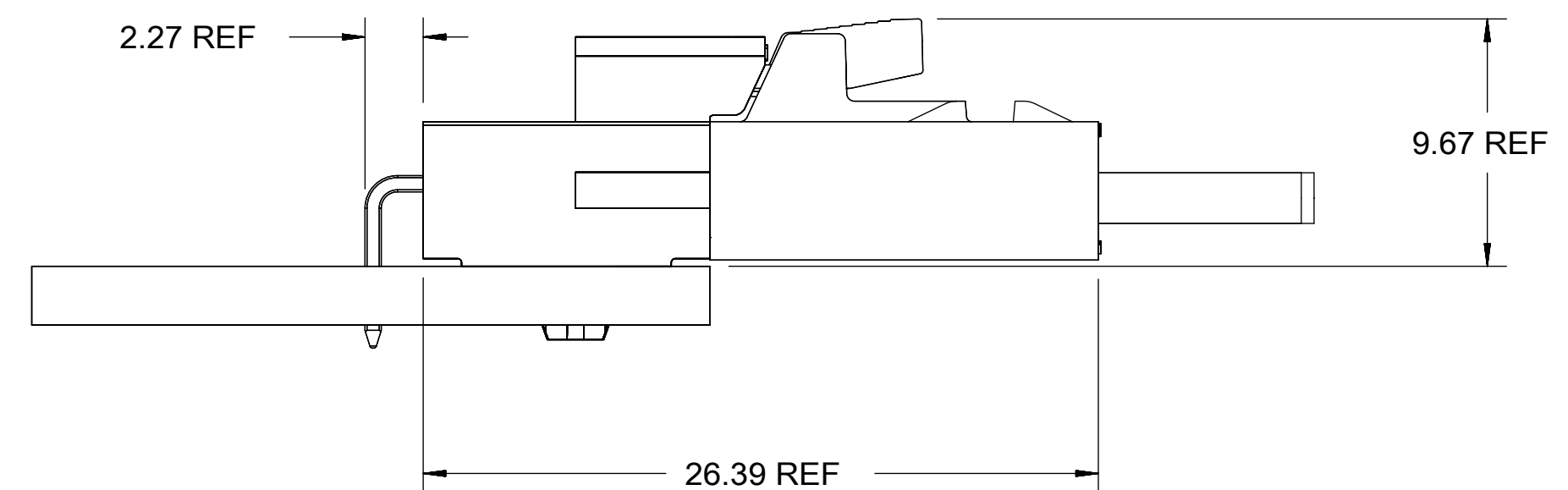
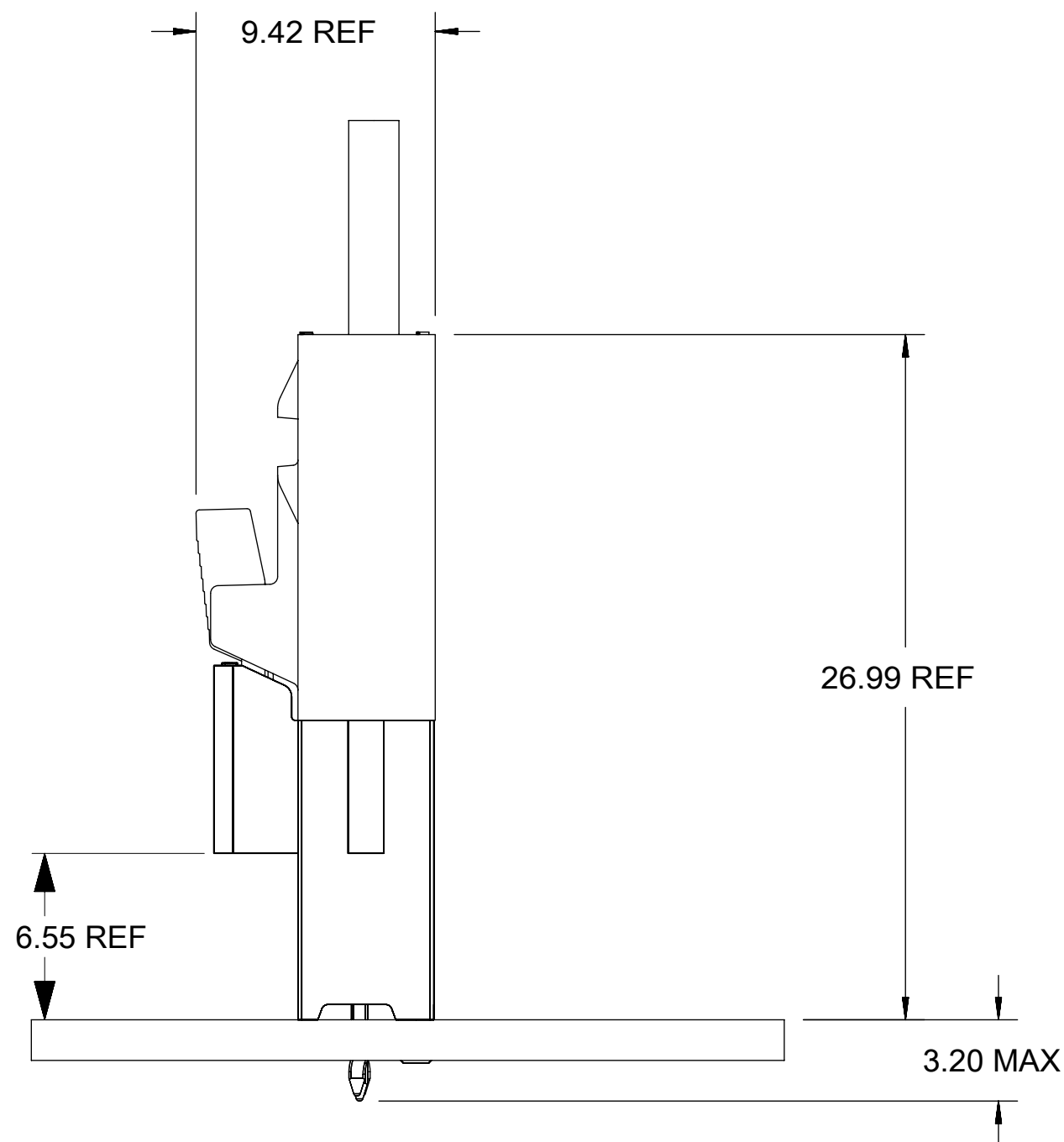
Email & Skype: info@chipsmall.com Web: www.chipsmall.com

Address: A1208, Overseas Decoration Building, #122 Zhenhua RD., Futian, Shenzhen, China





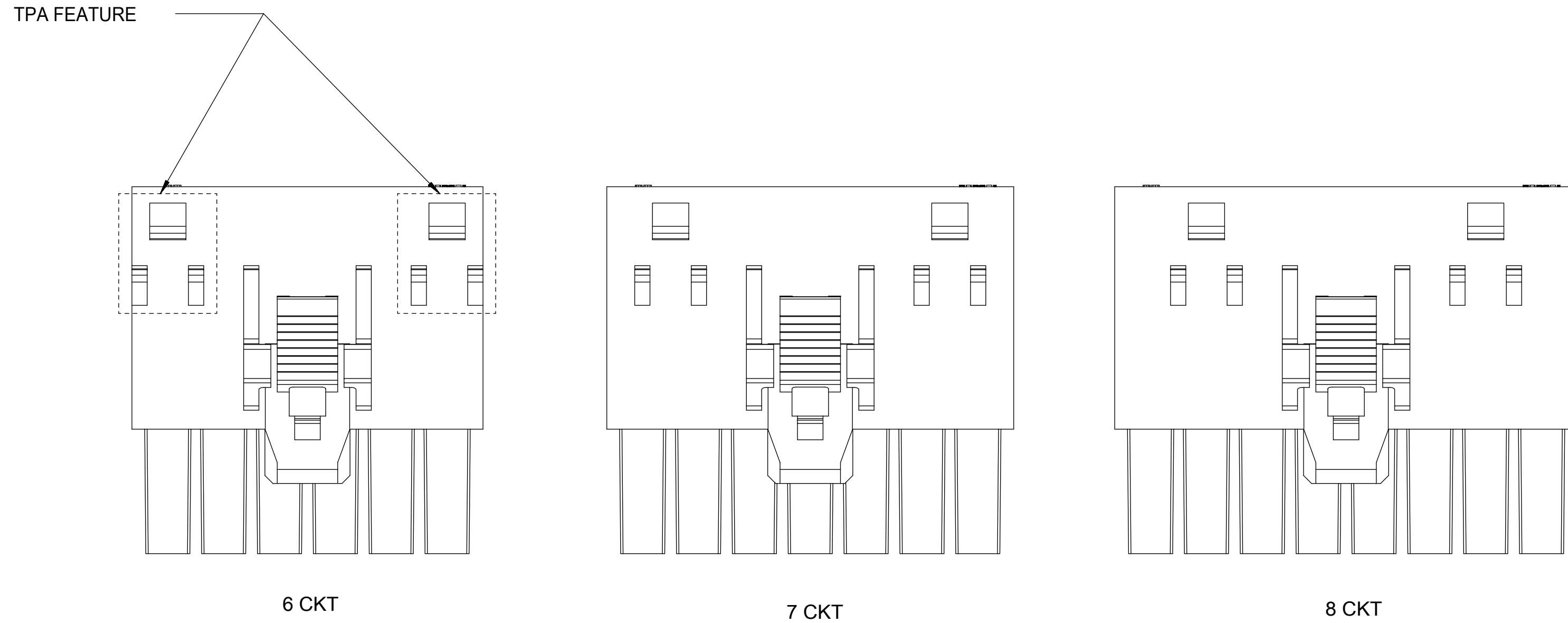
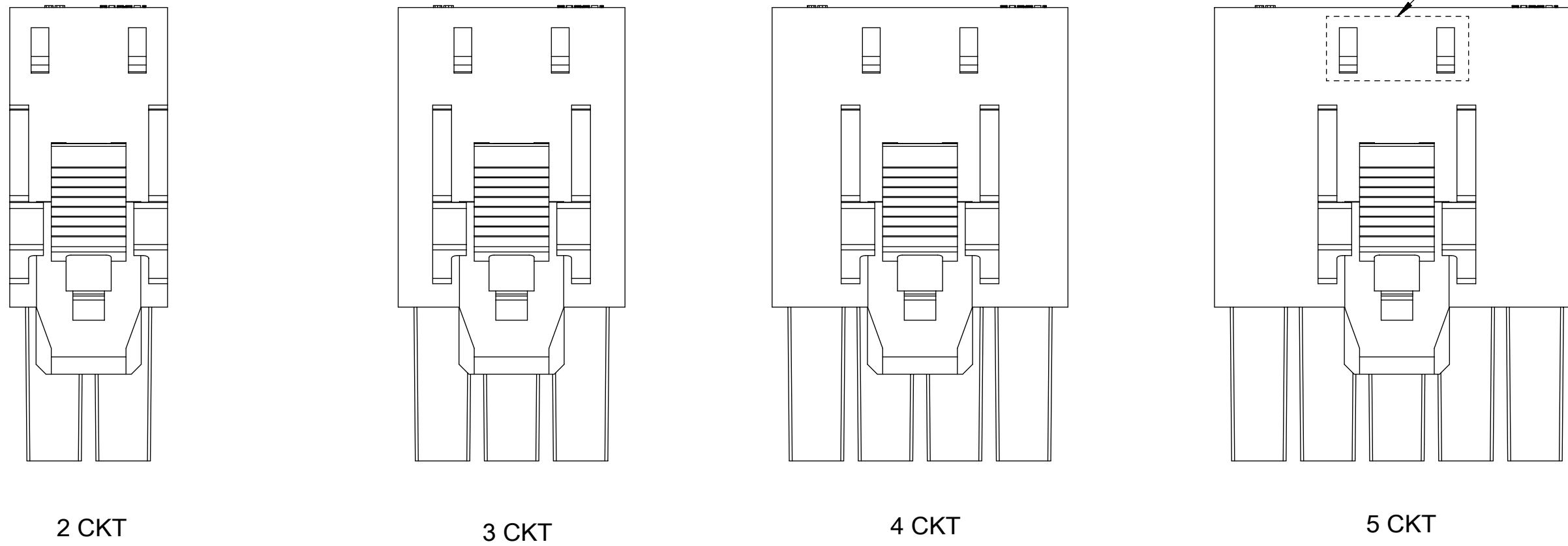
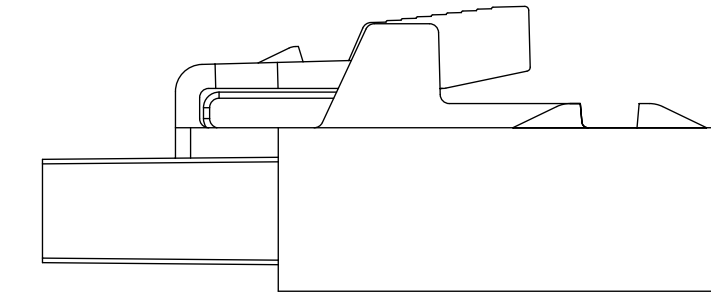
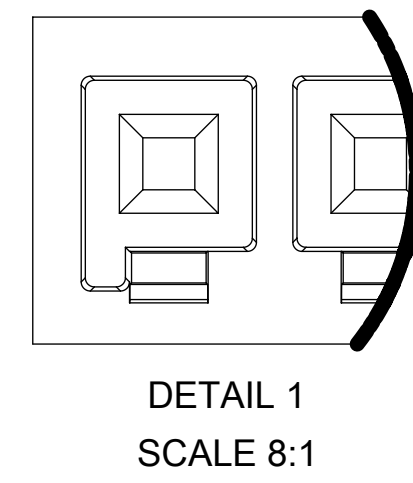
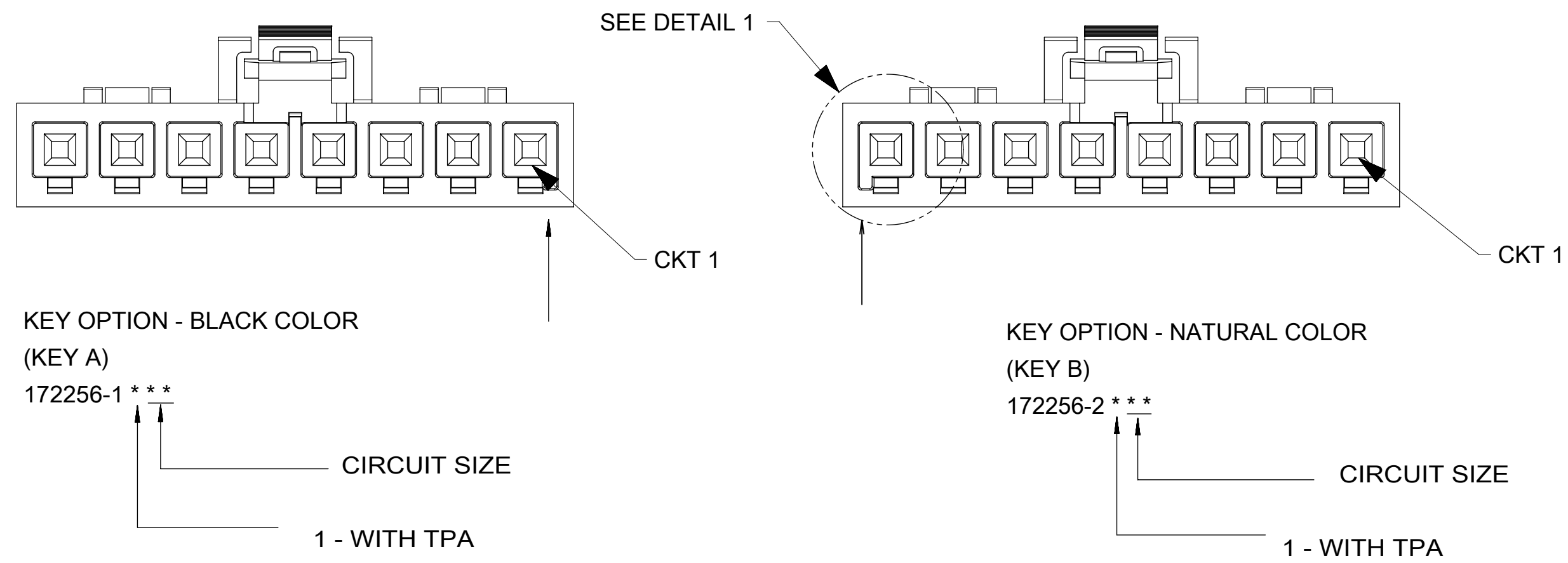
TERMINAL ORIENTATION



NOTES:

1. MATERIAL :
OPTION 1: NYLON UL94 V-O BLACK
OPTION 2: NYLON UL94 V-O NATURAL
2. PARTS TO BE PACKAGED PER PK-172323-0010
3. PRODUCT SPECIFICATION PS-172323-0001
4. PART MATES WITH MOLEX R/A HEADER ASSEMBLY 172310 AND VERTICAL HEADER ASSEMBLY 172286, 172287 SERIES.
5. TO USE WITH 172253 SERIES TERMINALS
6. TO USE WITH 172264 TPA
7. PARTS CONFORM TO CLASS "B" REQUIREMENTS OF COSMETIC SPECIFICATION PS-45499-002
8. APPLICATION SPECIFICATION AS-172323-0001

THIS DRAWING CONTAINS INFORMATION THAT IS PROPRIETARY TO MOLEX ELECTRONIC TECHNOLOGIES, LLC AND SHOULD NOT BE USED WITHOUT WRITTEN PERMISSION											
QUALITY SYMBOLS		2016/08/25		2016/03/31		GENERAL TOLERANCES (UNLESS SPECIFIED)		DIMENSION UNITS		SCALE	
▽ = 0	▽ = 0	▽ = 0	▽ = 0	▽ = 0	▽ = 0	▽ = 0	▽ = 0	MM	4:1		
▽ = 0	▽ = 0	▽ = 0	▽ = 0	▽ = 0	▽ = 0	▽ = 0	▽ = 0	DRWN BY		DATE	
▽ = 0	▽ = 0	▽ = 0	▽ = 0	▽ = 0	▽ = 0	▽ = 0	▽ = 0	DROSCA		2014/03/06	
▽ = 0	▽ = 0	▽ = 0	▽ = 0	▽ = 0	▽ = 0	▽ = 0	▽ = 0	CHKD BY		DATE	
▽ = 0	▽ = 0	▽ = 0	▽ = 0	▽ = 0	▽ = 0	▽ = 0	▽ = 0	APPR BY		DATE	
▽ = 0	▽ = 0	▽ = 0	▽ = 0	▽ = 0	▽ = 0	▽ = 0	▽ = 0	JCOMERCI		2014/04/24	
▽ = 0	▽ = 0	▽ = 0	▽ = 0	▽ = 0	▽ = 0	▽ = 0	▽ = 0	DRAWING SIZE		THIRD ANGLE PROJECTION	
▽ = 0	▽ = 0	▽ = 0	▽ = 0	▽ = 0	▽ = 0	▽ = 0	▽ = 0	D			
▽ = 0	▽ = 0	▽ = 0	▽ = 0	▽ = 0	▽ = 0	▽ = 0	▽ = 0	DRAFT WHERE APPLICABLE MUST REMAIN WITHIN DIMENSIONS			
EC NO: 107866		DRWN: PPEREZ03		CHKD: RHODGE		REV: APPR:		A8			
RELEASE STATUS		RELEASE DATE		SERIES		MATERIAL NUMBER		CUSTOMER		PRODUCT CUSTOMER DRAWING	
				172256				GENERAL MARKET			
				DOCUMENT NUMBER		DOC TYPE		DOC PART		SHEET NUMBER	
				SD-172256-0001		PSD		000		1 OF 2	



TPA LATCH OPTION

WITH TPA ATTACH FEATURE					
PART NO.	UL	COLOR	CIRCUIT SIZE	KEY OPTION	DIM B
172256-1102	V-0	BLACK	2	KEY A	8.00
172256-1103	V-0	BLACK	3	KEY A	11.50
172256-1104	V-0	BLACK	4	KEY A	15.00
172256-1105	V-0	BLACK	5	KEY A	18.50
172256-1106	V-0	BLACK	6	KEY A	22.00
172256-1107	V-0	BLACK	7	KEY A	25.50
172256-1108	V-0	BLACK	8	KEY A	29.00
172256-2102	V-0	NATURAL	2	KEY B	8.00
172256-2103	V-0	NATURAL	3	KEY B	11.50
172256-2104	V-0	NATURAL	4	KEY B	15.00
172256-2105	V-0	NATURAL	5	KEY B	18.50
172256-2106	V-0	NATURAL	6	KEY B	22.00
172256-2107	V-0	NATURAL	7	KEY B	25.50
172256-2108	V-0	NATURAL	8	KEY B	29.00

WITHOUT TPA ATTACH FEATURE					
PART NO.	UL	COLOR	CIRCUIT SIZE	KEY OPTION	DIM B
172256-1002	V-0	BLACK	2	KEY A	8.00
172256-1003	V-0	BLACK	3	KEY A	11.50
172256-1004	V-0	BLACK	4	KEY A	15.00
172256-1005	V-0	BLACK	5	KEY A	18.50
172256-1006	V-0	BLACK	6	KEY A	22.00
172256-1007	V-0	BLACK	7	KEY A	25.50
172256-1008	V-0	BLACK	8	KEY A	29.00
172256-2002	V-0	NATURAL	2	KEY B	8.00
172256-2003	V-0	NATURAL	3	KEY B	11.50
172256-2004	V-0	NATURAL	4	KEY B	15.00
172256-2005	V-0	NATURAL	5	KEY B	18.50
172256-2006	V-0	NATURAL	6	KEY B	22.00
172256-2007	V-0	NATURAL	7	KEY B	25.50
172256-2008	V-0	NATURAL	8	KEY B	29.00

QUALITY SYMBOLS F = 0 E = 0 D = 0 C = 0 B = 0 A = 0 0 = 0	THIS DRAWING CONTAINS INFORMATION THAT IS PROPRIETARY TO MOLEX ELECTRONIC TECHNOLOGIES, LLC AND SHOULD NOT BE USED WITHOUT WRITTEN PERMISSION					
	2016/08/25	2016/03/31	GENERAL TOLERANCES (UNLESS SPECIFIED)		DIMENSION UNITS	SCALE
	EC NO: 107866 DRWN: PPerez03 CHKD: REV APPR: RHODGE	ANGULAR TOL ± °		MM	4:1	
		4 PLACES ±	DRWN BY		DATE	
		3 PLACES ±	DROSCA		2014/03/06	
		2 PLACES ± 0.25	CHKD BY		DATE	
		1 PLACE ± 0.5	APPR BY		DATE	
	0 PLACES ±	JCOMERCI		2014/04/24		
	DRAFT WHERE APPLICABLE MUST REMAIN WITHIN DIMENSIONS		DRAWING SIZE	THIRD ANGLE PROJECTION		
			D			

ULTRA-FIT RECEPTACLE
2-8 CKTS SINGLE ROW

PRODUCT CUSTOMER DRAWING

SERIES: 172256 MATERIAL NUMBER: 000 CUSTOMER: GENERAL MARKET

DOCUMENT NUMBER: SD-172256-0001 DOC TYPE: PSD DOC PART: 000 SHEET NUMBER: 2 OF 2