



Chipsmall Limited consists of a professional team with an average of over 10 year of expertise in the distribution of electronic components. Based in Hongkong, we have already established firm and mutual-benefit business relationships with customers from,Europe,America and south Asia,supplying obsolete and hard-to-find components to meet their specific needs.

With the principle of “Quality Parts,Customers Priority,Honest Operation,and Considerate Service”,our business mainly focus on the distribution of electronic components. Line cards we deal with include Microchip,ALPS,ROHM,Xilinx,Pulse,ON,Everlight and Freescale. Main products comprise IC,Modules,Potentiometer,IC Socket,Relay,Connector.Our parts cover such applications as commercial,industrial, and automotives areas.

We are looking forward to setting up business relationship with you and hope to provide you with the best service and solution. Let us make a better world for our industry!



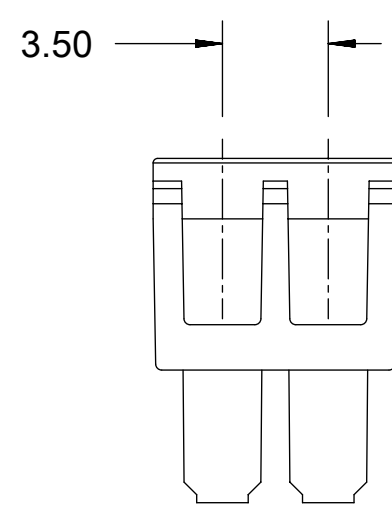
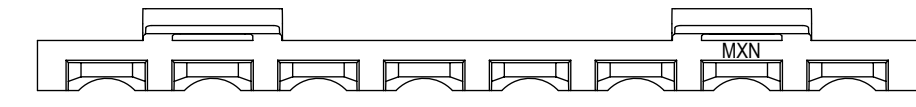
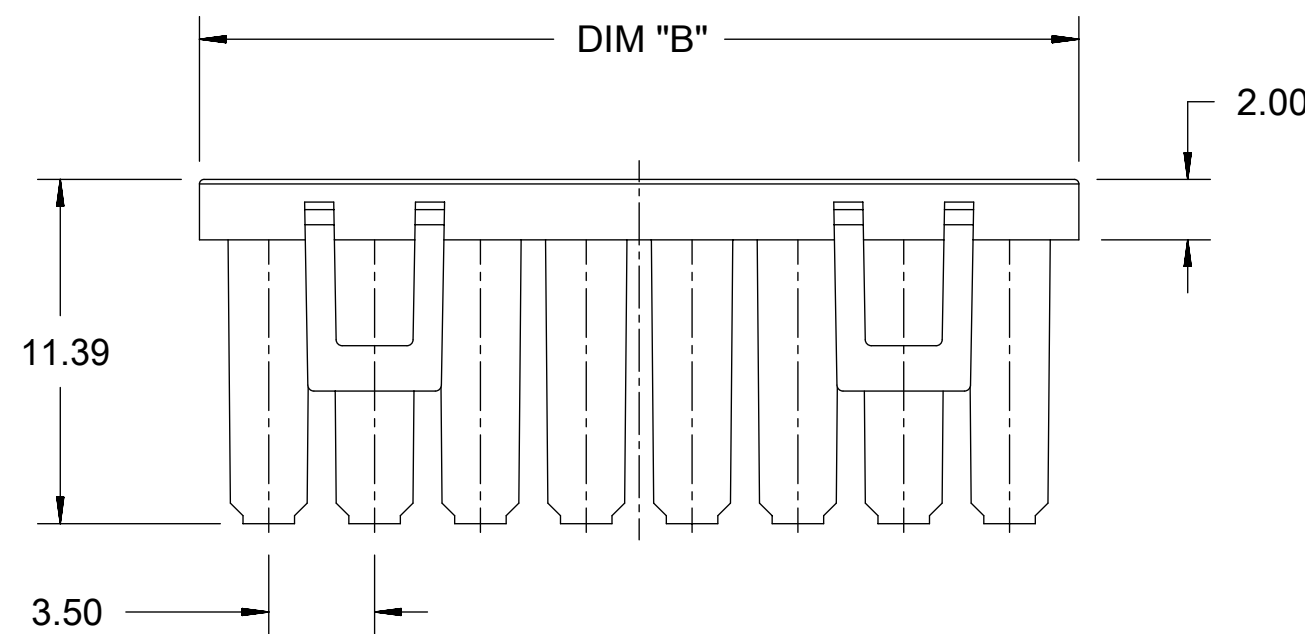
Contact us

Tel: +86-755-8981 8866 Fax: +86-755-8427 6832

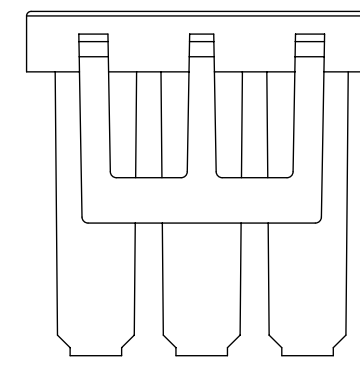
Email & Skype: info@chipsmall.com Web: www.chipsmall.com

Address: A1208, Overseas Decoration Building, #122 Zhenhua RD., Futian, Shenzhen, China

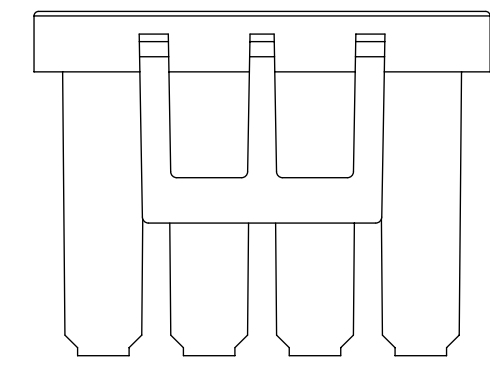




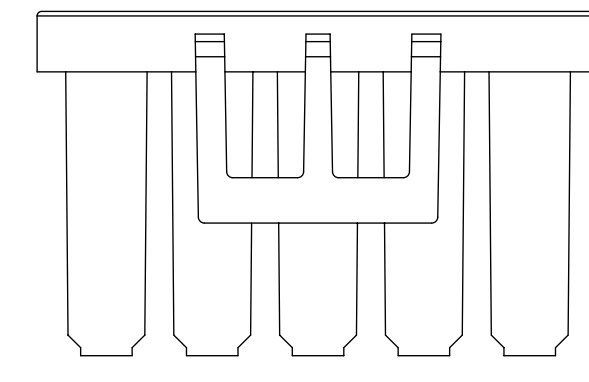
2 CKT



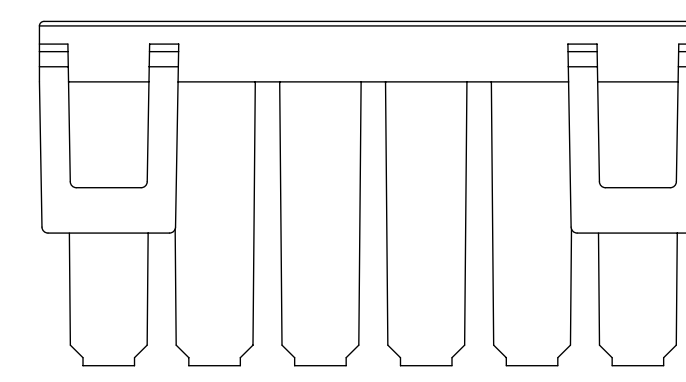
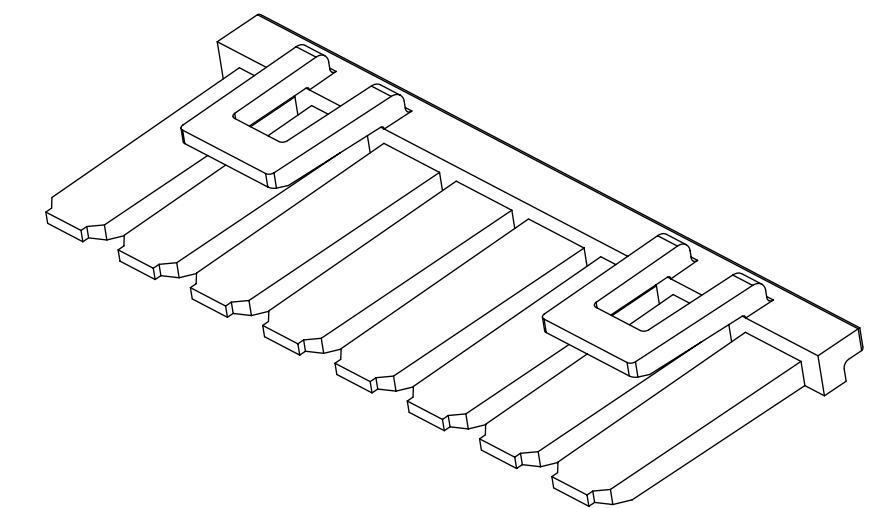
3 CKT



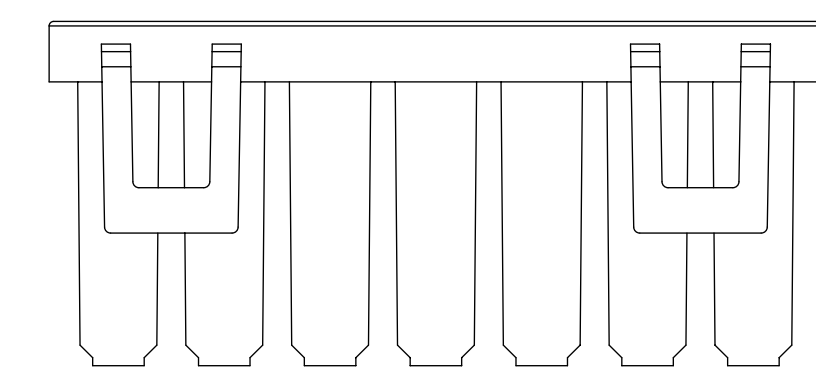
4 CKT



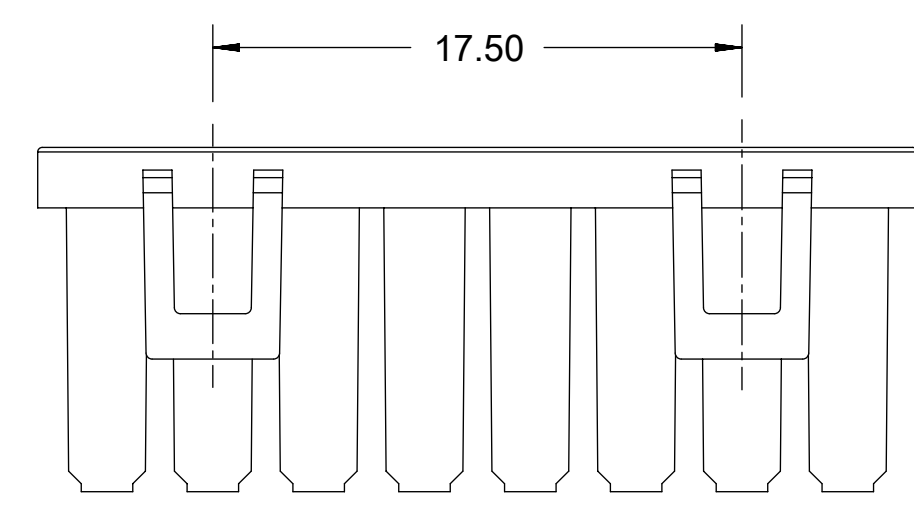
5 CKT



6 CKT



7 CKT



8 CKT

TPA

NOTES:

- MATERIAL :
OPTION 1: NYLON UL94 V-O, BLACK
OPTION 2: NYLON UL94 V-O, NATURAL
- PARTS TO BE PACKAGED PER PK-172323-0009
- PRODUCT SPECIFICATION PS-172323-0001
- PART USED WITH MOLEX RECEPTACLE HOUSING
172256 AND 172258
- REFER TO AS-45499-001 FOR MOISTURING NYLON CONNECTOR PARTS
- PARTS CONFORM TO CLASS "B" REQUIREMENTS OF COSMETIC SPECIFICATION PS-45499-002
- APPLICATION SPECIFICATION: AS-172323-0001
- MOLEX RECOMMENDS USING A NATURAL COLOR TPA FOR BLACK COLOR HOUSING AND A BLACK COLORED TPA FOR NATURAL COLORES HOUSINGS TO AID INSPECTION AFTER ASSEMBLY.

PART NO.	UL	COLOR	CIRCUIT SIZE	DIM B
172264-1002	V-0	BLACK	2	8.08
172264-1003	V-0	BLACK	3	11.58
172264-1004	V-0	BLACK	4	15.08
172264-1005	V-0	BLACK	5	18.58
172264-1006	V-0	BLACK	6	22.08
172264-1007	V-0	BLACK	7	25.58
172264-1008	V-0	BLACK	8	29.20
172264-2002	V-0	NATURAL	2	8.08
172264-2003	V-0	NATURAL	3	11.58
172264-2004	V-0	NATURAL	4	15.08
172264-2005	V-0	NATURAL	5	18.58
172264-2006	V-0	NATURAL	6	22.08
172264-2007	V-0	NATURAL	7	25.58
172264-2008	V-0	NATURAL	8	29.20

QUALITY SYMBOLS □ = 0 ▽ = 0 ▽ = 0 ▽ = 0 ▽ = 0 ▽ = 0 ▽ = 0 ▽ = 0 ▽ = 0 ▽ = 0 ▽ = 0	THIS DRAWING CONTAINS INFORMATION THAT IS PROPRIETARY TO MOLEX ELECTRONIC TECHNOLOGIES, LLC AND SHOULD NOT BE USED WITHOUT WRITTEN PERMISSION				DIMENSION UNITS: MM SCALE: 4:1		 ULTRA-FIT TPA		
	EC NO: 103949 DRWN: PPerez03 CHKD: REV/ APPR: RHODGE	2016/03/31 2016/03/31	GENERAL TOLERANCES (UNLESS SPECIFIED) ANGULAR TOL ± °		DRWN BY: DROSCA DATE: 2014/04/10	CHKD BY: _____ DATE: _____			
	4 PLACES ± 3 PLACES ± 2 PLACES ± 0.25 1 PLACE ± 0.5 0 PLACES ±		DRAFT WHERE APPLICABLE MUST REMAIN WITHIN DIMENSIONS		APPR BY: JCOMERCI DATE: 2014/04/24	DRAWING SIZE: D THIRD ANGLE PROJECTION	DOCUMENT NUMBER: SD-172264-0001 DOC TYPE: PSD DOC PART: 000 SHEET NUMBER: 1 OF 1		
	A5								

RELEASE STATUS	RELEASE DATE

