



Chipsmall Limited consists of a professional team with an average of over 10 year of expertise in the distribution of electronic components. Based in Hongkong, we have already established firm and mutual-benefit business relationships with customers from,Europe,America and south Asia,supplying obsolete and hard-to-find components to meet their specific needs.

With the principle of “Quality Parts,Customers Priority,Honest Operation,and Considerate Service”,our business mainly focus on the distribution of electronic components. Line cards we deal with include Microchip,ALPS,ROHM,Xilinx,Pulse,ON,Everlight and Freescale. Main products comprise IC,Modules,Potentiometer,IC Socket,Relay,Connector.Our parts cover such applications as commercial,industrial, and automotives areas.

We are looking forward to setting up business relationship with you and hope to provide you with the best service and solution. Let us make a better world for our industry!



## Contact us

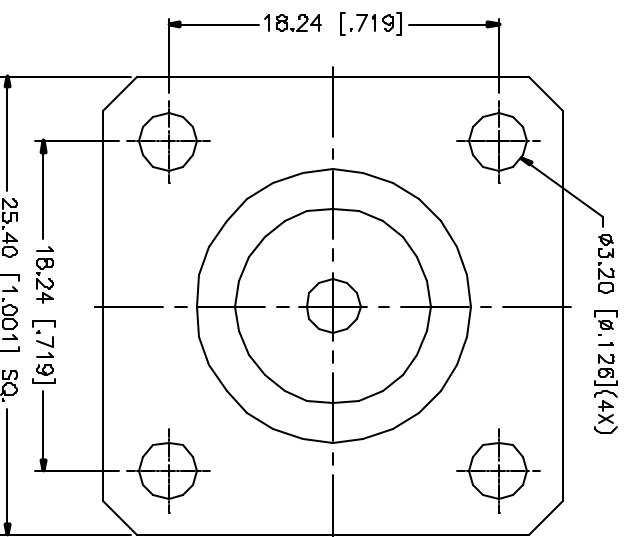
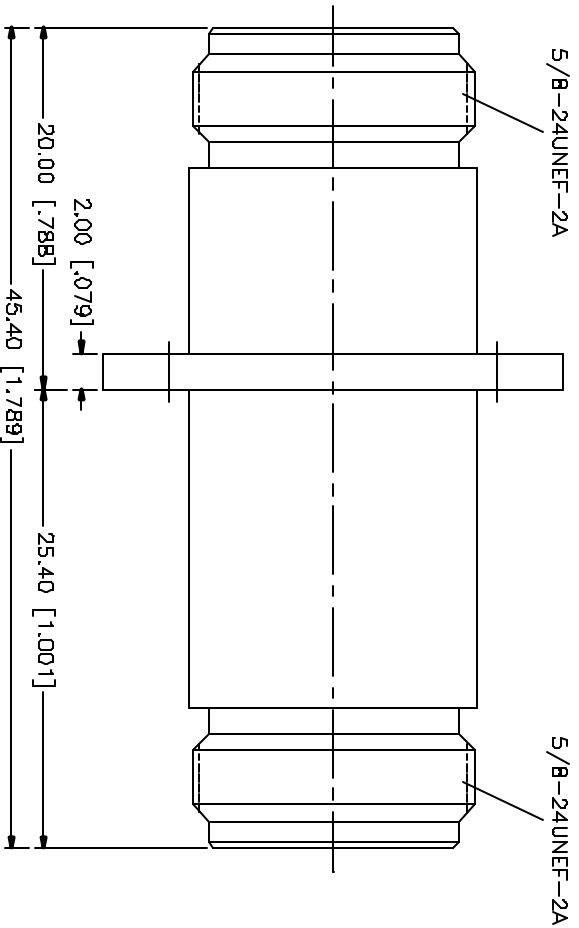
Tel: +86-755-8981 8866 Fax: +86-755-8427 6832

Email & Skype: info@chipsmall.com Web: www.chipsmall.com

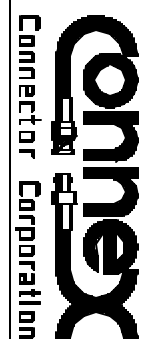
Address: A1208, Overseas Decoration Building, #122 Zhenhua RD., Futian, Shenzhen, China



REV.	DATE	DESCRIPTION
NC	10/03/01	INITIAL RELEASE



DESCRIPTION	MATERIAL	FINISH	UNLESS OTHERWISE SPECIFIED DIMENSIONS ARE IN MILLIMETERS	APPROVALS	DATE	TITLE
1 BODY W/PANEL	BRASS	NICKEL	DIMENSIONS IN [ ] ARE IN INCHES FOR CUSTOMER REFERENCE ONLY  UNLESS OTHERWISE SPECIFIED TOLERANCES FOR MILLIMETERS ARE: 0.5-5 = ± 0.2 6-30 = ± 0.4 30-120 = ± 0.6 120-315 = ± 1 315-1000 = ± 1.6 1000-2000 = ± 2.4	DRAWN	G.R.S.	10/03/01
2 INSULATOR	TEFLON	NATURAL		CHECKED		
3 CONTACT PIN	PHOS. BRONZE	GOLD		ISSUED		
4						
5						
6						
7						
8						



**Comnex**  
Connector Corporation

SIZE	PANEL NO.	DWG. NO.	REV.
A	99001	172278-10.DWG	NC

SCALE	PART NO.	SHEET
NA	172278-10	1 OF 1

N PANEL JACK TO JACK ADAPTOR

DO NOT SCALE DRAWING