



Chipsmall Limited consists of a professional team with an average of over 10 year of expertise in the distribution of electronic components. Based in Hongkong, we have already established firm and mutual-benefit business relationships with customers from,Europe,America and south Asia,supplying obsolete and hard-to-find components to meet their specific needs.

With the principle of “Quality Parts,Customers Priority,Honest Operation,and Considerate Service”,our business mainly focus on the distribution of electronic components. Line cards we deal with include Microchip,ALPS,ROHM,Xilinx,Pulse,ON,Everlight and Freescale. Main products comprise IC,Modules,Potentiometer,IC Socket,Relay,Connector.Our parts cover such applications as commercial,industrial, and automotives areas.

We are looking forward to setting up business relationship with you and hope to provide you with the best service and solution. Let us make a better world for our industry!



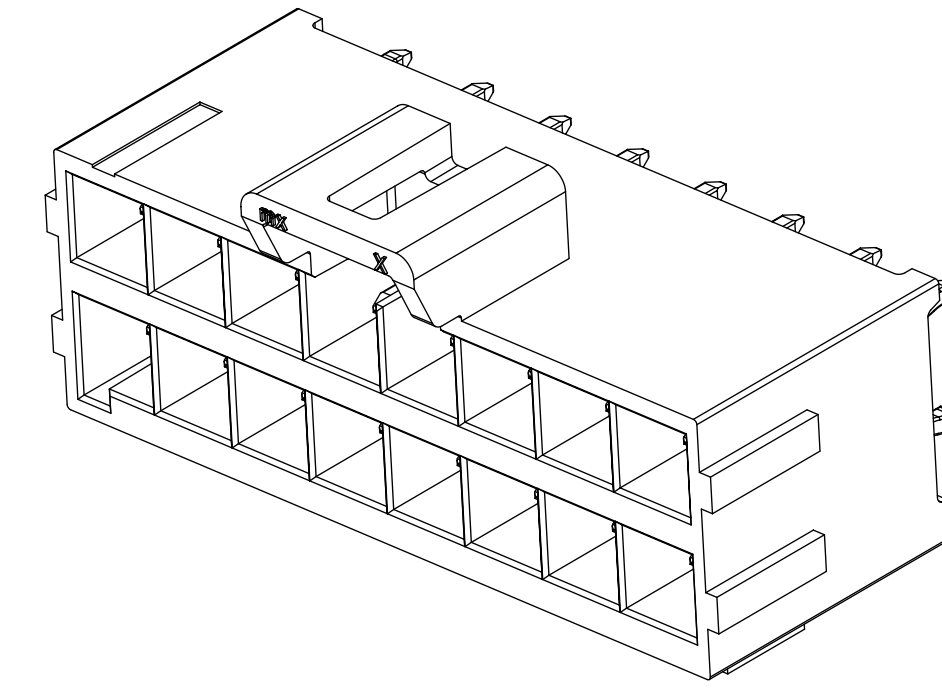
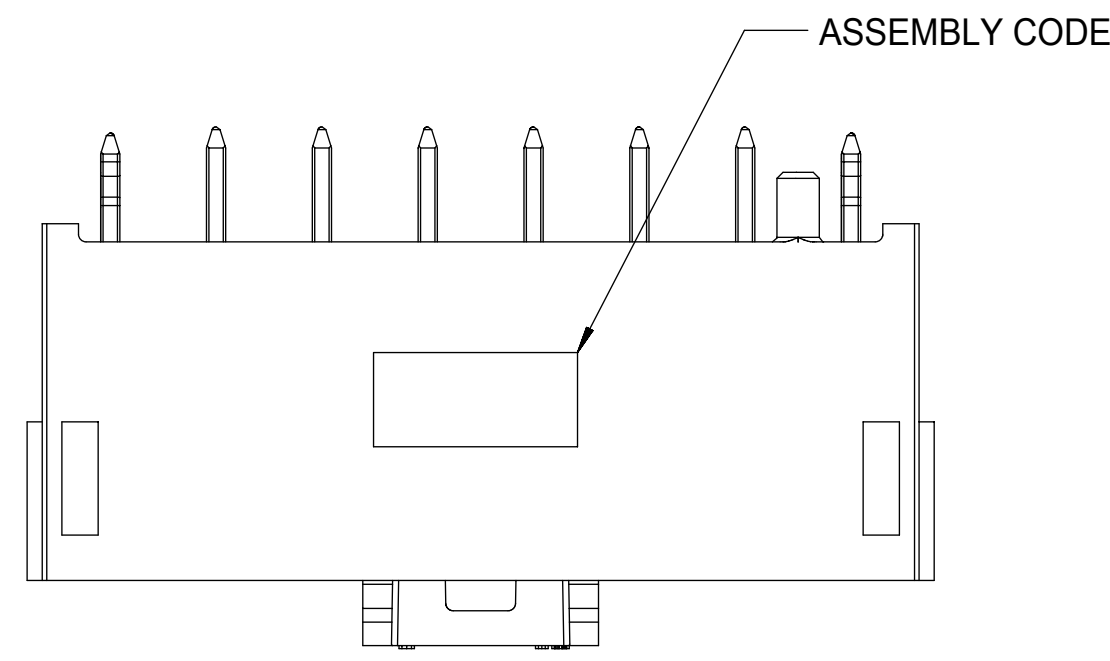
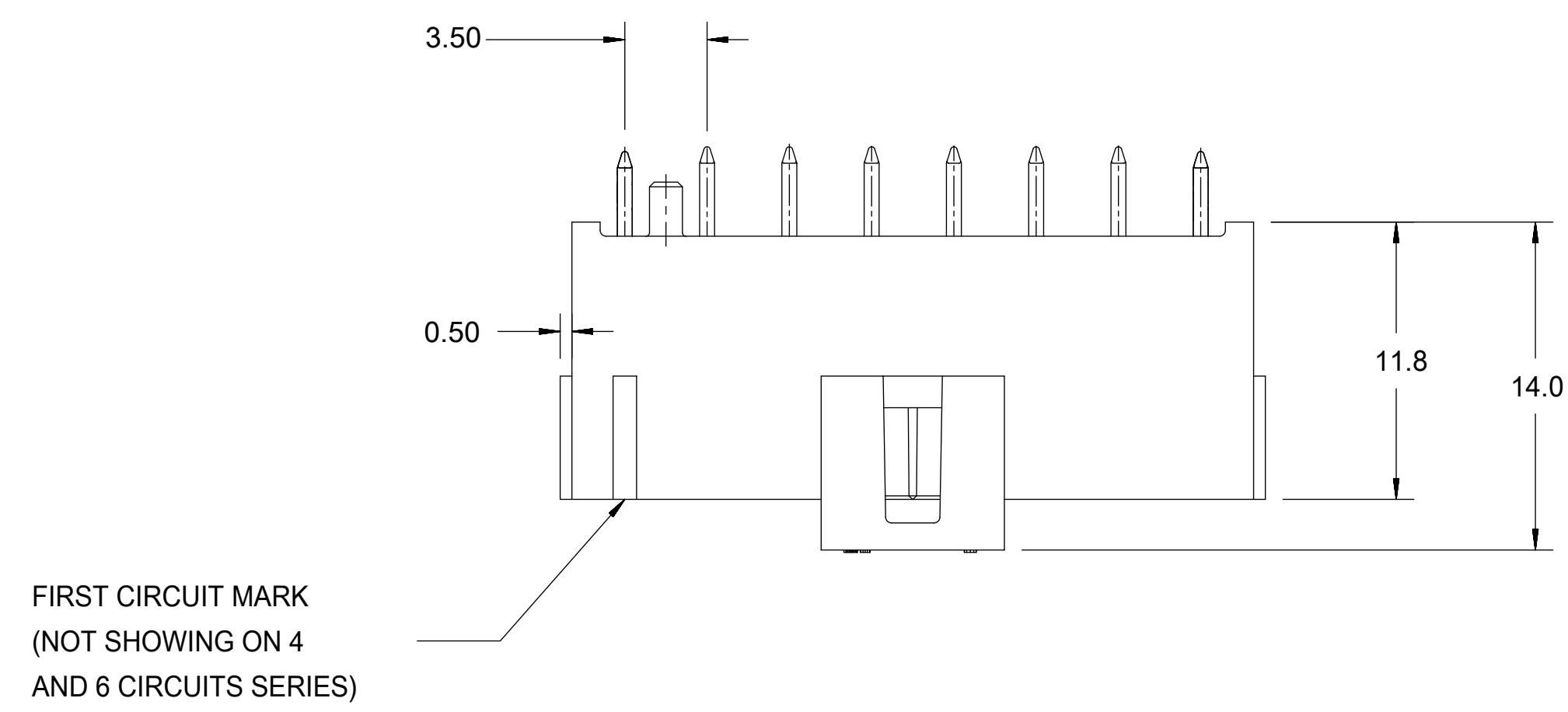
Contact us

Tel: +86-755-8981 8866 Fax: +86-755-8427 6832

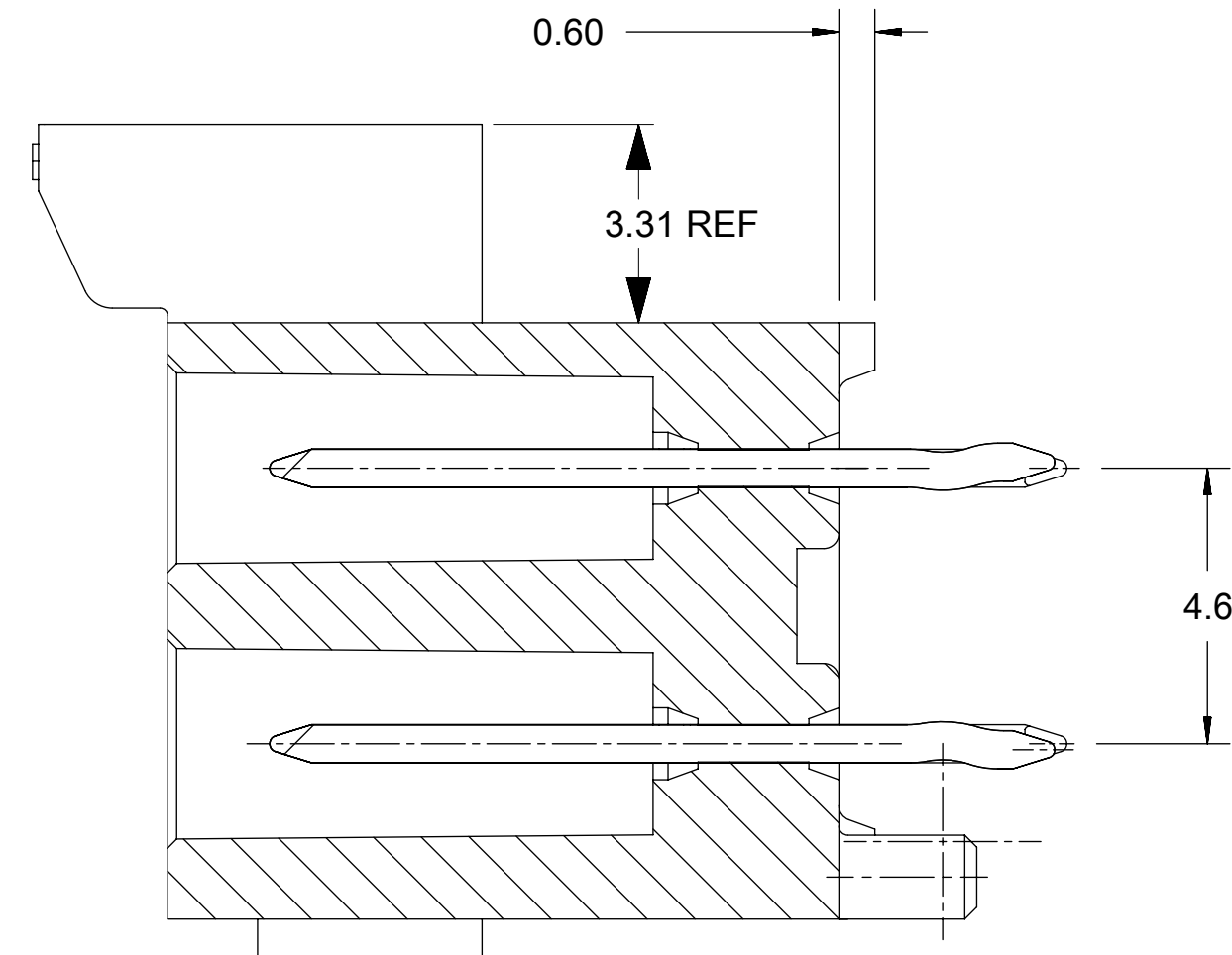
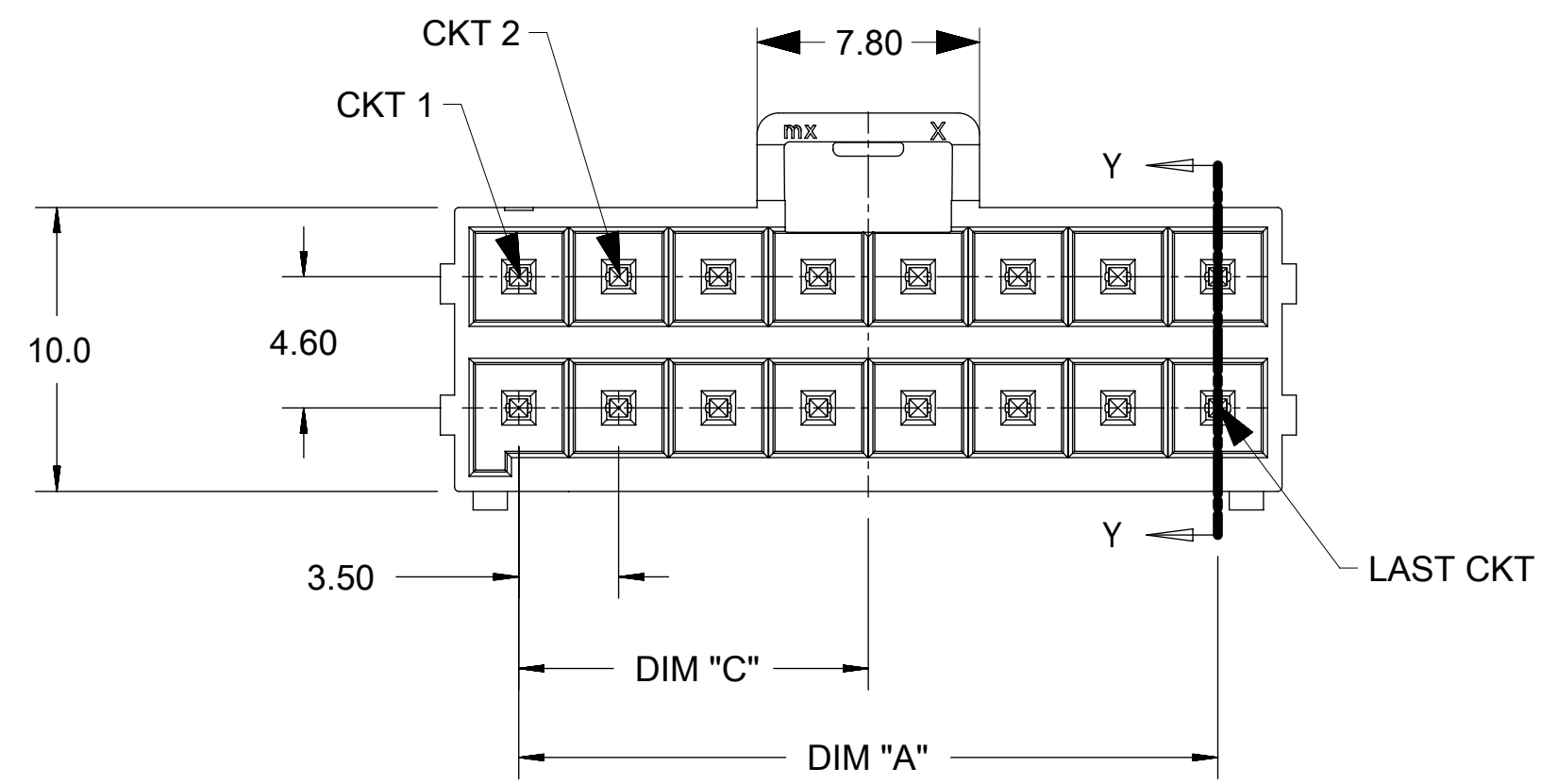
Email & Skype: info@chipsmall.com Web: www.chipsmall.com

Address: A1208, Overseas Decoration Building, #122 Zhenhua RD., Futian, Shenzhen, China

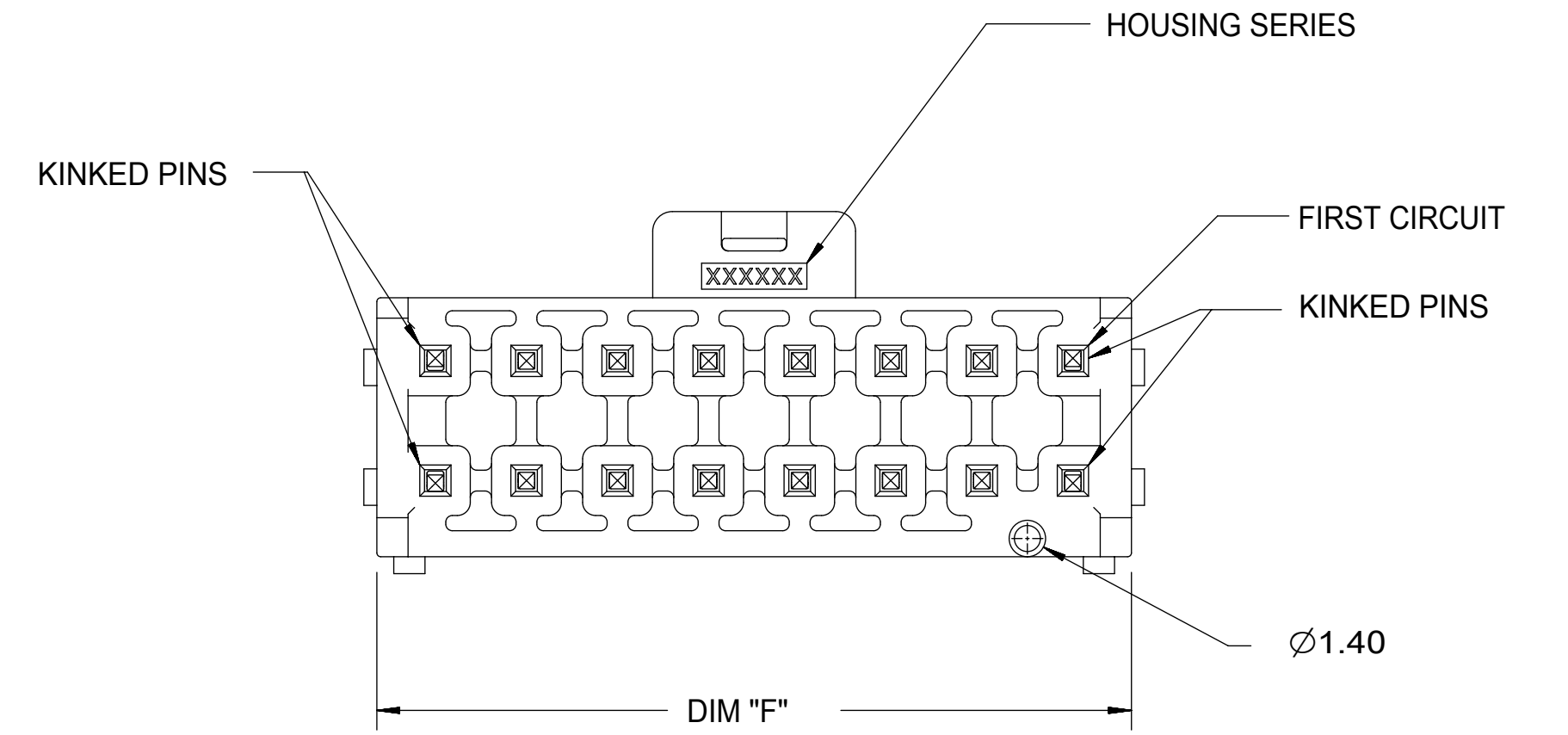




FIRST CIRCUIT MARK
(NOT SHOWING ON 4
AND 6 CIRCUITS SERIES)

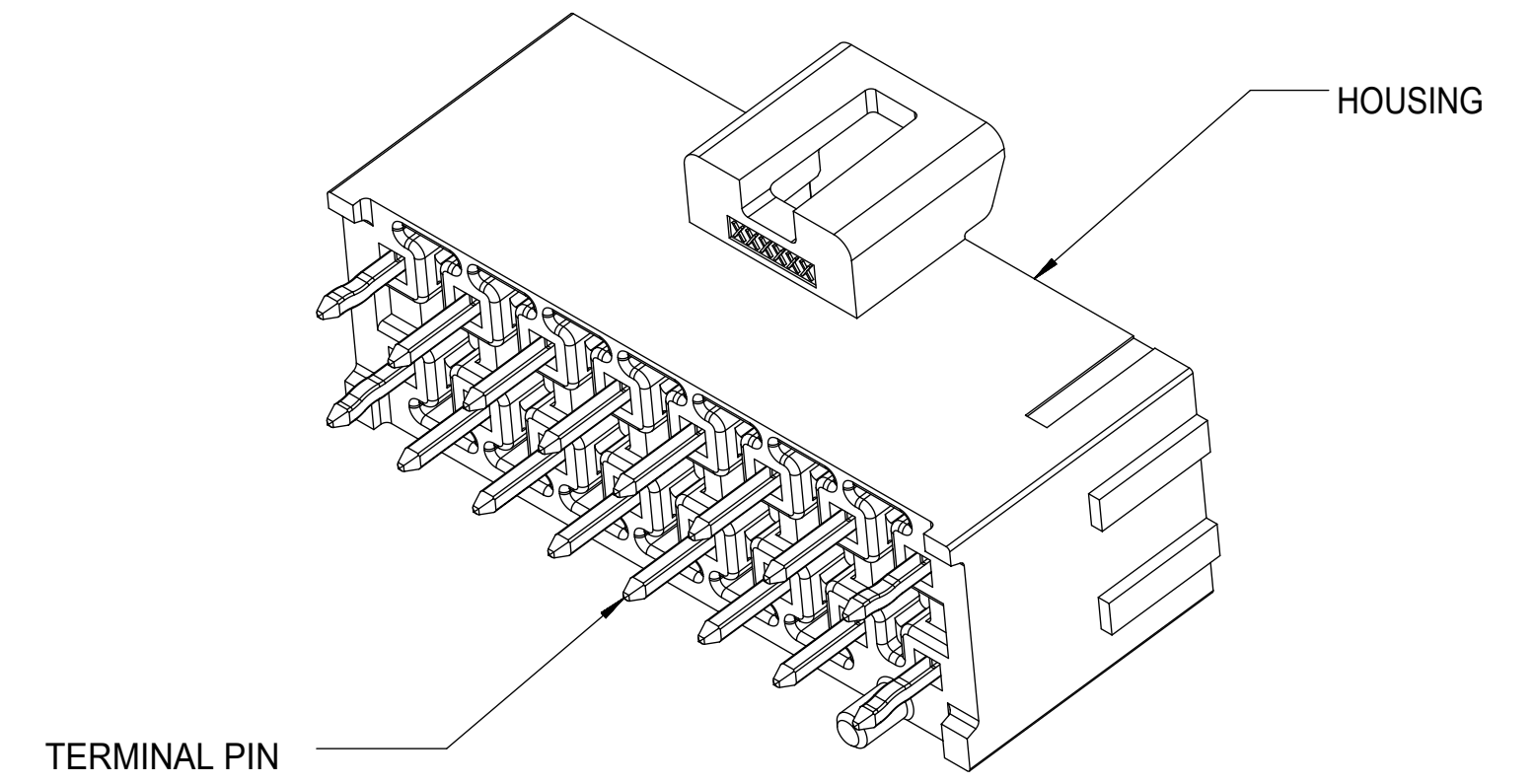
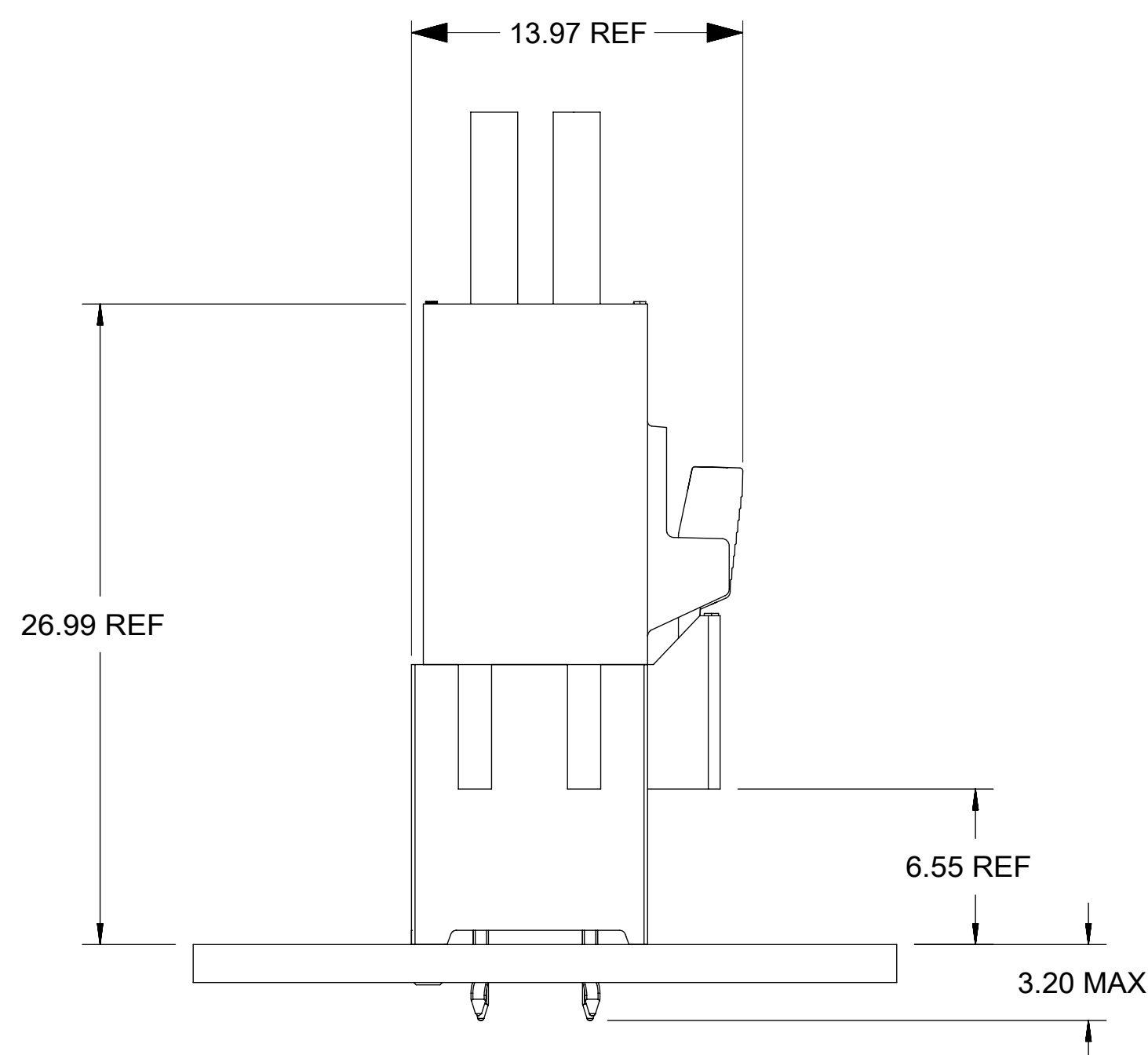


SECTION Y-Y
SCALE 8:1



NOTES:

- MATERIAL :
HOUSING
OPTION 1: LCP BLACK, UL94 V-0
OPTION 2: LCP NATURAL, UL94 V-0
TERMINAL: COPPER ALLOY
- PLATING FINISH:
OPTION 1 - 1.5µm(60µin)-2.5µm(100µin) TIN OVER
1.25µm(50µin)-2.5µm(100µin) NICKEL OVERALL
OPTION 2 - 0.35µm(15µin) GOLD CONTACT AREA,
1.5µm(60µin)-2.5µm(100µin) TIN TAIL AREA OVER
1.25µm(50µin)-2.5µm(100µin) NICKEL OVERALL
OPTION 3 - 0.70µm(30µin) GOLD CONTACT AREA,
1.5µm(60µin)-2.5µm(100µin) TIN TAIL AREA OVER
1.25µm(50µin)-2.5µm(100µin) NICKEL OVERALL
- PARTS TO BE PACKAGED PER PK-172298-9001
- PRODUCT SPECIFICATION PS-172323-0001
- PART MATES WITH MOLEX RECEPTACLE HOUSING
172258 AND 172262
- PART CONFORMS TO CLASS "C" REQUIREMENTS OF SPECIFICATION
PS-45499-002 WITH 0.13 MM MAXIMUM FLASH ALLOWED IN CORE
HOLES AND FRONT SURFACE.
- DISCOLORATION IN THE BANDOLIER AREA OF THE PIN IS
INHERENT TO THE PLATING PROCESS AND IS DUE TO THE MASKING
EFFECT OF THE CARRIER. THIS DISCOLORATION IS IN A NON-FUNCTIONAL
AREA OF THE PIN AND WILL NOT AFFECT THE PERFORMANCE OF THE
HEADER ASSEMBLY.
- APPLICATION SPECIFICATION: AS-172323-0001



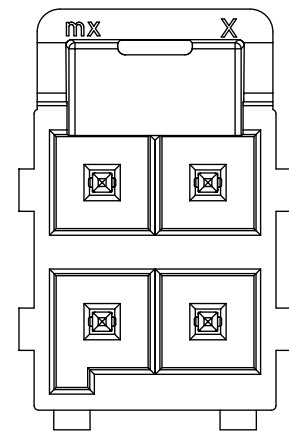
THIS DRAWING CONTAINS INFORMATION THAT IS PROPRIETARY TO MOLEX ELECTRONIC TECHNOLOGIES, LLC AND SHOULD NOT BE USED WITHOUT WRITTEN PERMISSION											
QUALITY SYMBOLS	GENERAL TOLERANCES (UNLESS SPECIFIED)				DIMENSION UNITS	SCALE					
F = 0 E = 0 D = 0 C = 0 B = 0 A = 0 □ = 0 ■ = 0 ▽ = 0	DRWN BY: DROSCA DATE: 2014/03/04 CHKD BY: JCOMERCI DATE: 2014/04/24				MM	4:1					
EC NO: 104752		DRWN: PPEREZ03		CHKD: RHODGE		APPR: JCOMERCI		DATE: 2014/04/24		SERIES: 172298	
REV: B6		APP: PPEREZ03		CHKD: RHODGE		APPR: JCOMERCI		DATE: 2014/04/24		MATERIAL NUMBER: SD-172298-1000	
DRAFT WHERE APPLICABLE MUST REMAIN WITHIN DIMENSIONS				DRAWING SIZE: D		THIRD ANGLE PROJECTION		DOC TYPE: PSD		DOC PART SHEET NUMBER: 000 1 OF 2	

molex

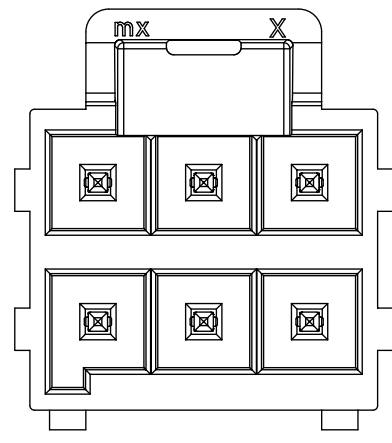
ULTRA-FIT VERT HEADER
4-16 CKTS DUAL ROW KINKED PINS

PRODUCT CUSTOMER DRAWING

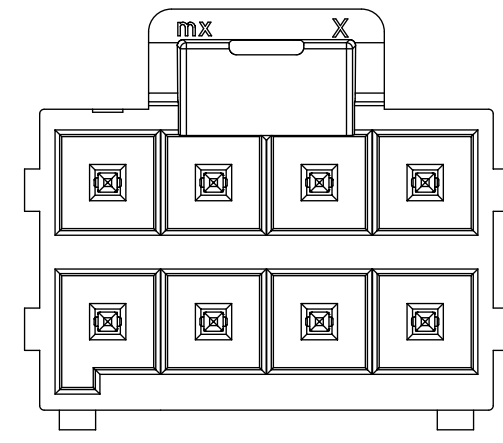
GENERAL MARKET



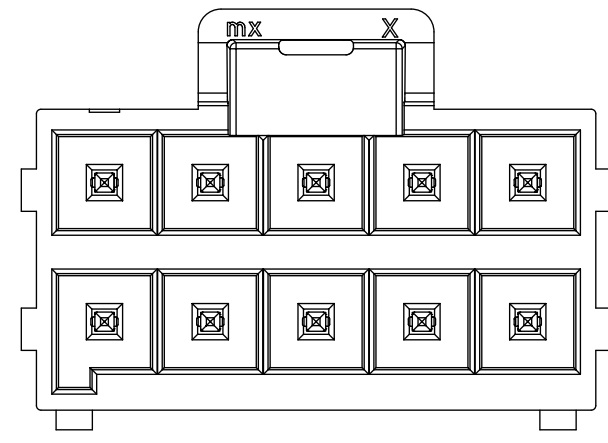
4 CKT



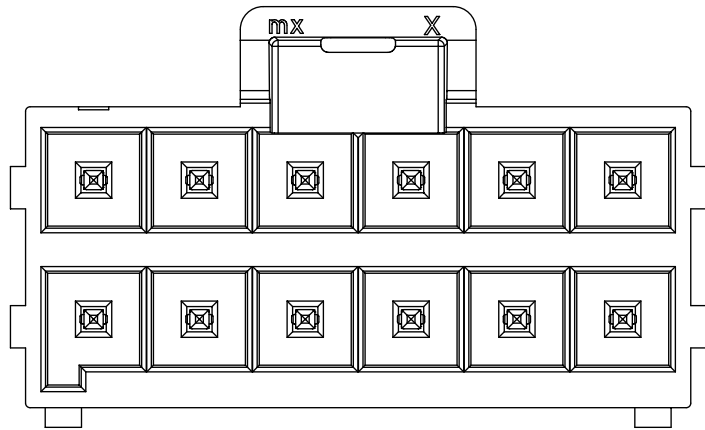
6 CKT



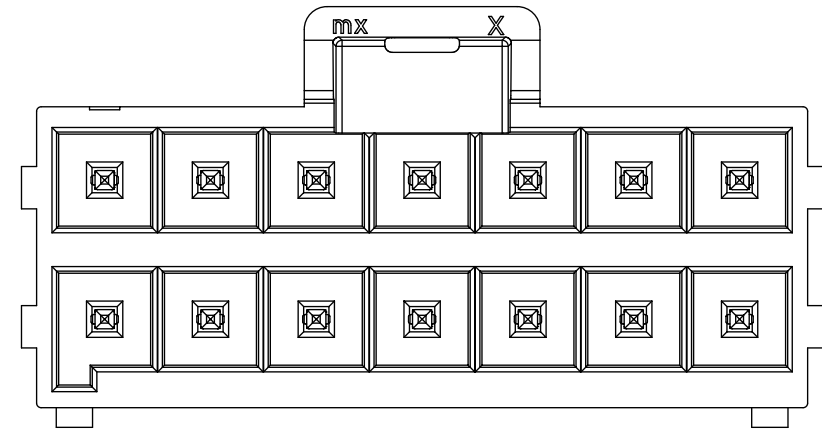
8 CKT



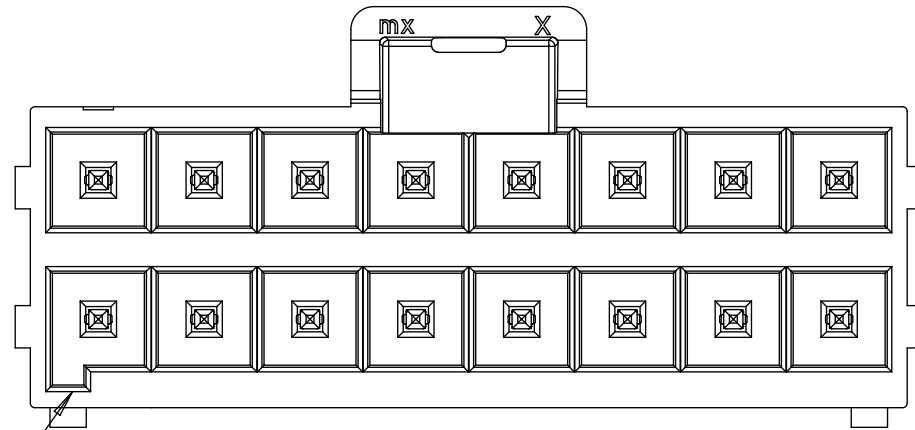
10 CKT



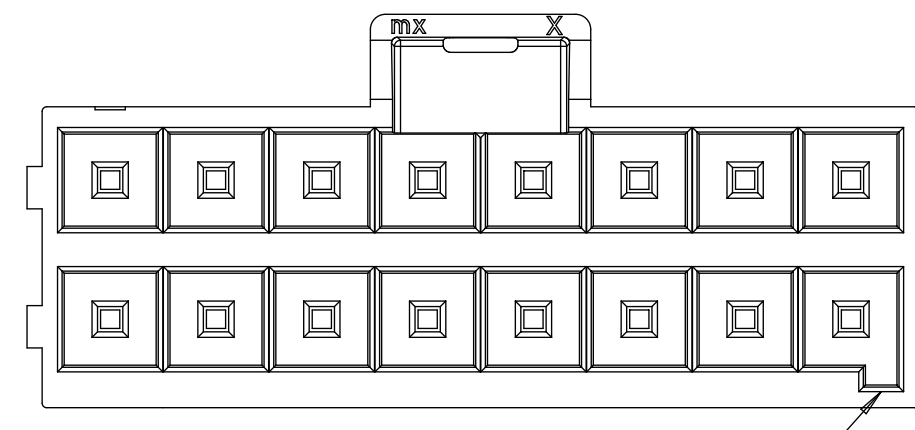
12 CKT



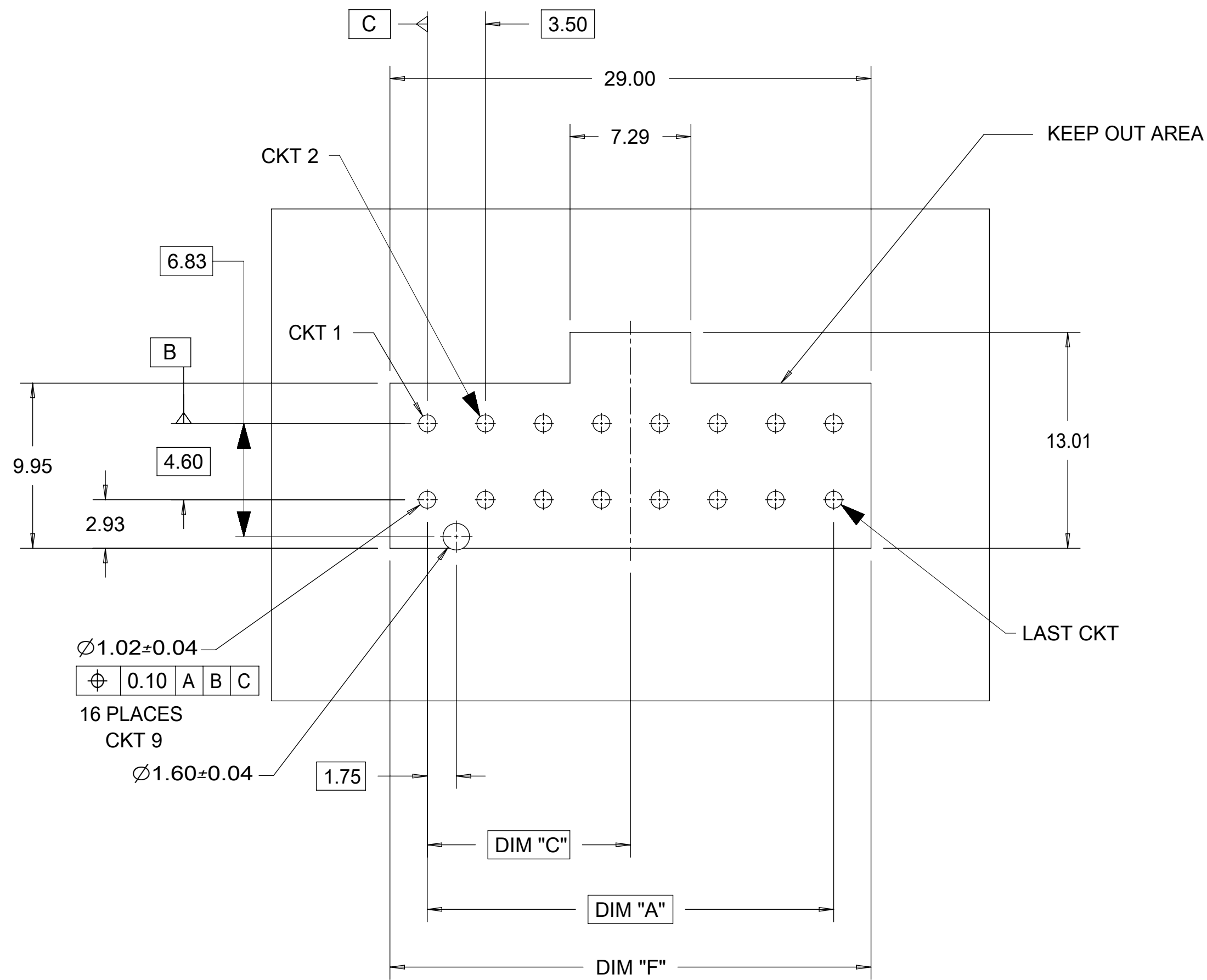
14 CKT



KEY A
(BLACK)



KEY B
(NATURAL)



NOTE: DATUM -A- IS ON PCB COMPONENT SIDE

TIN PLATING						
PART NO.	COLOR	CIRCUIT SIZE	KEY OPTION	DIM A	DIM F	DIM C
172298-1104	BLACK	4	KEY A	3.50	8.00	1.75
172298-1106	BLACK	6	KEY A	7.00	11.50	3.50
172298-1108	BLACK	8	KEY A	10.50	15.00	5.25
172298-1110	BLACK	10	KEY A	14.00	18.50	7.00
172298-1112	BLACK	12	KEY A	17.50	22.00	8.75
172298-1114	BLACK	14	KEY A	21.00	25.50	10.50
172298-1116	BLACK	16	KEY A	24.50	29.00	12.25
172298-2104	NATURAL	4	KEY B	3.50	8.00	1.75
172298-2106	NATURAL	6	KEY B	7.00	11.50	3.50
172298-2108	NATURAL	8	KEY B	10.50	15.00	5.25
172298-2110	NATURAL	10	KEY B	14.00	18.50	7.00
172298-2112	NATURAL	12	KEY B	17.50	22.00	8.75
172298-2114	NATURAL	14	KEY B	21.00	25.50	10.50
172298-2116	NATURAL	16	KEY B	24.50	29.00	12.25

15 MICROINCH GOLD PLATING						
PART NO.	COLOR	CIRCUIT SIZE	KEY OPTION	DIM A	DIM F	DIM C
172298-1204	BLACK	4	KEY A	3.50	8.00	1.75
172298-1206	BLACK	6	KEY A	7.00	11.50	3.50
172298-1208	BLACK	8	KEY A	10.50	15.00	5.25
172298-1210	BLACK	10	KEY A	14.00	18.50	7.00
172298-1212	BLACK	12	KEY A	17.50	22.00	8.75
172298-1214	BLACK	14	KEY A	21.00	25.50	10.50
172298-1216	BLACK	16	KEY A	24.50	29.00	12.25
172298-2204	NATURAL	4	KEY B	3.50	8.00	1.75
172298-2206	NATURAL	6	KEY B	7.00	11.50	3.50
172298-2208	NATURAL	8	KEY B	10.50	15.00	5.25
172298-2210	NATURAL	10	KEY B	14.00	18.50	7.00
172298-2212	NATURAL	12	KEY B	17.50	22.00	8.75
172298-2214	NATURAL	14	KEY B	21.00	25.50	10.50
172298-2216	NATURAL	16	KEY B	24.50	29.00	12.25

30 MICROINCH GOLD PLATING						
PART NO.	COLOR	CIRCUIT SIZE	KEY OPTION	DIM A	DIM F	DIM C
172298-1304	BLACK	4	KEY A	3.50	8.00	1.75
172298-1306	BLACK	6	KEY A	7.00	11.50	3.50
172298-1308	BLACK	8	KEY A	10.50	15.00	5.25
172298-1310	BLACK	10	KEY A	14.00	18.50	7.00
172298-1312	BLACK	12	KEY A	17.50	22.00	8.75
172298-1314	BLACK	14	KEY A	21.00	25.50	10.50
172298-1316	BLACK	16	KEY A	24.50	29.00	12.25
172298-2304	NATURAL	4	KEY B	3.50	8.00	1.75
172298-2306	NATURAL	6	KEY B	7.00	11.50	3.50
172298-2308	NATURAL	8	KEY B	10.50	15.00	5.25
172298-2310	NATURAL	10	KEY B	14.00	18.50	7.00
172298-2312	NATURAL	12	KEY B	17.50	22.00	8.75
172298-2314	NATURAL	14	KEY B	21.00	25.50	10.50
172298-2316	NATURAL	16	KEY B	24.50	29.00	12.25

QUALITY SYMBOLS F = 0 E = 0 D = 0 C = 0 B = 0 A = 0 0 PLACES ± DRAFT WHERE APPLICABLE MUST REMAIN WITHIN DIMENSIONS	THIS DRAWING CONTAINS INFORMATION THAT IS PROPRIETARY TO MOLEX ELECTRONIC TECHNOLOGIES, LLC AND SHOULD NOT BE USED WITHOUT WRITTEN PERMISSION		DIMENSION UNITS: MM SCALE: 4:1		 ULTRA-FIT VERT HEADER 4-16 CKTS DUAL ROW KINKED PINS PRODUCT CUSTOMER DRAWING	
	EC NO: 104752 DRWN: PPerez03 CHKD: REV APPR: RHODGE	2016/04/28 2016/03/30	GENERAL TOLERANCES (UNLESS SPECIFIED) ANGULAR TOL ± ° 4 PLACES ± 3 PLACES ± 2 PLACES ± 0.25 1 PLACE ± 0.5 0 PLACES ±	DRWN BY: DROSCA DATE: 2014/03/04 CHKD BY: DATE: APPR BY: JCOMERCI DATE: 2014/04/24		SERIES: 172298 MATERIAL NUMBER: CUSTOMER: GENERAL MARKET
	DIM "C" = 3.50 DIM "A" = 29.00 DIM "F" = 7.29		DRAFTING SIZE: D THIRD ANGLE PROJECTION	DOCUMENT NUMBER: SD-172298-1000 DOC TYPE: PSD DOC PART SHEET NUMBER: 000 2 OF 2		
	16 PLACES CKT 9 Ø 1.02±0.04 Ø 1.60±0.04		KEEP OUT AREA LAST CKT			