



Chipsmall Limited consists of a professional team with an average of over 10 year of expertise in the distribution of electronic components. Based in Hongkong, we have already established firm and mutual-benefit business relationships with customers from,Europe,America and south Asia,supplying obsolete and hard-to-find components to meet their specific needs.

With the principle of “Quality Parts,Customers Priority,Honest Operation,and Considerate Service”,our business mainly focus on the distribution of electronic components. Line cards we deal with include Microchip,ALPS,ROHM,Xilinx,Pulse,ON,Everlight and Freescale. Main products comprise IC,Modules,Potentiometer,IC Socket,Relay,Connector.Our parts cover such applications as commercial,industrial, and automotives areas.

We are looking forward to setting up business relationship with you and hope to provide you with the best service and solution. Let us make a better world for our industry!



Contact us

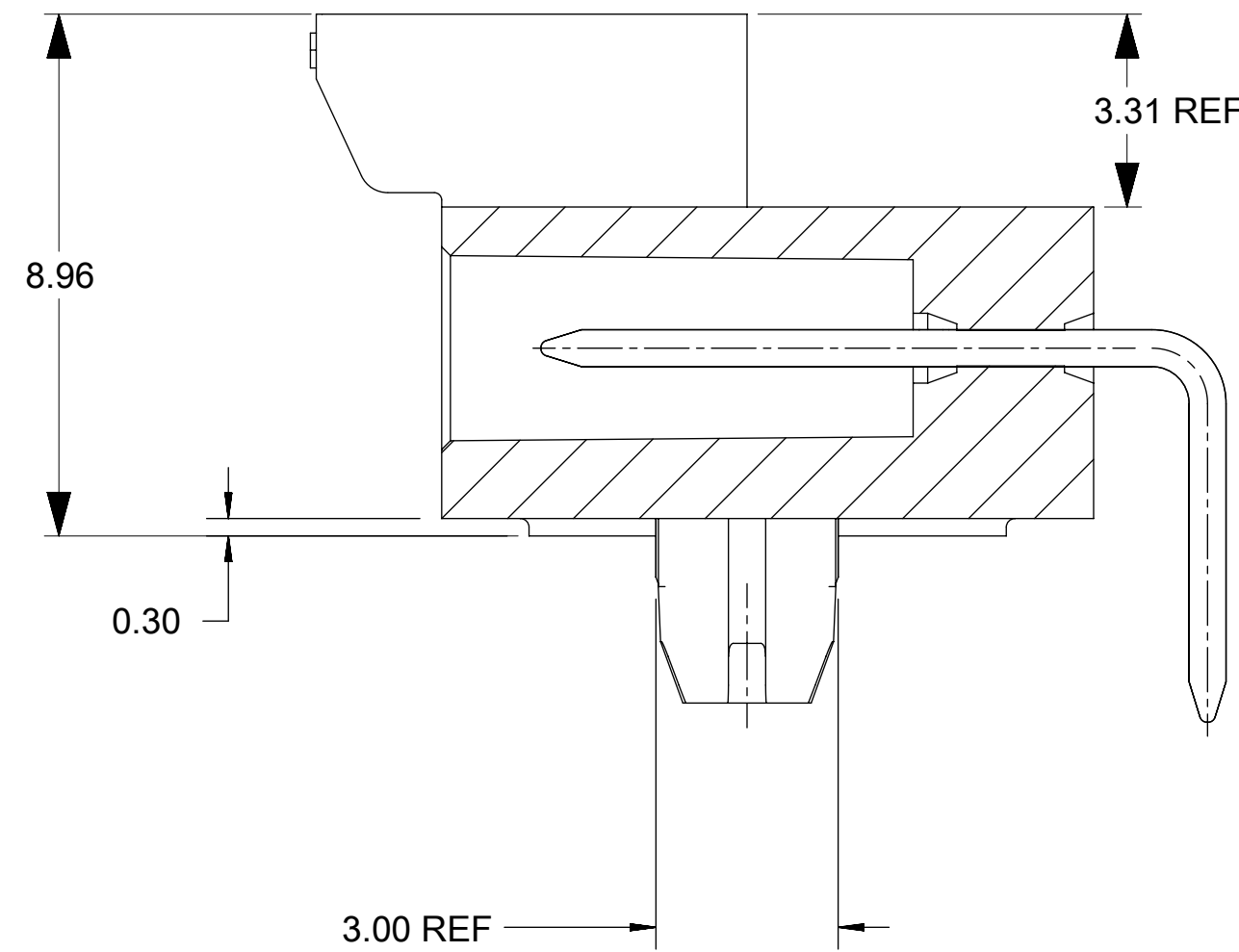
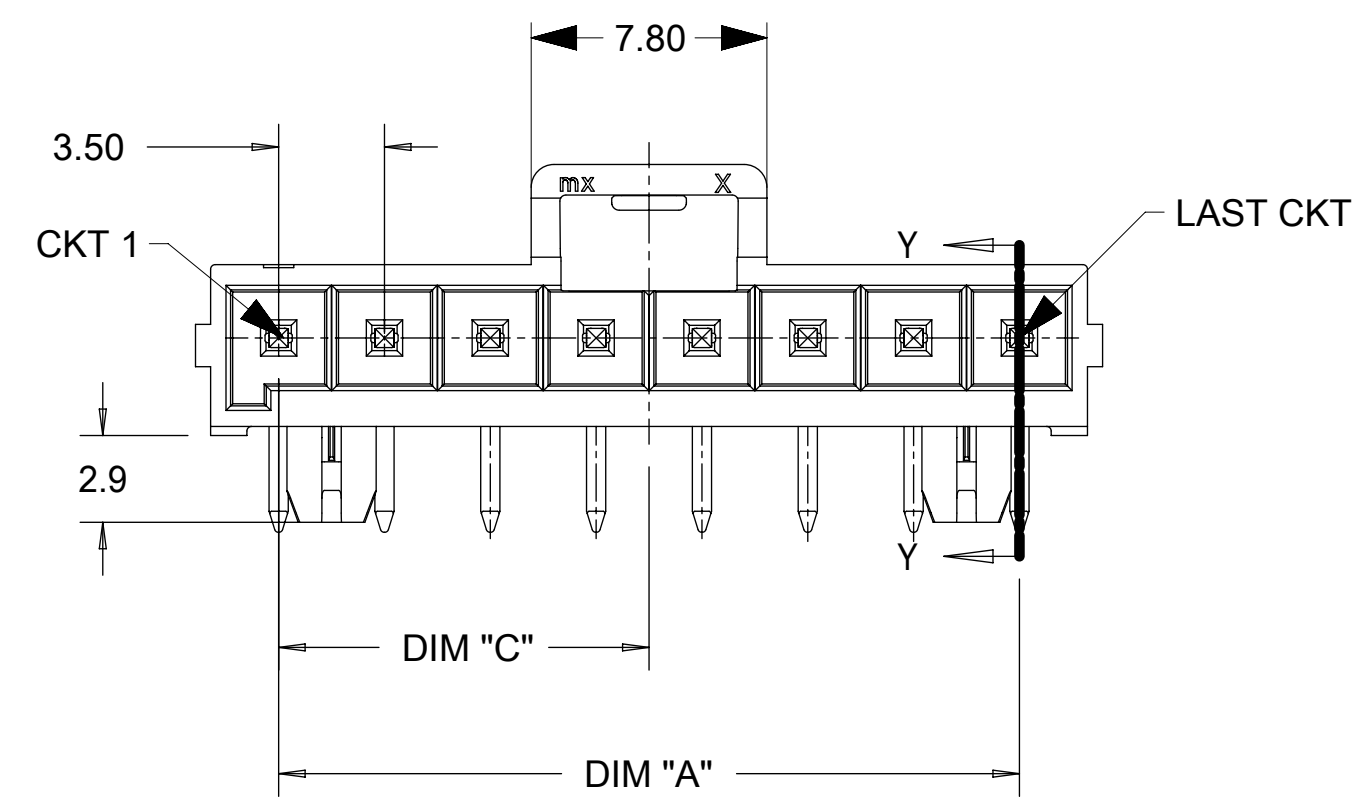
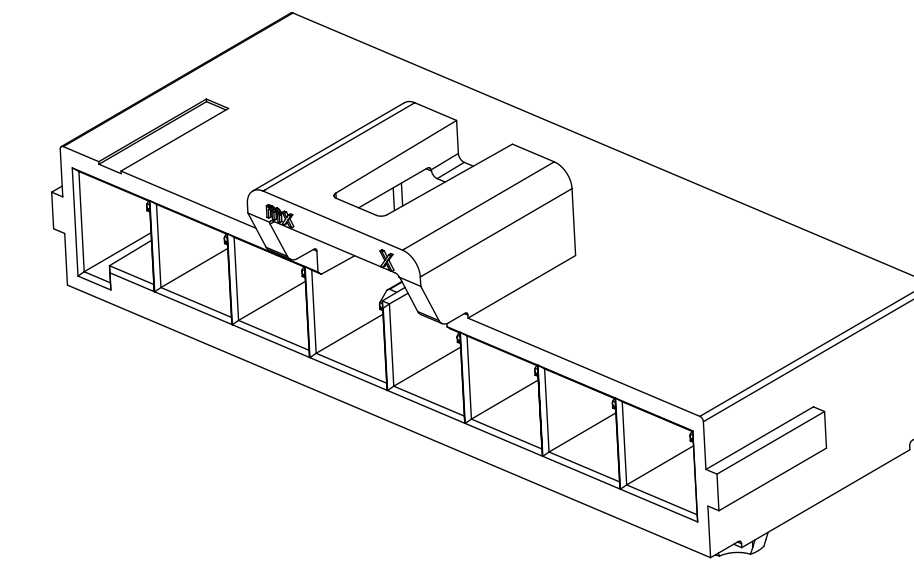
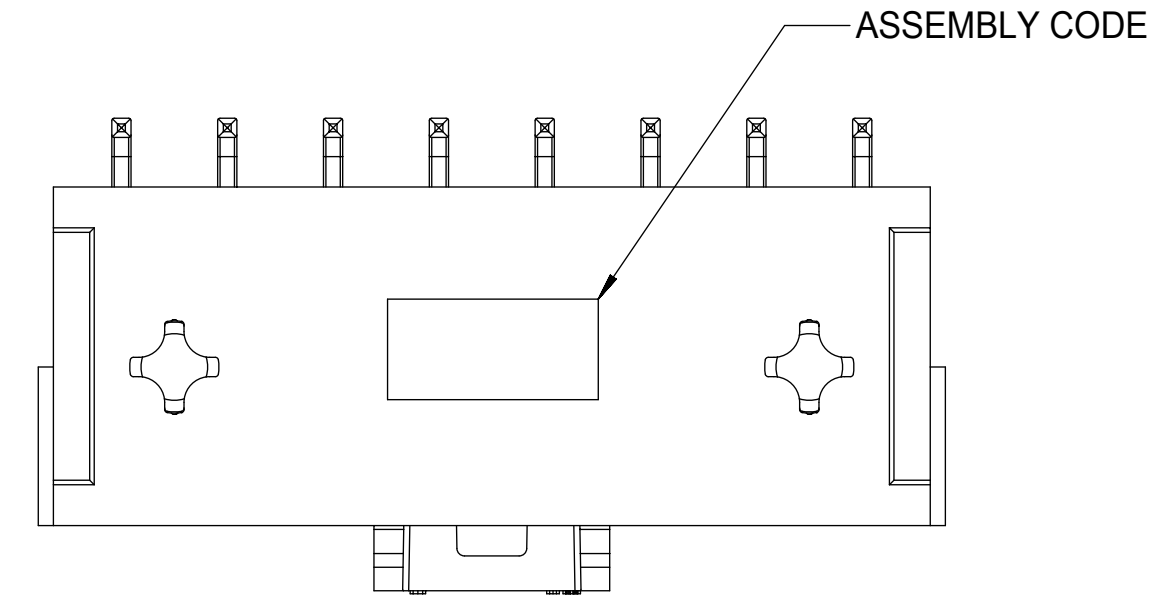
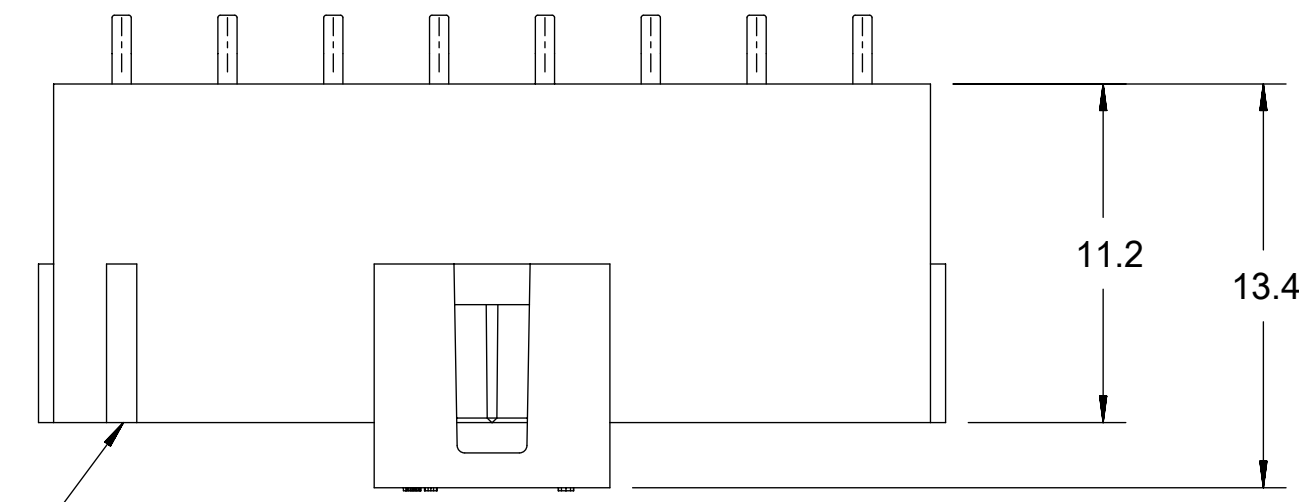
Tel: +86-755-8981 8866 Fax: +86-755-8427 6832

Email & Skype: info@chipsmall.com Web: www.chipsmall.com

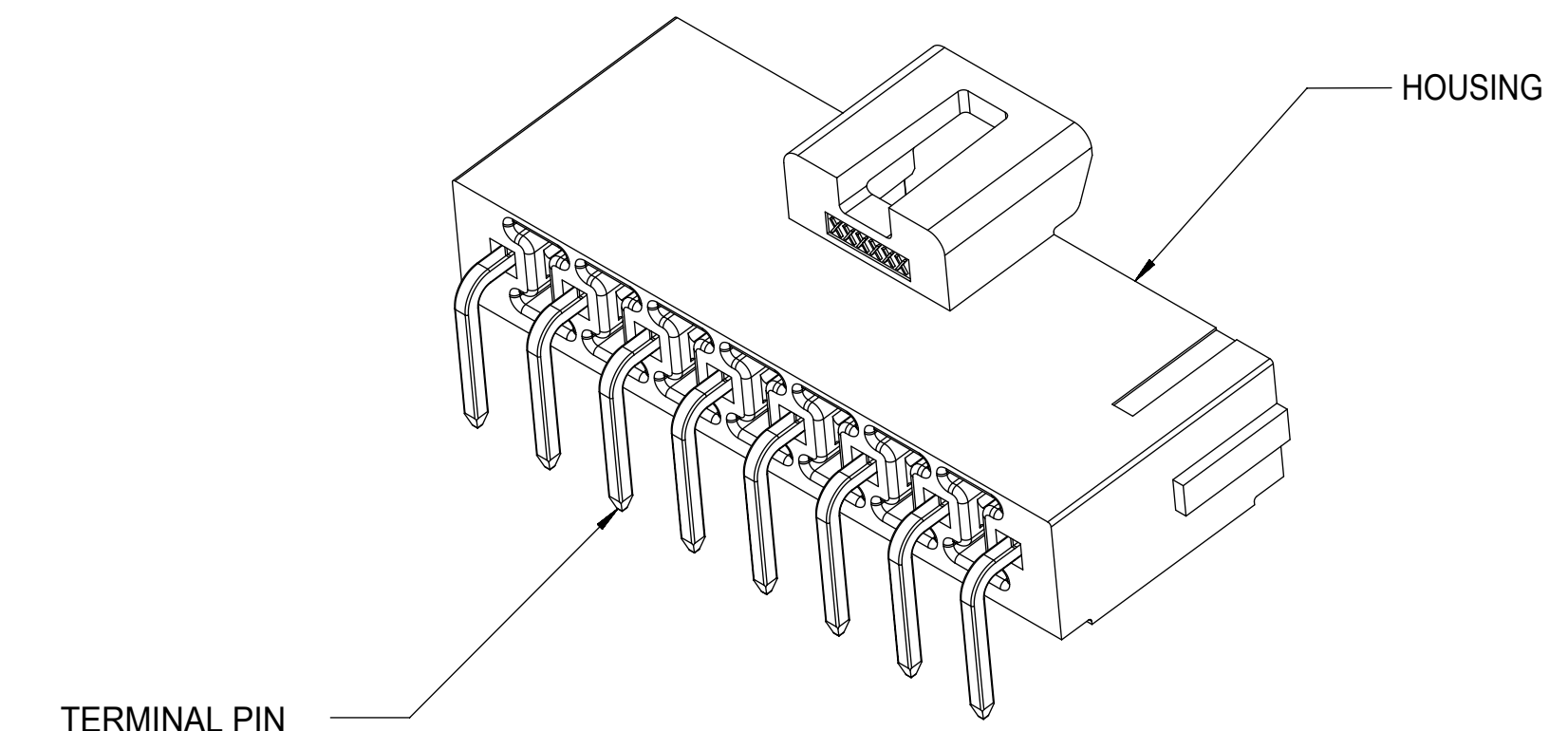
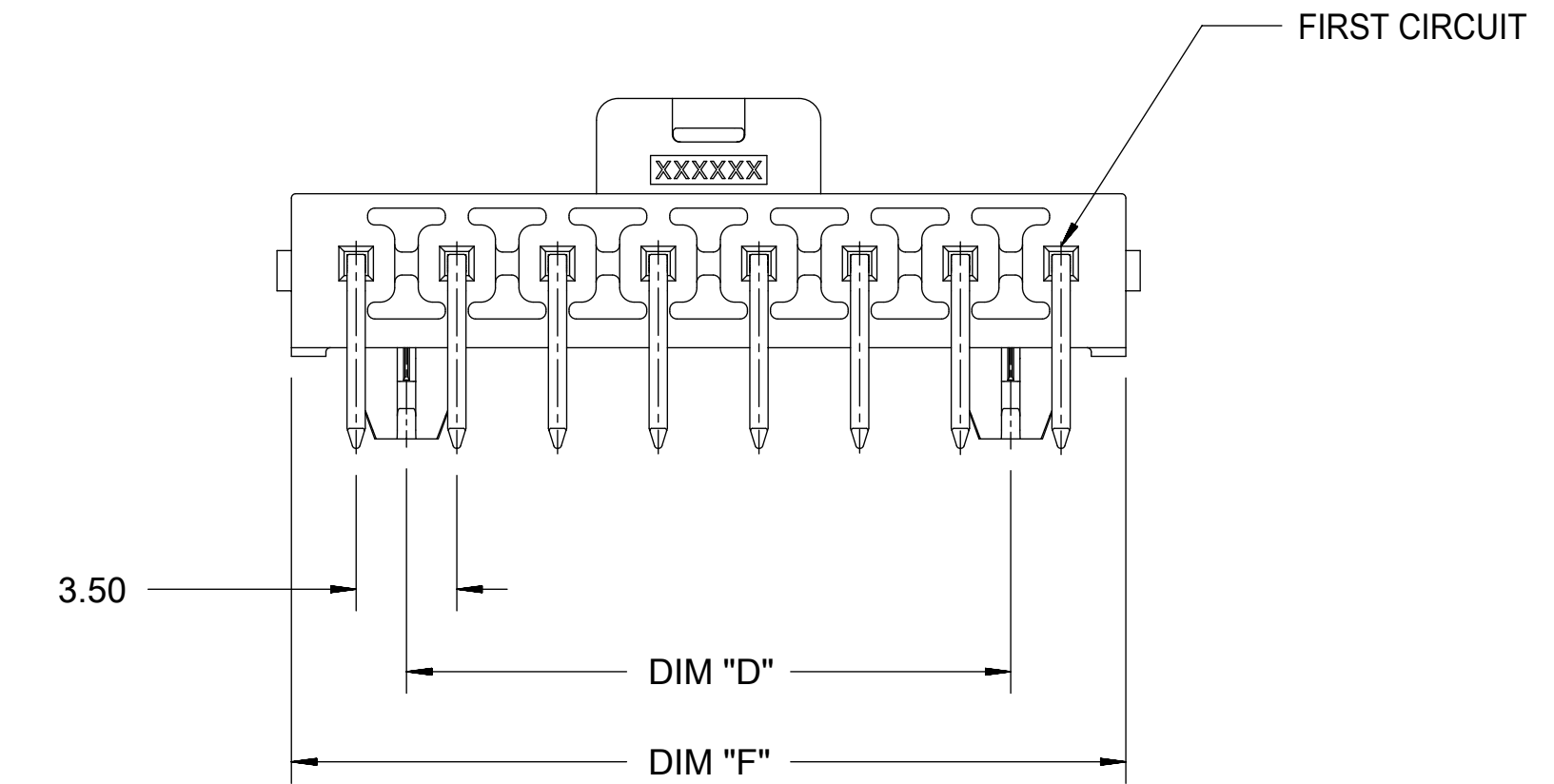
Address: A1208, Overseas Decoration Building, #122 Zhenhua RD., Futian, Shenzhen, China



FIRST CIRCUIT MARK
(NOT SHOWING ON 2
AND 3 CIRCUITS SERIES)

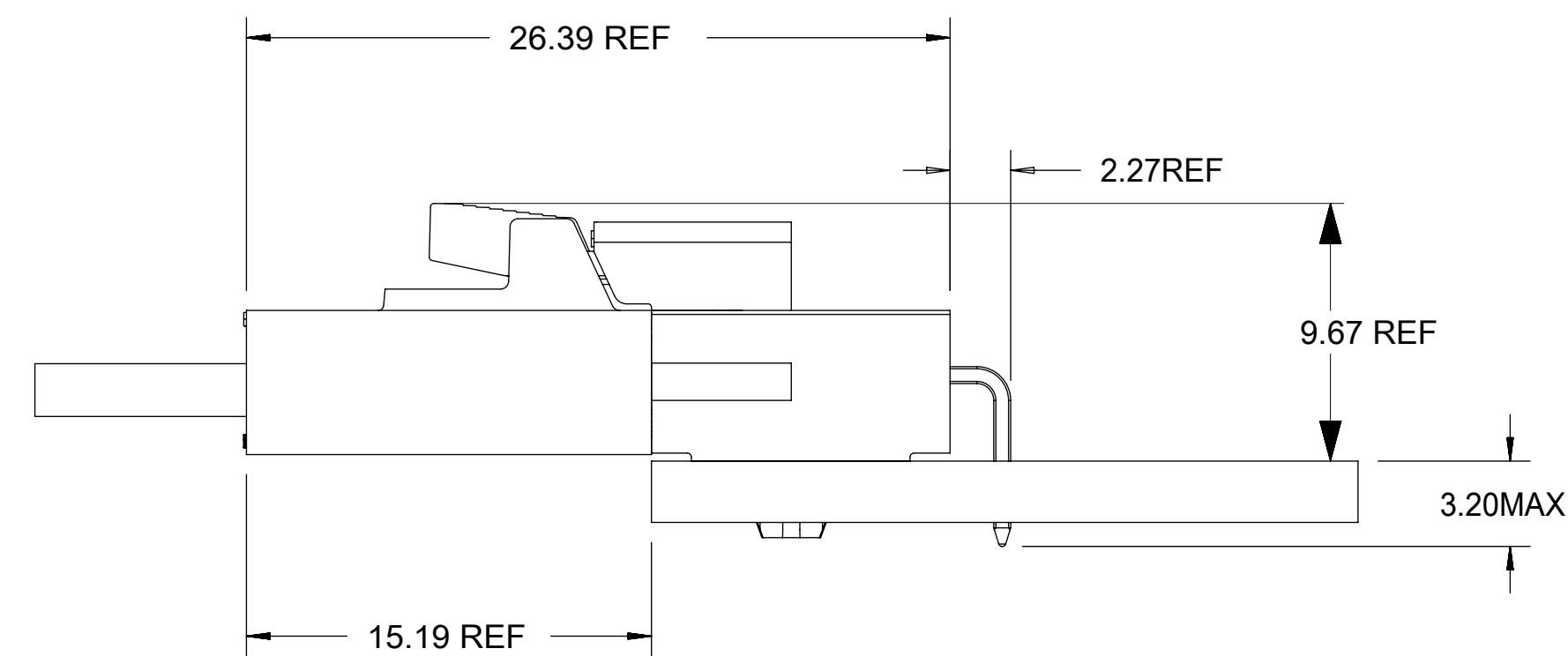


SECTION Y-Y
SCALE 8:1



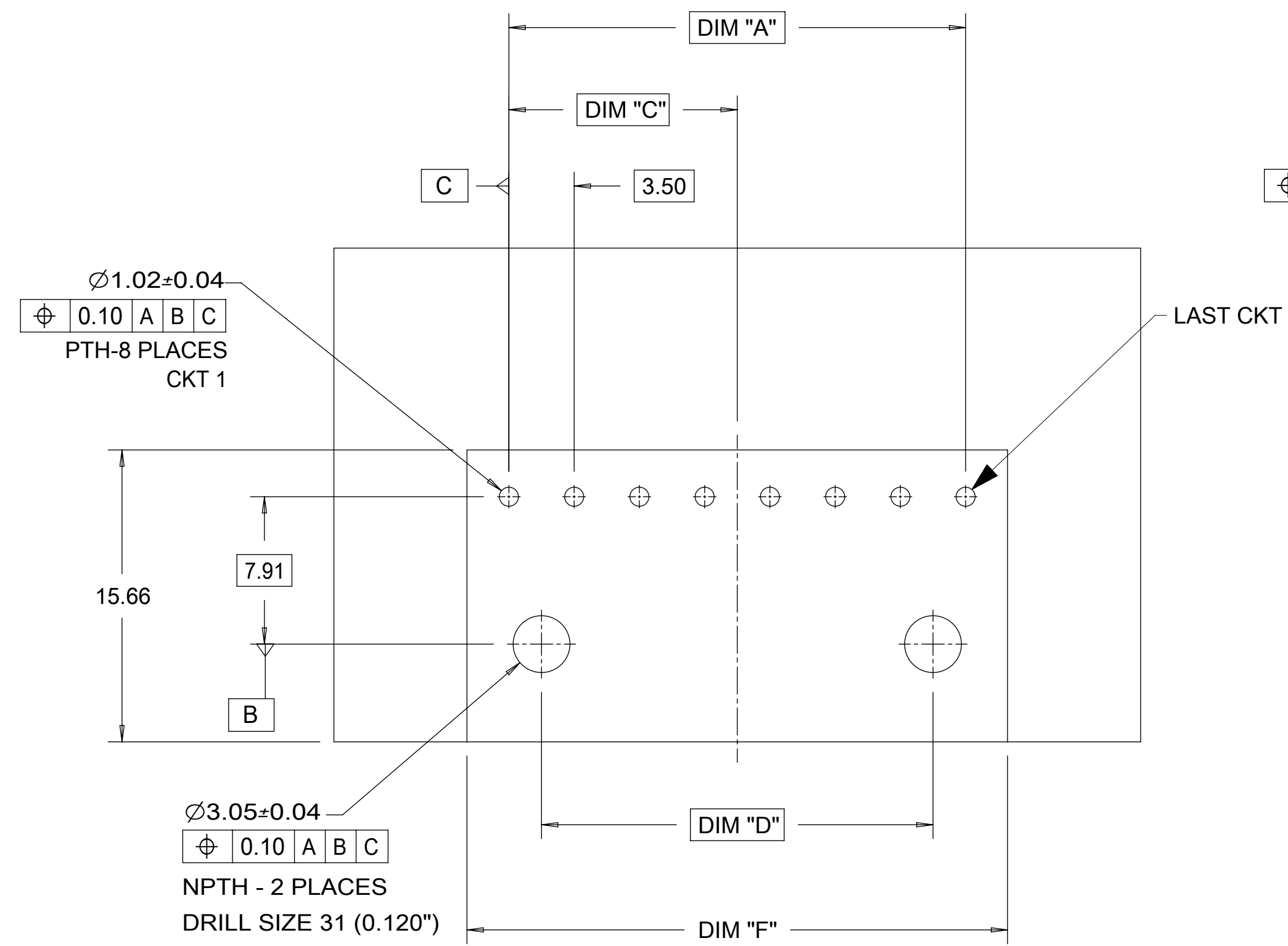
NOTES:

- MATERIAL :
HOUSING
OPTION 1: LCP BLACK, UL94 V-0
OPTION 2: LCP NATURAL, UL94 V-0
TERMINAL: COPPER ALLOY
- PLATING FINISH:
OPTION 1 - 1.5µm(60µin)-2.5µm(100µin) TIN OVER
1.25µm(50µin)-2.5µm(100µin) NICKEL OVERALL
OPTION 2 - 0.35µm(15µin) GOLD CONTACT AREA,
1.5µm(60µin)-2.5µm(100µin) TIN TAIL AREA OVER
1.25µm(50µin)-2.5µm(100µin) NICKEL OVERALL
OPTION 3 - 0.70µm(30µin) GOLD CONTACT AREA,
1.5µm(60µin)-2.5µm(100µin) TIN TAIL AREA OVER
1.25µm(50µin)-2.5µm(100µin) NICKEL OVERALL
- PARTS TO BE PACKAGED PER PK-172310-9001
- PRODUCT SPECIFICATION PS-172323-0001
- PART MATES WITH MOLEX RECEPTACLE HOUSING
172256 AND 172260
- PART CONFORMS TO CLASS "C" REQUIREMENTS OF SPECIFICATION
PS-45499-002 WITH 0.13 MM MAXIMUM FLASH ALLOWED IN CORE
HOLES AND FRONT SURFACE.
- DISCOLORATION IN THE BANDOLIER AREA OF THE PIN IS
INHERENT TO THE PLATING PROCESS AND IS DUE TO THE MASKING
EFFECT OF THE CARRIER. THIS DISCOLORATION IS IN A NON-FUNCTIONAL
AREA OF THE PIN AND WILL NOT AFFECT THE PERFORMANCE OF THE
HEADER ASSEMBLY.
- ASSEMBLY SPECIFICATION: AS-172323-0001

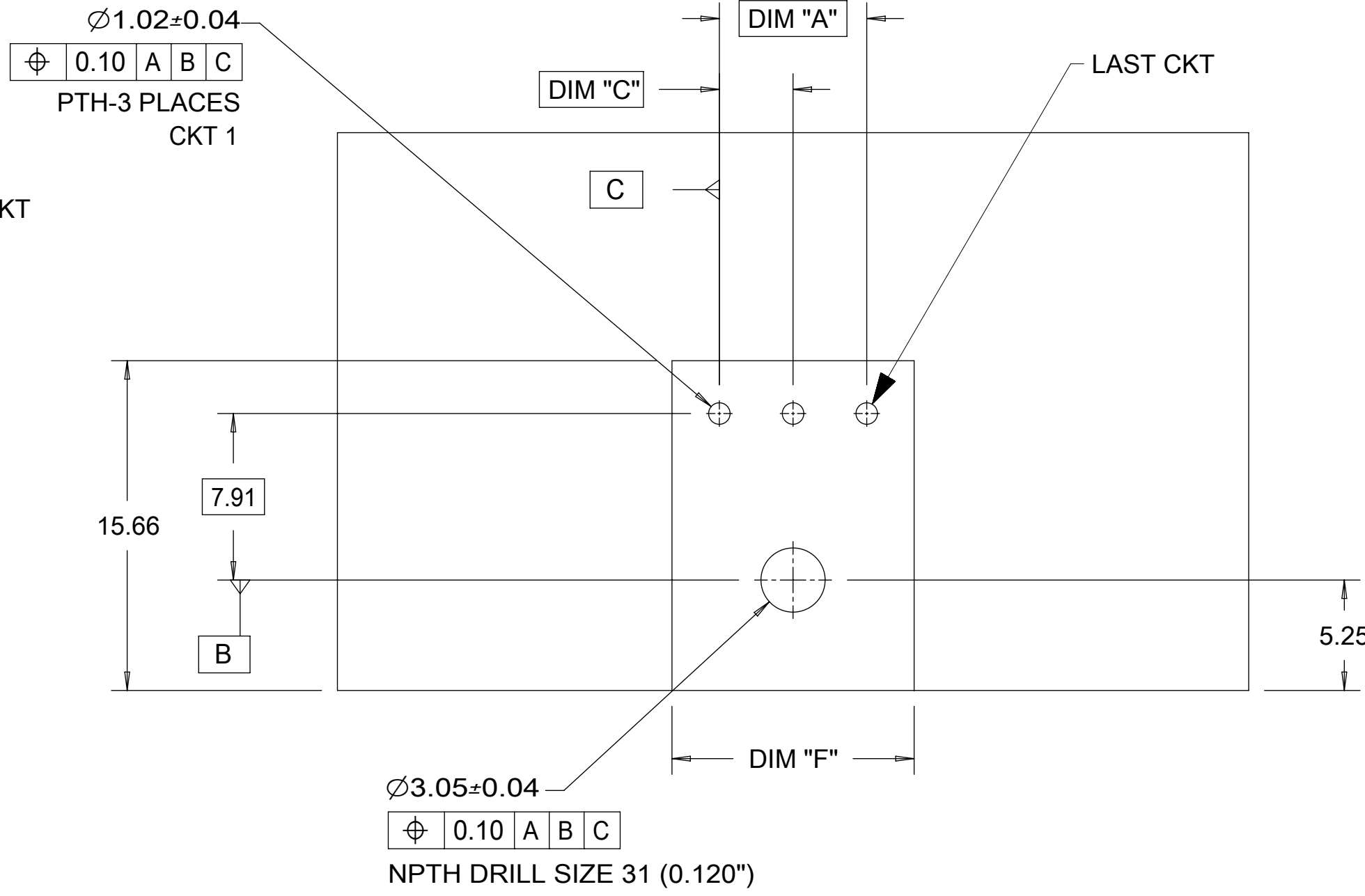


THIS DRAWING CONTAINS INFORMATION THAT IS PROPRIETARY TO MOLEX ELECTRONIC TECHNOLOGIES, LLC AND SHOULD NOT BE USED WITHOUT WRITTEN PERMISSION												
QUALITY SYMBOLS	2016/03/29	2016/03/29	GENERAL TOLERANCES (UNLESS SPECIFIED)		DIMENSION UNITS	SCALE						
			ANGULAR TOL ± °		MM	4:1						
▽ = 0	EC NO: 103949 DRWN: PPerez03 CHKD: REV/ APPR: RHODGE	2016/03/29	4 PLACES ±	DROSCA	DRWN BY	DATE	ULTRA-FIT R/A HEADER 2-8 CKTS SINGLE ROW					
▽ = 0			3 PLACES ±		CHKD BY	DATE						
▽ = 0			2 PLACES ± 0.25	APPR BY		DATE		PRODUCT CUSTOMER DRAWING				
▽ = 0			1 PLACE ± 0.5	JCOMERCI	2014/04/24							
▽ = 0			0 PLACES ±	DRAWING SIZE	THIRD ANGLE PROJECTION		SERIES	MATERIAL NUMBER	CUSTOMER			
▽ = 0			0 PLACES ±	DRAFT WHERE APPLICABLE MUST REMAIN WITHIN DIMENSIONS	D		172310	GENERAL MARKET				
▽ = 0					DOCUMENT NUMBER	DOC TYPE	DOC PART	SHEET NUMBER				
					C2	SD-172310-1000	PSD	000	1 OF 3			

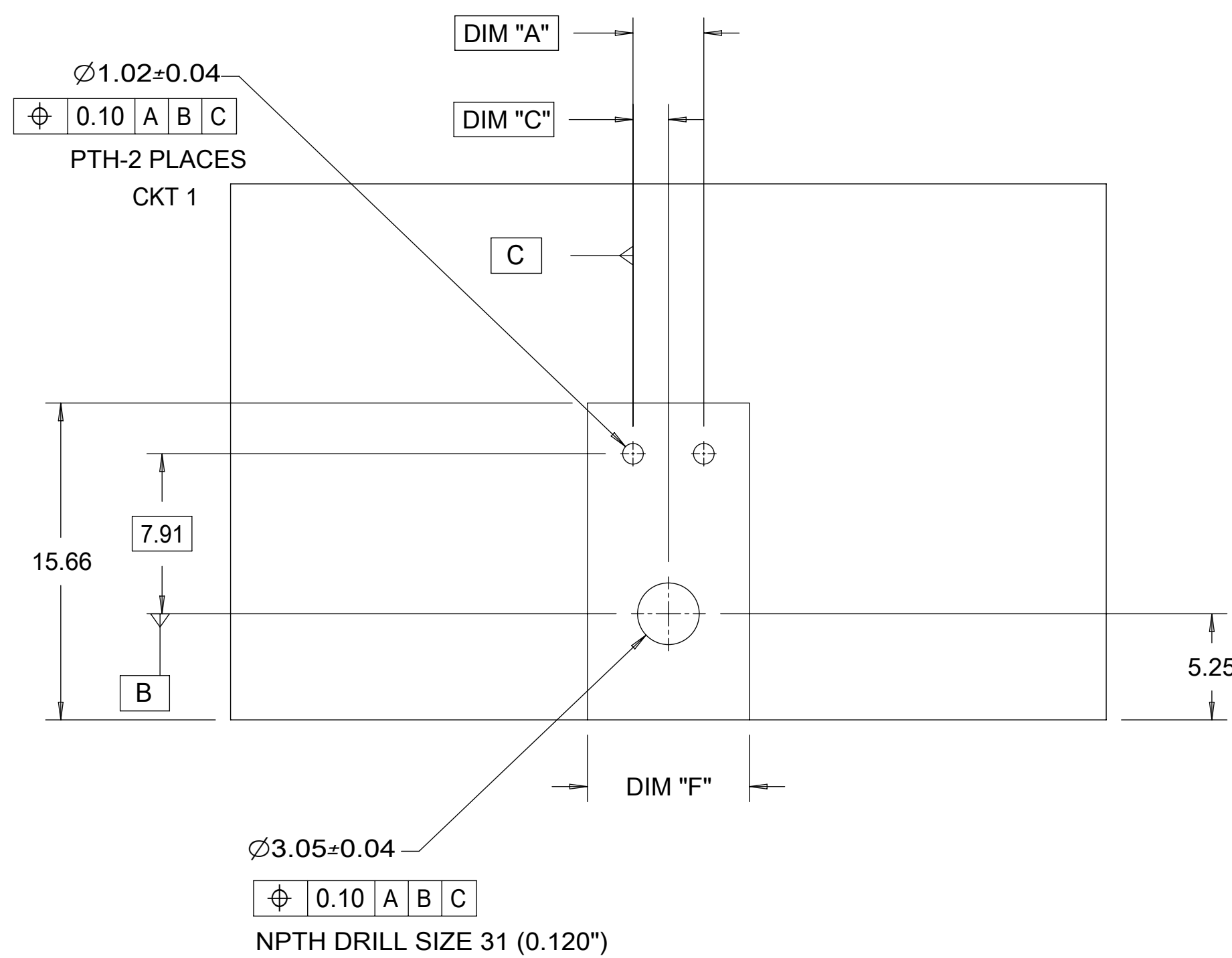
RELEASE STATUS	RELEASE DATE
----------------	--------------



PCB LAYOUT 4,5,6,7 AND 8 COMPONENT SIDE
RECOMENDED PCB THICKNESS 1.60MM-2.40MM

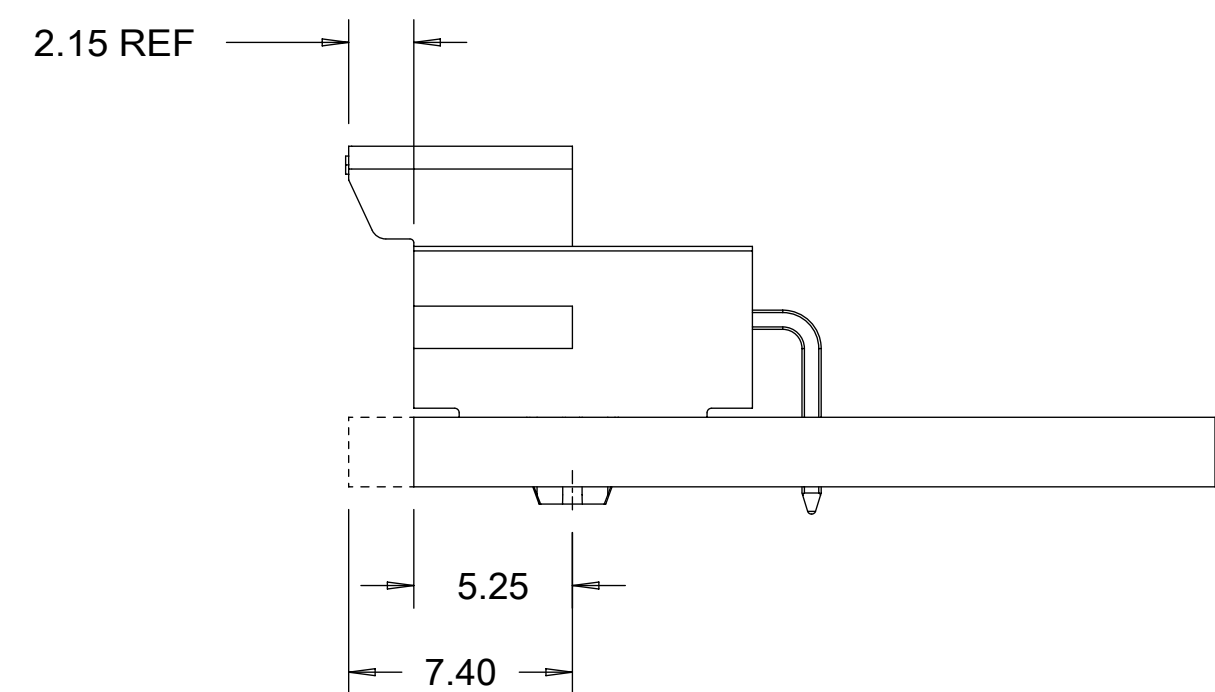


PCB LAYOUT 3 CIRCUIT COMPONENT SIDE
RECOMENDED PCB THICKNESS 1.60MM-2.40MM



PCB LAYOUT 2 CIRCUIT COMPONENT SIDE
RECOMENDED PCB THICKNESS 1.60MM-2.40MM

NOTE: DATUM -A- IS ON PCB COMPONENT SIDE



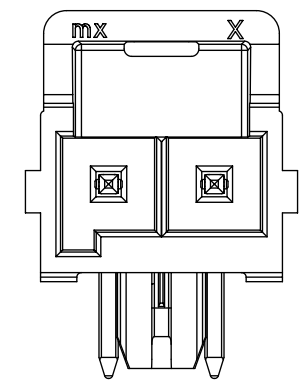
OPTION 1: LATCH FLUSH WITH PCB EDGE
OPTION 2: HOUSING BODY FLUSH WITH PCB EDGE

TIN PLATING							
PART NO.	COLOR	CIRCUIT SIZE	KEY OPTION	DIM A	DIM F	DIM C	DIM D
172310-1102	BLACK	2	KEY A	3.50	8.00	1.75	0.00
172310-1103	BLACK	3	KEY A	7.00	11.50	3.50	0.00
172310-1104	BLACK	4	KEY A	10.50	15.00	5.25	7.00
172310-1105	BLACK	5	KEY A	14.00	18.50	7.00	10.50
172310-1106	BLACK	6	KEY A	17.50	22.00	8.75	14.00
172310-1107	BLACK	7	KEY A	21.00	25.50	10.50	17.50
172310-1108	BLACK	8	KEY A	24.50	29.00	12.25	21.00
172310-2102	NATURAL	2	KEY B	3.50	8.00	1.75	0.00
172310-2103	NATURAL	3	KEY B	7.00	11.50	3.50	0.00
172310-2104	NATURAL	4	KEY B	10.50	15.00	5.25	7.00
172310-2105	NATURAL	5	KEY B	14.00	18.50	7.00	10.50
172310-2106	NATURAL	6	KEY B	17.50	22.00	8.75	14.00
172310-2107	NATURAL	7	KEY B	21.00	25.50	10.50	17.50
172310-2108	NATURAL	8	KEY B	24.50	29.00	12.25	21.00

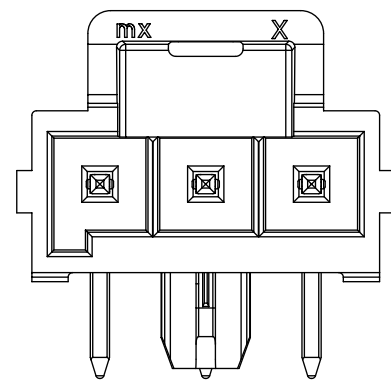
15 MICROINCH GOLD PLATING							
PART NO.	COLOR	CIRCUIT SIZE	KEY OPTION	DIM A	DIM F	DIM C	DIM D
172310-1202	BLACK	2	KEY A	3.50	8.00	1.75	0.00
172310-1203	BLACK	3	KEY A	7.00	11.50	3.50	0.00
172310-1204	BLACK	4	KEY A	10.50	15.00	5.25	7.00
172310-1205	BLACK	5	KEY A	14.00	18.50	7.00	10.50
172310-1206	BLACK	6	KEY A	17.50	22.00	8.75	14.00
172310-1207	BLACK	7	KEY A	21.00	25.50	10.50	17.50
172310-1208	BLACK	8	KEY A	24.50	29.00	12.25	21.00
172310-2202	NATURAL	2	KEY B	3.50	8.00	1.75	0.00
172310-2203	NATURAL	3	KEY B	7.00	11.50	3.50	0.00
172310-2204	NATURAL	4	KEY B	10.50	15.00	5.25	7.00
172310-2205	NATURAL	5	KEY B	14.00	18.50	7.00	10.50
172310-2206	NATURAL	6	KEY B	17.50	22.00	8.75	14.00
172310-2207	NATURAL	7	KEY B	21.00	25.50	10.50	17.50
172310-2208	NATURAL	8	KEY B	24.50	29.00	12.25	21.00

30 MICROINCH GOLD PLATING							
PART NO.	COLOR	CIRCUIT SIZE	KEY OPTION	DIM A	DIM F	DIM C	DIM D
172310-1302	BLACK	2	KEY A	3.50	8.00	1.75	0.00
172310-1303	BLACK	3	KEY A	7.00	11.50	3.50	0.00
172310-1304	BLACK	4	KEY A	10.50	15.00	5.25	7.00
172310-1305	BLACK	5	KEY A	14.00	18.50	7.00	10.50
172310-1306	BLACK	6	KEY A	17.50	22.00	8.75	14.00
172310-1307	BLACK	7	KEY A	21.00	25.50	10.50	17.50
172310-1308	BLACK	8	KEY A	24.50	29.00	12.25	21.00
172310-2302	NATURAL	2	KEY B	3.50	8.00	1.75	0.00
172310-2303	NATURAL	3	KEY B	7.00	11.50	3.50	0.00
172310-2304	NATURAL	4	KEY B	10.50	15.00	5.25	7.00
172310-2305	NATURAL	5	KEY B	14.00	18.50	7.00	10.50
172310-2306	NATURAL	6	KEY B	17.50	22.00	8.75	14.00
172310-2307	NATURAL	7	KEY B	21.00	25.50	10.50	17.50
172310-2308	NATURAL	8	KEY B	24.50	29.00	12.25	21.00

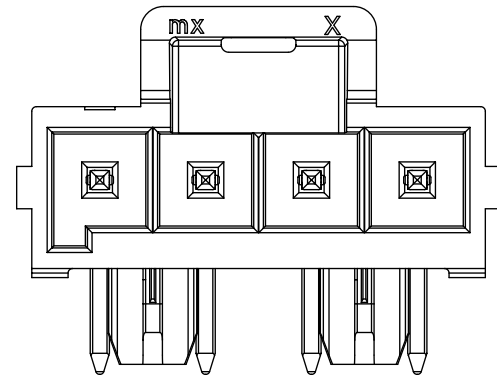
QUALITY SYMBOLS F = 0 E = 0 E = 0 ▽ = 0 C = 0 ⊠ = 0 ■ = 0 ▽ = 0	THIS DRAWING CONTAINS INFORMATION THAT IS PROPRIETARY TO MOLEX ELECTRONIC TECHNOLOGIES, LLC AND SHOULD NOT BE USED WITHOUT WRITTEN PERMISSION				
	EC NO: 103949 DRWN: PPerez03 CHKD: REV APPR: RHODGE	2016/03/29 2016/03/29	GENERAL TOLERANCES (UNLESS SPECIFIED) ANGULAR TOL ± ° 4 PLACES ± 3 PLACES ± 2 PLACES ± 0.25 1 PLACE ± 0.5 0 PLACES ± DRAFT WHERE APPLICABLE MUST REMAIN WITHIN DIMENSIONS	DIMENSION UNITS: MM SCALE: 4:1 DRWN BY: DROSCA DATE: 2014/03/05 CHKD BY: DATE: APPR BY: JCOMERCI DATE: 2014/04/24	 ULTRA-FIT R/A HEADER 2-8 CKTS SINGLE ROW PRODUCT CUSTOMER DRAWING
	C2	D	THIRDO ANGLE PROJECTION	SERIES: 172310 MATERIAL NUMBER: SD-172310-1000 CUSTOMER: GENERAL MARKET	
	RELEASE STATUS: C2 RELEASE DATE:	DOCUMENT NUMBER: SD-172310-1000 DOC TYPE: PSD DOC PART: 000 SHEET NUMBER: 2 OF 3			



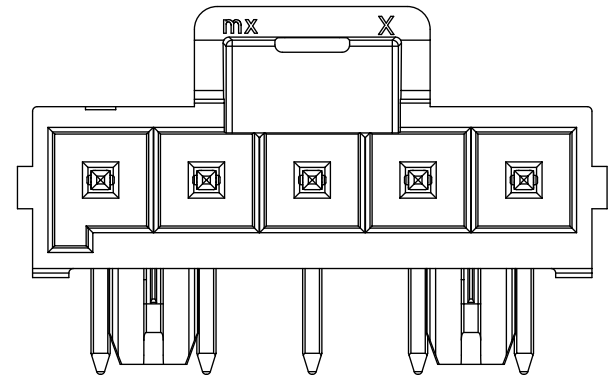
2 CKT



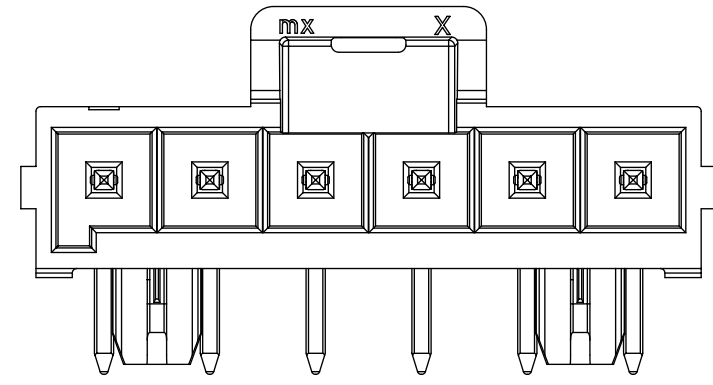
3 CKT



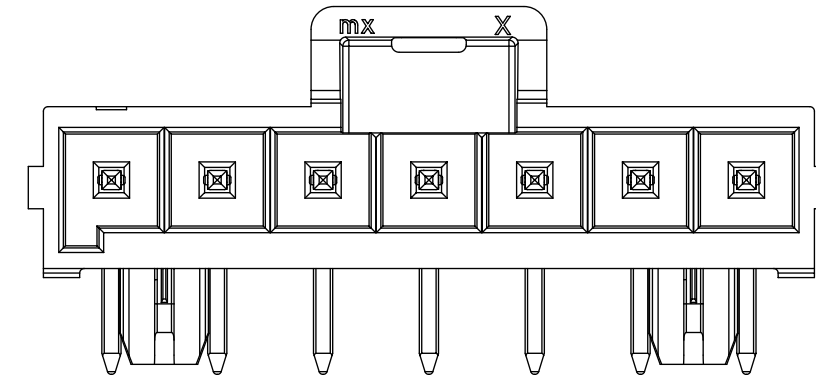
4 CKT



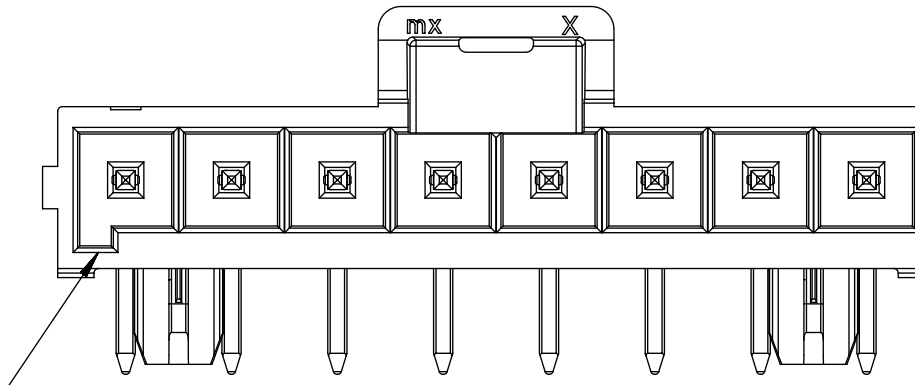
5 CKT



6 CKT

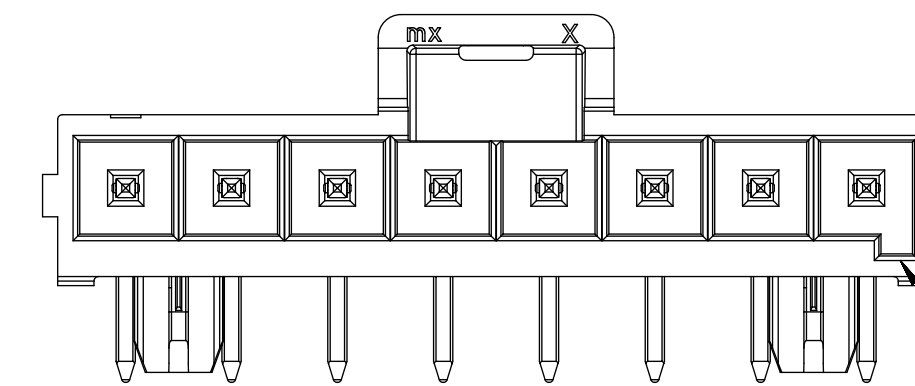


7 CKT



8 CKT

KEY A
(BLACK)



KEY B
(NATURAL)

QUALITY SYMBOLS 	THIS DRAWING CONTAINS INFORMATION THAT IS PROPRIETARY TO MOLEX ELECTRONIC TECHNOLOGIES, LLC AND SHOULD NOT BE USED WITHOUT WRITTEN PERMISSION									
	EC NO: 103949 DRWN: PPerez03 CHKD: REV APPR: RHODGE	2016/03/29 2016/03/29	GENERAL TOLERANCES (UNLESS SPECIFIED)		DIMENSION UNITS	SCALE	 ULTRA-FIT R/A HEADER 2-8 CKTS SINGLE ROW			
			ANGULAR TOL ± °		MM	4:1				
			4 PLACES ±		DRWN BY	DATE				
			3 PLACES ±		DROSCA	2014/03/05	PRODUCT CUSTOMER DRAWING			
			2 PLACES ± 0.25		CHKD BY	DATE				
	1 PLACE ± 0.5		APPR BY	DATE	SERIES	MATERIAL NUMBER	CUSTOMER			
	0 PLACES ±		JCOMERCI	2014/04/24	172310		GENERAL MARKET			
	DRAFT WHERE APPLICABLE MUST REMAIN WITHIN DIMENSIONS		DRAWING SIZE	THIRD ANGLE PROJECTION	DOCUMENT NUMBER		DOC TYPE	DOC PART	SHEET NUMBER	
			D		SD-172310-1000		PSD	000	3 OF 3	

RELEASE STATUS	RELEASE DATE
----------------	--------------