



Chipsmall Limited consists of a professional team with an average of over 10 year of expertise in the distribution of electronic components. Based in Hongkong, we have already established firm and mutual-benefit business relationships with customers from,Europe,America and south Asia,supplying obsolete and hard-to-find components to meet their specific needs.

With the principle of “Quality Parts,Customers Priority,Honest Operation,and Considerate Service”,our business mainly focus on the distribution of electronic components. Line cards we deal with include Microchip,ALPS,ROHM,Xilinx,Pulse,ON,Everlight and Freescale. Main products comprise IC,Modules,Potentiometer,IC Socket,Relay,Connector.Our parts cover such applications as commercial,industrial, and automotives areas.

We are looking forward to setting up business relationship with you and hope to provide you with the best service and solution. Let us make a better world for our industry!



Contact us

Tel: +86-755-8981 8866 Fax: +86-755-8427 6832

Email & Skype: info@chipsmall.com Web: www.chipsmall.com

Address: A1208, Overseas Decoration Building, #122 Zhenhua RD., Futian, Shenzhen, China



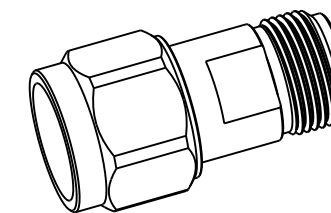
I.ELECTRIC PERFORMANCE:
 IMPEDANCE(Ω) : 50
 FREQUENCY RANGE : DC-6GHZ
 VSWR : ≤ 1.065 (0-3GHz)
 ≤ 1.2 (3-6GHz)
 INSERT LOSS (dB) : <0.1
 PIM(dBc) : <-160 (2X43dBm)
 INSULATION RESISTANCE (M Ω) : 5000
 PROOF VOLTAGE (V) : 2500
 CONDUCTOR RESISTANCE (m Ω) : OUTER CONDUCTOR<0.2
 INNER CONDUCTOR<0.8

II.MECHANICAL PERFORMANCE:
 NUT TORQUE N : 5Nm
 MECHANICAL WEAR : 500

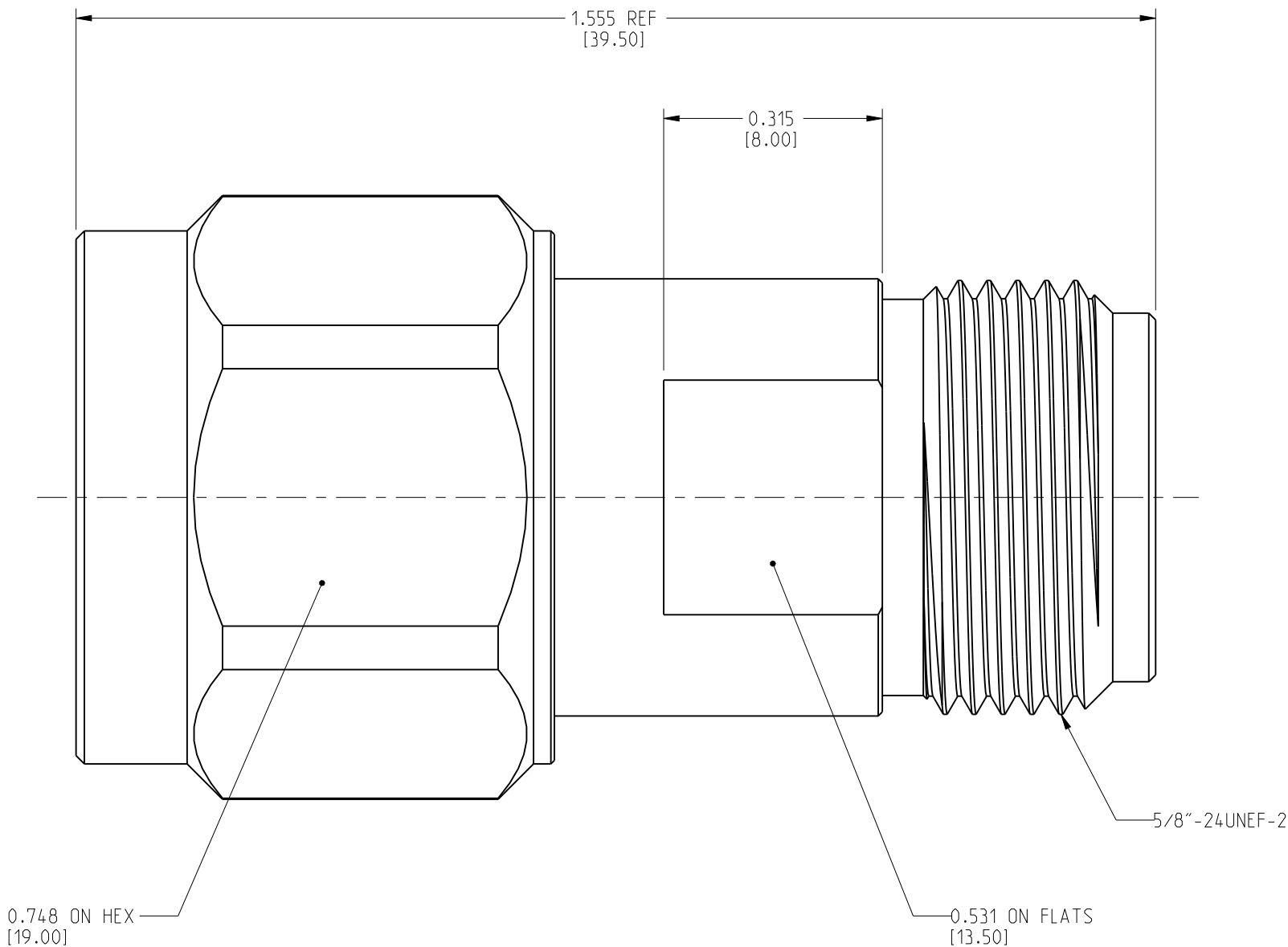
III.MATERIAL AND PLATING:
 OUTER CONDUCTOR : BRASS PLATING COPPER-TIN-ZINC >2 μ m
 INNER CONDUCTOR : SPRING COPPER PLATING Ag>5 μ m
 INSULATOR : PTFE
 COUPLING NUT : BRASS PLATING NICKEL5 μ m

IV.ENVIRONMENT:
 TEMP.RANGE : -55 $^{\circ}$ C TO +155 $^{\circ}$ C
 WATERPROOFING STANDARD :IP67
 ROHS COMPLIANT

172372		REVISIONS			
DRAWING NO.	REV	DESCRIPTION	DATE	ECO	APPR
THIRD ANGLE PROJ.	A	RELEASE TO MFG.	01-Oct-12	--	MG



SCALE 1.000



4	NUT	BRASS	NICKEL	1
3	INSULATOR	PTFE	NATURAL	1
2	INNER CONDUCTOR	SPRING COPPER	SILVER	1
1	OUTER CONDUCTOR	BRASS	WHITE BRONZE	1
NO	DESCRIPTION	MATERIAL	FINISH	QTY

UNLESS OTHERWISE SPECIFIED, DIMENSIONS ARE IN INCHES AND TOLERANCES ARE:
 2 PLACE DECIMAL 3 PLACE DECIMAL ANGLES
 ± 0.015 (0,381 mm) ± 0.005 (0,127 mm) $\pm 1^{\circ}$

NOTICE - These drawings, specifications, or other data (1) are, and remain the property of Amphenol Corp. (2) must be returned upon request; and (3) are confidential and not to be disclosed to any person other than those to whom they are given by Amphenol Corp. The furnishing of these drawings, specifications, or other data by Amphenol Corp., or to any other person to anyone for any purpose is not to be regarded by implication or otherwise in any manner licensing, granting rights or permitting such holder or any other person to manufacture, use or sell any product, process or design, patented or otherwise, that may in any way be related to or disclosed by said drawings, specifications, or other data.

MATERIAL	SEE NOTES
REFERENCE	

DRAWN	GOPI M	DATE	01-Oct-12
ENGINEER	GOPI M	DATE	01-Oct-12
APPROVED		DATE	
CAD FILE			

TITLE	N MALE TO N FEMALE ADAPTER, LOW PIM
DWG SIZE	B
DRAWING NO.	172372

Amphenol Connex	
SCALE: 4.5:1	SHEET 1 OF 1
REV	A