



Chipsmall Limited consists of a professional team with an average of over 10 year of expertise in the distribution of electronic components. Based in Hongkong, we have already established firm and mutual-benefit business relationships with customers from,Europe,America and south Asia,supplying obsolete and hard-to-find components to meet their specific needs.

With the principle of "Quality Parts,Customers Priority,Honest Operation,and Considerate Service",our business mainly focus on the distribution of electronic components. Line cards we deal with include Microchip,ALPS,ROHM,Xilinx,Pulse,ON,Everlight and Freescale. Main products comprise IC,Modules,Potentiometer,IC Socket,Relay,Connector.Our parts cover such applications as commercial,industrial, and automotives areas.

We are looking forward to setting up business relationship with you and hope to provide you with the best service and solution. Let us make a better world for our industry!



Contact us

Tel: +86-755-8981 8866 Fax: +86-755-8427 6832

Email & Skype: info@chipsmall.com Web: www.chipsmall.com

Address: A1208, Overseas Decoration Building, #122 Zhenhua RD., Futian, Shenzhen, China



NOTE:

REFERENCE STANDARD IEC60169-16

1. ELECTRIC PERFORMANCE
 NOMINAL IMPEDANCE (Ω) : 50±2
 FREQUENCY RANGE : DC-3GHz
 VSWR : ≤ 1.20
 PIM(dBc): : ≤-155(2X43dBm)
 INSERTION LOSS : ≤ 0.1
 INSULATION RESISTANCE (M Ω) : ≥5000
 PROOF VOLTAGE (V) : 1000
 CONDUCTOR RESISTANCE (m Ω) : OUTER CONDUCTOR <0.4
 INNER CONDUCTOR <0.8

- II. MECHANICAL PERFORMANCE
 RETENTION : ≥0.56N
 MECHANICAL WEAR(HYPO-) : 500
 TENSILE FORCE(CABLE-CONNECTOR) : 150N
 TORSION(CABLE-CONNECT) : 0.3N.m

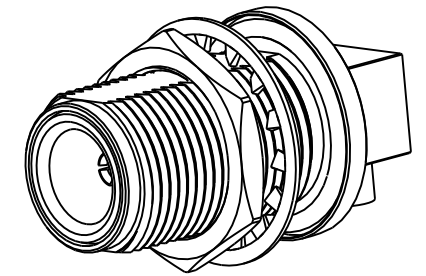
- III. MATERIAL AND PLATING
 INNER CONDUCTOR : SPRING BRONZE PLATING Ag5 μ m
 OUTER CONDUCTOR : BRASS PLATING COPPER-TIN-ZINC 2 μ m
 NUT : BRASS PLATING Ni5 μ m
 O-RING : SILICONE RUBBER
 INSULATOR : PTFE

- IV. ENVIRONMENT
 TEMP RANGE : -40 °C ~ +85 °C
 WEATHER STANDARD : IEC 60068 40/ 085/ 21
 THERMAL SHOCK : IEC 60068 -2-14-Na
 VIBRATION : IEC 60068-2-6-Fc
 SHOCK : IEC 60068-2-27
 WATERPROOFING STANDARD : IP68

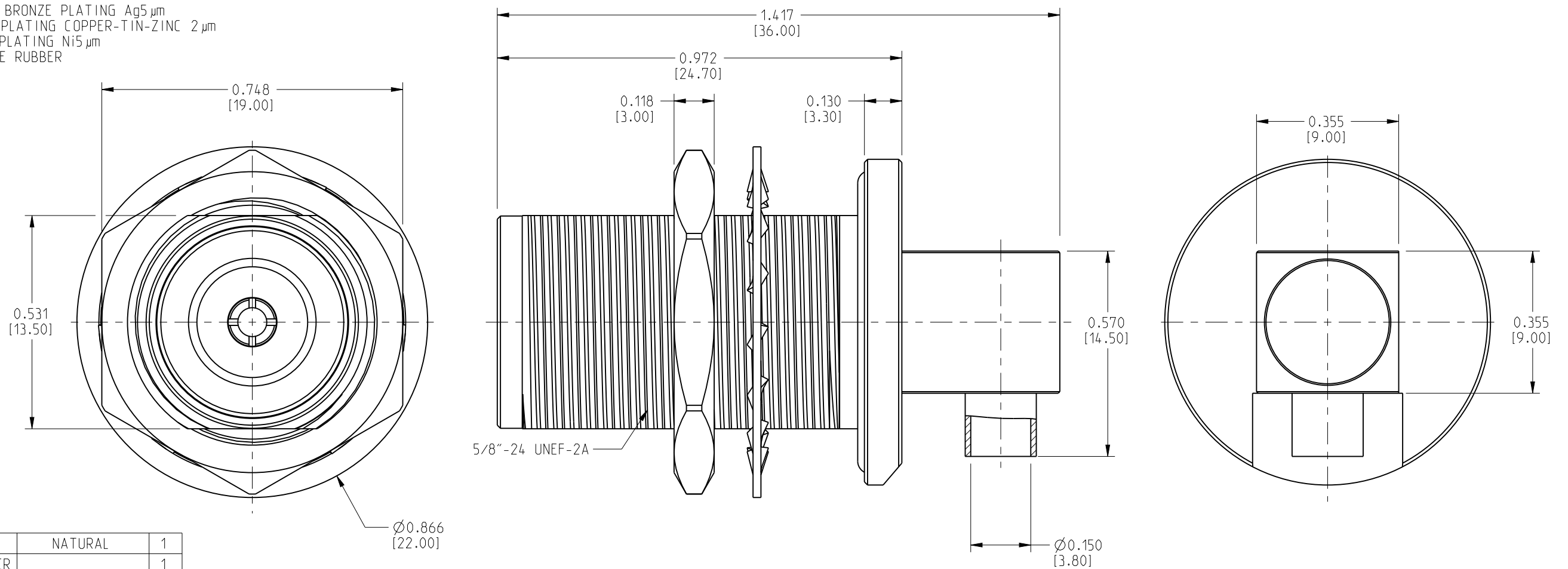
V. ASSEMBLY: INNER AND OUTER CONDUCTOR SOLDERED

VI. ROHS COMPLIANTE.

172373		REVISIONS			
DRAWING NO.	REV	DESCRIPTION	DATE	ECO	APPR
THIRD ANGLE PROJ.	A	RELEASE TO MFG.	21-Sep-12		RV
	B	0.570 WAS 0.650 AND 0.355 ADDED	30-Jul-13	2504	KR



SCALE 1.500



5	INSULATOR	PTFE	NATURAL	1
4	GASKET	SILICONE RUBBER		1
3	NUT	BRASS	NICKEL	1
2	BODY	BRASS	WHITE BRONZE	1
1	CONTACT PIN	SPRING BRONZE	SILVER	1
NO	DESCRIPTION	MATERIAL	FINISH	QTY

UNLESS OTHERWISE SPECIFIED, DIMENSIONS ARE IN INCHES AND TOLERANCES ARE:
 2 PLACE DECIMAL ±.015 (0,381 mm)
 3 PLACE DECIMAL ±.005 (0,127 mm)
 ANGLES ± 1°

NOTICE - These drawings, specifications, or other data (1) are, and remain the property of Amphenol Corp. (2) must be returned upon request; and (3) are confidential and not to be disclosed to any person other than those to whom they are given by Amphenol Corp. The furnishing of these drawings, specifications, or other data by Amphenol Corp., or to any other person to anyone for any purpose is not to be regarded by implication or otherwise in any manner licensing, granting rights or permitting such holder or any other person to manufacture, use or sell any product, process or design, patented or otherwise, that may in any way be related to or disclosed by said drawings, specifications, or other data.

MATERIAL	DRAWN RAJAVIJAYAN S	DATE 30-Jul-13	TITLE N-TYPE RIGHT ANGLE BULKHEAD JACK FOR 0.141" SEMI-RIGID CABLE	Amphenol Connex	
REFERENCE	ENGINEER RAJAVIJAYAN S	DATE 30-Jul-13	APPROVED	DATE	SCALE: 3.5:1 SHEET 1 OF 1
	CAD FILE	SECTION A-A	DWG SIZE B	DRAWING NO. 172373	REV B