



Chipsmall Limited consists of a professional team with an average of over 10 year of expertise in the distribution of electronic components. Based in Hongkong, we have already established firm and mutual-benefit business relationships with customers from,Europe,America and south Asia,supplying obsolete and hard-to-find components to meet their specific needs.

With the principle of "Quality Parts,Customers Priority,Honest Operation,and Considerate Service",our business mainly focus on the distribution of electronic components. Line cards we deal with include Microchip,ALPS,ROHM,Xilinx,Pulse,ON,Everlight and Freescale. Main products comprise IC,Modules,Potentiometer,IC Socket,Relay,Connector.Our parts cover such applications as commercial,industrial, and automotives areas.

We are looking forward to setting up business relationship with you and hope to provide you with the best service and solution. Let us make a better world for our industry!



Contact us

Tel: +86-755-8981 8866 Fax: +86-755-8427 6832

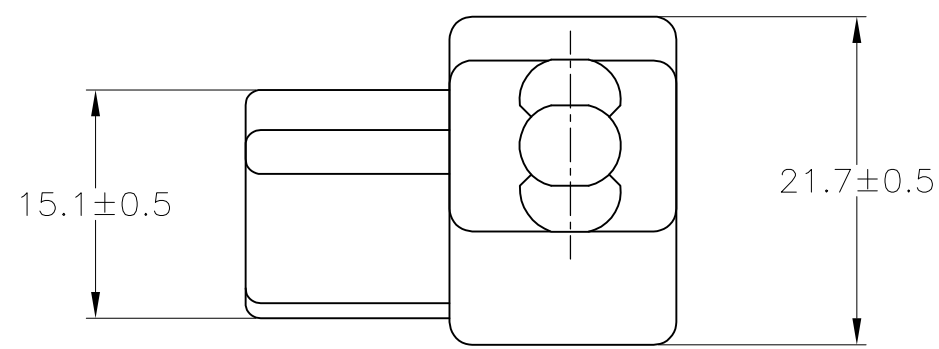
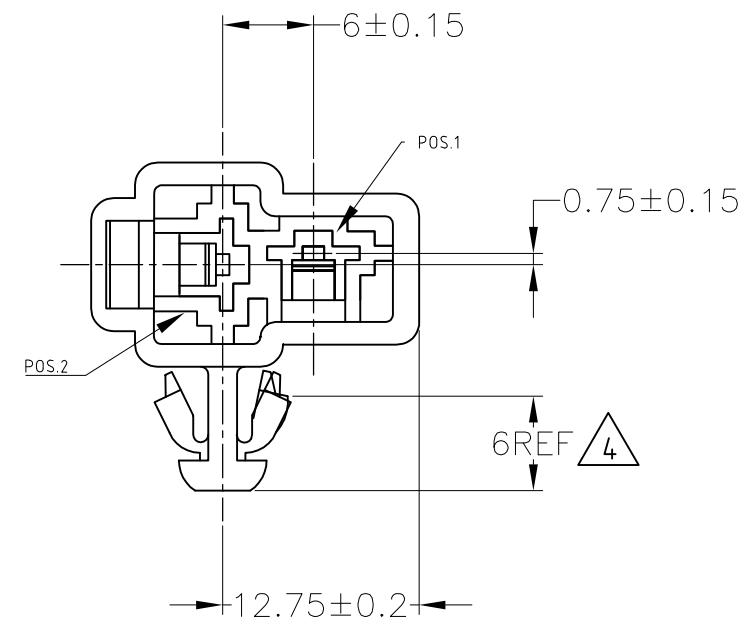
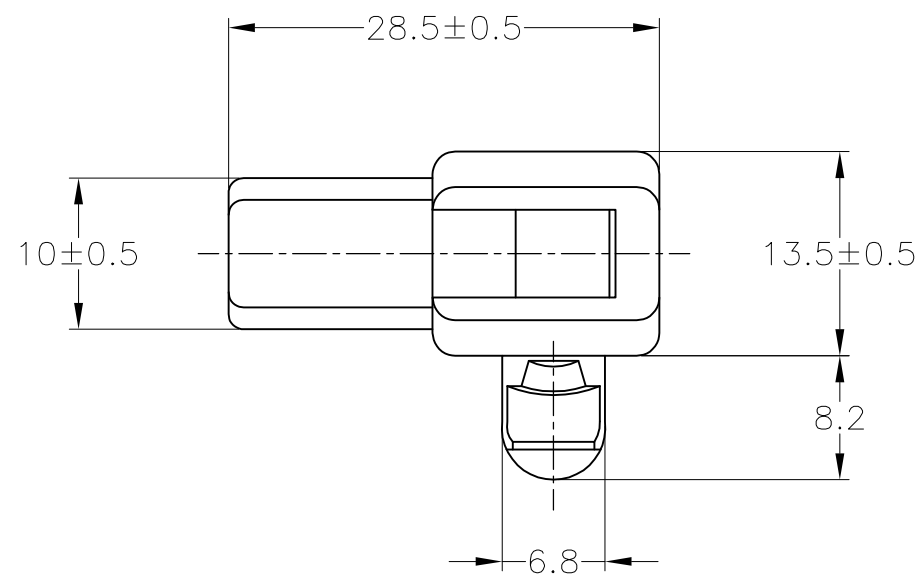
Email & Skype: info@chipsmall.com Web: www.chipsmall.com

Address: A1208, Overseas Decoration Building, #122 Zhenhua RD., Futian, Shenzhen, China



THIS DRAWING IS UNPUBLISHED. RELEASED FOR PUBLICATION
 © COPYRIGHT BY TYCO ELECTRONICS CORPORATION. ALL RIGHTS RESERVED.

| LOC | DIST | REVISIONS | | | | | |
|-----|------|-----------|-----|-------------|---------------|--------|-------|
| J | — | P | LTR | DESCRIPTION | DATE | DWN | APVD |
| | | | C2 | REVISED | ECO-13-017142 | 1NOV13 | BP DZ |



1. 嵌合する相手ハウジングは型番172130
2. 使用端子は型番170340, 170341, 170349
3. 適用パネル穴径7.0mm 板厚0.65~1.2mm
- △ パネルに取付けた時のパネル内側に必要スペース
5. 適用製品規格番号; 108-5153

1. THE MATING COUNTERPART NUMBER 172130
2. APPLIED CONTACT; PN 170340, 170341, 170349
3. APPLICABLE PANEL; HOLD DIMENSION 7.0mm; THICKNESS 0.65~1.2mm
- △ A SPACING REQUIRED INSIDE OF THE PANEL FOR MOUNTING PANEL
5. APPLICABLE PRODUCT SPEC NO. 108-5153

| | |
|---------------|----------------|
| 淡灰 LIGHT GRAY | 6-172383-6 |
| 桃 PINK | 1-172383-0 |
| 赤 RED | 172383-9 |
| 灰 GRAY | 172383-6 |
| 青 BLUE | 172383-5 |
| 茶 BROWN | 172383-3 |
| 黒 BLACK | 172383-2 |
| 自然色 NATURAL | 172383-1 |
| 色 COLOR | 型番 PART NUMBER |

TOLERANCE UNLESS OTHERWISE SPECIFIED: 一般公差

| | |
|--------------|---------|
| 0 < x ≤ 10 | : ±0.2 |
| 10 < x ≤ 30 | : ±0.25 |
| 30 < x ≤ 100 | : ±0.3 |

ANGLE ; 角度 : ±3°

| | | | | |
|---|--|------------------------------|--|-----------------|
| THIS DRAWING IS A CONTROLLED DOCUMENT. | | DWN T.SHINOHARA 21OCT03 | Tyco Electronics AMP K.K. Kawasaki, Japan | |
| DIMENSIONS: 単位: 耗 MM | | CHK K.BETSUI 21OCT03 | | |
| TOLERANCES UNLESS OTHERWISE SPECIFIED: 一般公差 | | APVD K.BETSUI 21OCT03 | NAME 名称 250 SERIES HOUSING LANCE CONNECTOR | |
| | | PRODUCT SPEC 製品規格 SEE NOTE 5 | 2 POSITION CAP HOUSING | |
| MATERIAL 材料 6/6 ナイロン 6/6 NYLON | | APPLICATION SPEC 取付適用規格 | PANEL MOUNT TYPE | |
| FINISH 仕上 色 ; 表参照 COLOR; SEE TABLE | | WEIGHT - | SIZE A3 | CAGE CODE 00779 |
| | | DRAWING NO 番号 G-172383 | | RESTRICTED TO - |
| | | CUSTOMER DRAWING | | SCALE 尺度 2:1 |
| | | | | SHEET 1 OF 1 |
| | | | | REV C2 |