



Chipsmall Limited consists of a professional team with an average of over 10 year of expertise in the distribution of electronic components. Based in Hongkong, we have already established firm and mutual-benefit business relationships with customers from,Europe,America and south Asia,supplying obsolete and hard-to-find components to meet their specific needs.

With the principle of “Quality Parts,Customers Priority,Honest Operation,and Considerate Service”,our business mainly focus on the distribution of electronic components. Line cards we deal with include Microchip,ALPS,ROHM,Xilinx,Pulse,ON,Everlight and Freescale. Main products comprise IC,Modules,Potentiometer,IC Socket,Relay,Connector.Our parts cover such applications as commercial,industrial, and automotives areas.

We are looking forward to setting up business relationship with you and hope to provide you with the best service and solution. Let us make a better world for our industry!



Contact us

Tel: +86-755-8981 8866 Fax: +86-755-8427 6832

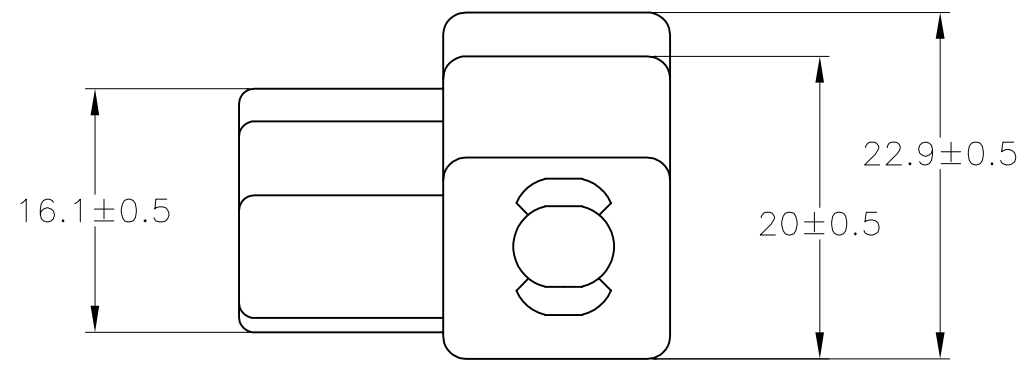
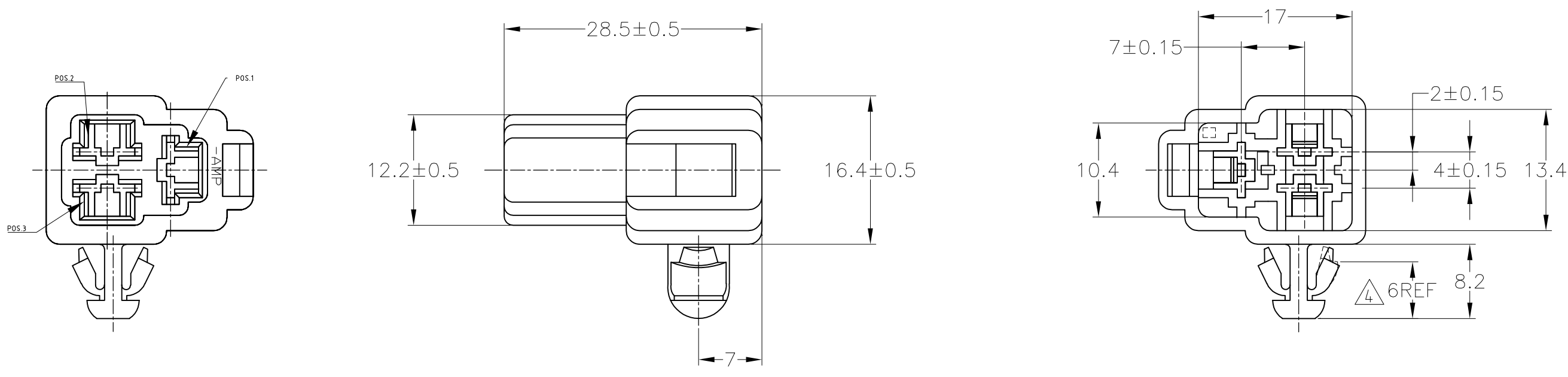
Email & Skype: info@chipsmall.com Web: www.chipsmall.com

Address: A1208, Overseas Decoration Building, #122 Zhenhua RD., Futian, Shenzhen, China



THIS DRAWING IS UNPUBLISHED. RELEASED FOR PUBLICATION
 © COPYRIGHT BY TYCO ELECTRONICS CORPORATION. ALL RIGHTS RESERVED.

LOC	DIST	REVISIONS					
		P	LTR	DESCRIPTION	DATE	DWN	APVD
J	—	B1	REDRAWN W/CHANGE	ECR-07-030673	19DEC07	TS	KB
		B2	REVISED PER ECO-13-017142		01NOV13	B.P	D.Z



- 1. 嵌合する相手ハウジングは型番 172132
- 2. 適用端子は型番 170340, 170341, 170349
- 3. 適用パネル穴径 7.0mm, 板厚 0.65~1.2mm
- △4 パネルに取付けた時のパネル内側に必要なスペース (参考寸法)

- 1. THE MATING COUNTERPART NUMBER 172132
- 2. APPLIDE CONTACT; PART NUMBER 170340, 170341 AND 170349.
- 3. APPLICABLE PANEL: HOLD DIMENSION 7.0mm
: THICKNESS 0.65~1.2mm

- △4 A SPACING REQUIRED INSIDE OF THE PANEL FOR MOUNTING PANEL (REFERENCE DIMENSION)
- △5 OBSOLETE PARTS: OBSOLETE CIS STREAMLINING PER D.RENAUD/D.SINISI

△5 OBSOLETE	淡灰 LIGHT GRAY	6-172384-6
	黄 YELLOW	172384-7
	灰 GRAY	172384-6
	緑 GREEN	172384-4
	茶 BROWN	172384-3
	黒 BLACK	172384-2
	自然色 NATURAL	172384-1
	COLOR 色	PART NUMBER 型番

THIS DRAWING IS A CONTROLLED DOCUMENT.		DWN T.SHINOHARA 19DEC07	Tyco Electronics Corporation Kawasaki, Japan	
DIMENSIONS: 単位: 耗 mm	TOLERANCES UNLESS OTHERWISE SPECIFIED: 一般公差	CHK K.BETSUI 19DEC07	NAME 名称 B2	
	0 PLC ±-	APVD K.BETSUI 19DEC07	PRODUCT SPEC 製品規格	
	1 PLC ±-		APPLICATION SPEC 取付適用規格	
	2 PLC ±-		SIZE A3	CAGE CODE 00779
	3 PLC ±-		DRAWING NO G-172384	RESTRICTED TO
	4 PLC ±-		WEIGHT -	
	ANGLES ±-		CUSTOMER DRAWING	
MATERIAL 材料 6/6 NYLON	FINISH 仕上 SEE TABLE		SCALE 尺度 2:1	SHEET 1 OF 1
				REV B2

一般公差 (GENERAL TOLERANCE)
10以下 : ±0.2
10を超え 30以下 : ±0.25
30を超え 100以下 : ±0.3
角 度 : ±3°