



Chipsmall Limited consists of a professional team with an average of over 10 year of expertise in the distribution of electronic components. Based in Hongkong, we have already established firm and mutual-benefit business relationships with customers from,Europe,America and south Asia,supplying obsolete and hard-to-find components to meet their specific needs.

With the principle of “Quality Parts,Customers Priority,Honest Operation,and Considerate Service”,our business mainly focus on the distribution of electronic components. Line cards we deal with include Microchip,ALPS,ROHM,Xilinx,Pulse,ON,Everlight and Freescale. Main products comprise IC,Modules,Potentiometer,IC Socket,Relay,Connector.Our parts cover such applications as commercial,industrial, and automotives areas.

We are looking forward to setting up business relationship with you and hope to provide you with the best service and solution. Let us make a better world for our industry!



## Contact us

Tel: +86-755-8981 8866 Fax: +86-755-8427 6832

Email & Skype: info@chipsmall.com Web: www.chipsmall.com

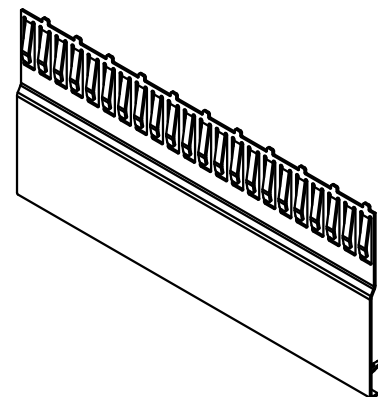
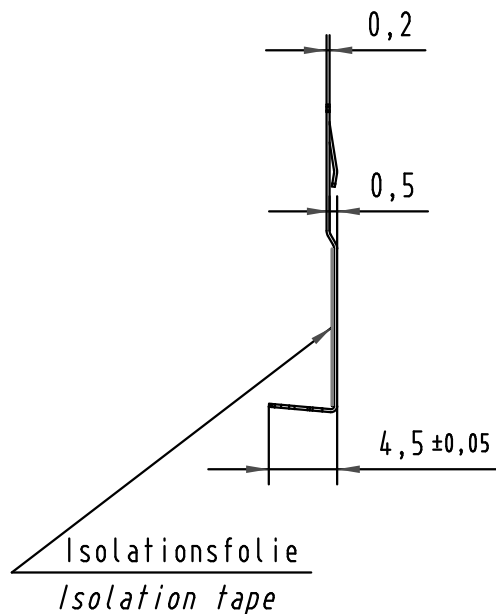
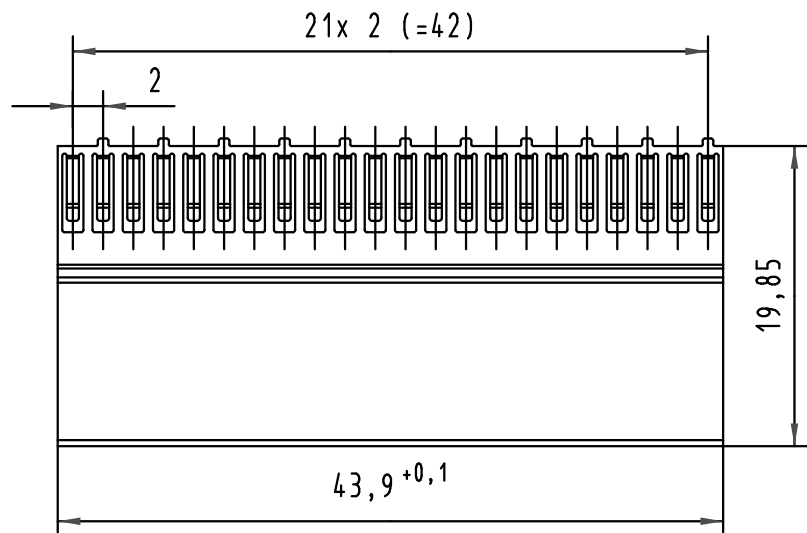
Address: A1208, Overseas Decoration Building, #122 Zhenhua RD., Futian, Shenzhen, China



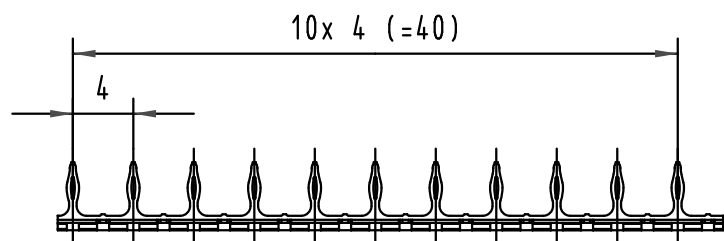
1 2 3 4 5 6

A

B



C



Einpreßanschluß für Fertigllochdurchmesser:  $0,6 \pm 0,05$   
 Press-in termination for plated through hole dia.:  $0,6 \pm 0,05$

Kontaktoberfläche: min.  $0,76 \mu\text{m}$  Gold (Au)  
 Contact plating: min.  $30 \mu\text{in}$  gold (Au)

D

All Dimensions in mm Original Size DIN A 4			Techn. Character.			Nicht tolerierte Maße/ Free size tolerances siehe / see IEC 61076-4-101		
				Dat.	Name	Maßstab/Scale <b>2:1</b>	har-bus HM	
			Detail.	30.06.99	Hm		Schirmblech Typ B-22 Reihe z	
34275	29.05.07	Hl.	Insp.	30.06.99	Ko		har-bus HM	
28692	20.09.00	Koe	Stand.				shield type B-22 row z	
26905	10.11.99	Hm	HARTING Electronics GmbH & Co. KG				TB 17 24 000 4102	
26072			D-32339 ESPELKAMP				Sub.	
Mod.	Dat.	Name					Blatt/ page	