



Chipsmall Limited consists of a professional team with an average of over 10 year of expertise in the distribution of electronic components. Based in Hongkong, we have already established firm and mutual-benefit business relationships with customers from,Europe,America and south Asia,supplying obsolete and hard-to-find components to meet their specific needs.

With the principle of "Quality Parts,Customers Priority,Honest Operation,and Considerate Service",our business mainly focus on the distribution of electronic components. Line cards we deal with include Microchip,ALPS,ROHM,Xilinx,Pulse,ON,Everlight and Freescale. Main products comprise IC,Modules,Potentiometer,IC Socket,Relay,Connector.Our parts cover such applications as commercial,industrial, and automotives areas.

We are looking forward to setting up business relationship with you and hope to provide you with the best service and solution. Let us make a better world for our industry!



Contact us

Tel: +86-755-8981 8866 Fax: +86-755-8427 6832

Email & Skype: info@chipsmall.com Web: www.chipsmall.com

Address: A1208, Overseas Decoration Building, #122 Zhenhua RD., Futian, Shenzhen, China



PRINT DIST

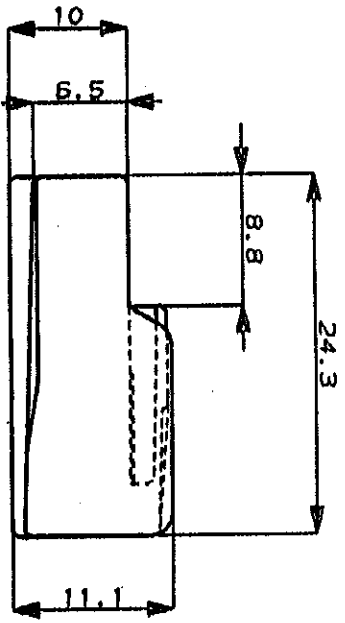
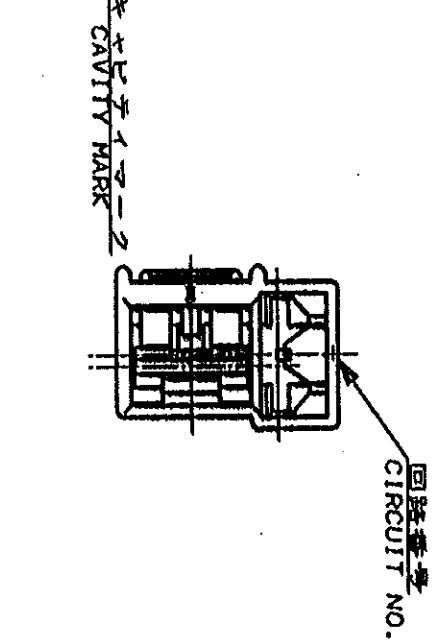
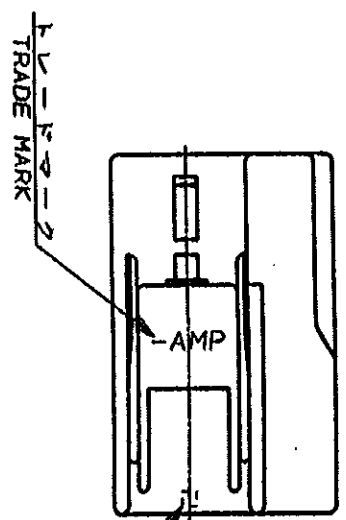
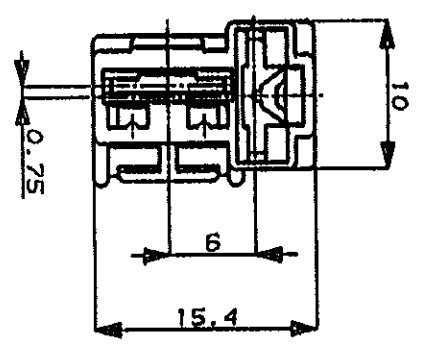
単位: ㎜ DIMENSIONS IN MM. DO NOT SCALE PRINT

METRIC



NUMBER

C-172434



NOTE;

- 1 PRODUCT SPEC NO. 108-5164
- 2 APPLICATION SPEC NO. 114-5052, 114-5060
- 3 CUSTOMER MANUAL NO. CM-177J
- 4 APPLIED CONTACT P/N 170032, 170452, 170454, 170456

注:

- 1 製品規格番号: 108-5164
- 2 取付適用規格番号: 114-5052, 114-5060
- 3 取扱説明書番号: CM-177J
- 4 適用コンタクト型番: 170032, 170452, 170454, 170456

Copyright ©19 年 All Rights Reserved.		Copyright ©19 年 All Rights Reserved.	
材料 (MATERIAL) 65-110 65 NYLON		色 (COLOR) 参照表 SEE TABLE	
250 SERIES AUTOMOTIVE LOCK COMBINATION HOUSING (T-TYPE) オートモーティブロック コンビネーションハウジング (T型)		250シリーズオートモーティブロック コンビネーションハウジング (T型)	
公差 (TOLERANCE) 寸法: ±0.2 穴径: ±0.3 穴径公差: ±0.3		公差 (TOLERANCE) 寸法: ±0.2 穴径: ±0.3 穴径公差: ±0.3	
LDC 番号 (NO.) C-172434		LDC 番号 (NO.) C-172434	
REV. A		REV. A	
SHEET 1 OF 1		SHEET 1 OF 1	

(CUSTOMER DRAWING) 参考 図