



Chipsmall Limited consists of a professional team with an average of over 10 year of expertise in the distribution of electronic components. Based in Hongkong, we have already established firm and mutual-benefit business relationships with customers from,Europe,America and south Asia,supplying obsolete and hard-to-find components to meet their specific needs.

With the principle of “Quality Parts,Customers Priority,Honest Operation,and Considerate Service”,our business mainly focus on the distribution of electronic components. Line cards we deal with include Microchip,ALPS,ROHM,Xilinx,Pulse,ON,Everlight and Freescale. Main products comprise IC,Modules,Potentiometer,IC Socket,Relay,Connector.Our parts cover such applications as commercial,industrial, and automotives areas.

We are looking forward to setting up business relationship with you and hope to provide you with the best service and solution. Let us make a better world for our industry!



## Contact us

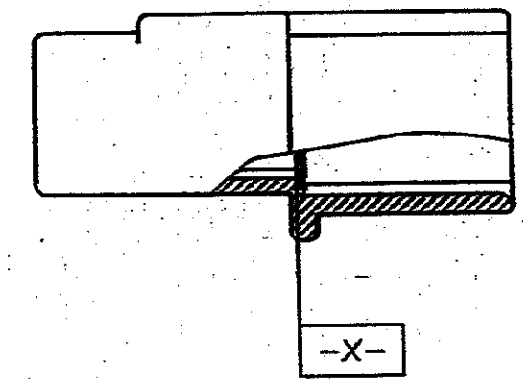
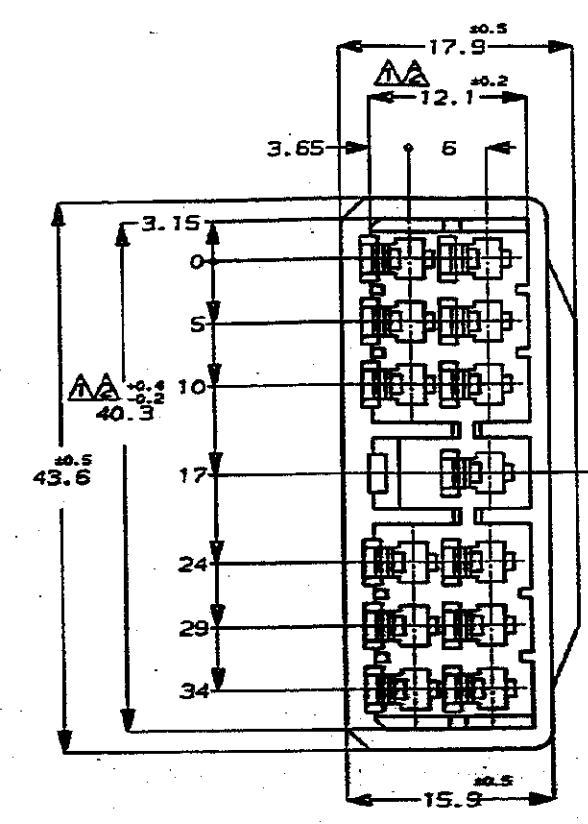
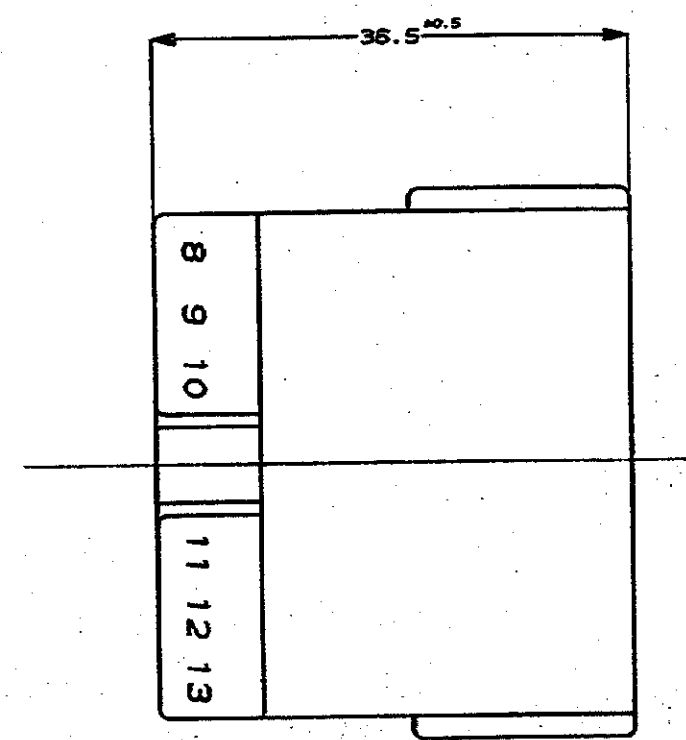
Tel: +86-755-8981 8866 Fax: +86-755-8427 6832

Email & Skype: info@chipsmall.com Web: www.chipsmall.com

Address: A1208, Overseas Decoration Building, #122 Zhenhua RD., Futian, Shenzhen, China



NUMBER C-172508  
 METRIC  
 正角座 (30° ANGLE PROJECTION)



NOTES;  
 △ TO BE MEASURED WITH IN 2mm FROM [A]  
 △ IN COUPLING WITH THE PLUG HOUSING MATING SATISFIES FUNCTION  
 3 APPLIED CONTACT P/N 172777, 172779  
 4 PRODUCT SPEC No. 108-5166  
 5 IN COUPLING WITH THE PLUG HOUSING MATING FORCE 29.4N(3Kgf) MAX. WITHOUT REC CONTACT

注;  
 △ [A] 面より2mmの範囲で測定  
 △ 相手ハウジングと所定の機能を満たして嵌合できること  
 3 内装するタブコンタクト型番172777, 172779他  
 4 製品規格 NO.108-5166  
 5 相手ハウジングとの嵌合力は29.4N(3Kgf)以下 但しタブコンタクトは含まない

172508-7	黄 (YELLOW)
172508-6	灰 (GRAY)
172508-5	青 (BLUE)
172508-4	緑 (GREEN)
172508-3	茶 (BROWN)
172508-2	黒 (BLACK)
172508-1	自然色 (NATURAL)
番号 (P/N)	色 (COLOR)

PRINT DIST  
 DIMENSIONS IN MM. DO NOT SCALE PRINT  
 REV. 10/83

Copyright ©1982 AMP (Japan), LTD. ALL RIGHTS RESERVED.		Copyright ©1982 AMP (Japan), LTD. ALL RIGHTS RESERVED.		日本エレクトロニクス株式会社 Tokyo, Japan	
線径 (WIRE RANGE)	絶縁径 (INSULATION DIA.)	名称 (NAME) 13 Pos. CAP HOUSING MULTI-INTERLOCK CONN. (MIC-MKII) 13極 キャップハウジング マルチインターロックコネクタ (MIC-MKII)			
材料 (MATERIAL) NYLON ナイロン樹脂	仕上 (FINISH)	公差 (TOLERANCE)	LOC	番号 (No.) C-172508	
A 再作成 J-1630	DE. J. Yamada	10MT ±0.3 10MT ±0.25 30MT ±0.3 A ±0.3	B J	REV. A	SHEET 1 OF 1
LTR 変更 (REVISION RECORD)	DR 作成 DATE	(CUSTOMER DRAWING) 参考 <input checked="" type="checkbox"/> 面			