



Chipsmall Limited consists of a professional team with an average of over 10 year of expertise in the distribution of electronic components. Based in Hongkong, we have already established firm and mutual-benefit business relationships with customers from,Europe,America and south Asia,supplying obsolete and hard-to-find components to meet their specific needs.

With the principle of “Quality Parts,Customers Priority,Honest Operation,and Considerate Service”,our business mainly focus on the distribution of electronic components. Line cards we deal with include Microchip,ALPS,ROHM,Xilinx,Pulse,ON,Everlight and Freescale. Main products comprise IC,Modules,Potentiometer,IC Socket,Relay,Connector.Our parts cover such applications as commercial,industrial, and automotives areas.

We are looking forward to setting up business relationship with you and hope to provide you with the best service and solution. Let us make a better world for our industry!



Contact us

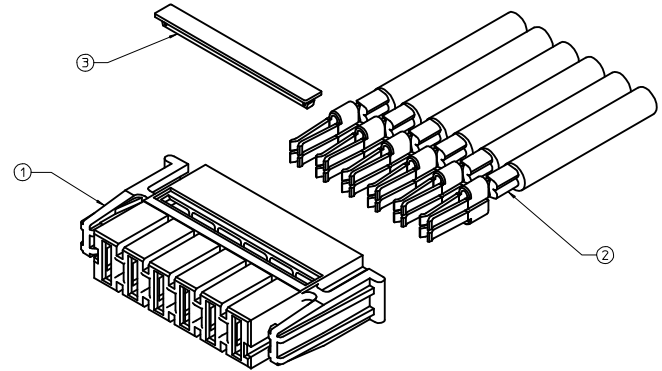
Tel: +86-755-8981 8866 Fax: +86-755-8427 6832

Email & Skype: info@chipsmall.com Web: www.chipsmall.com

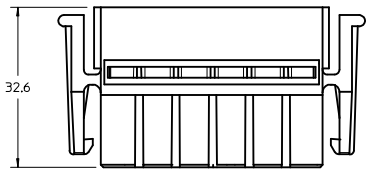
Address: A1208, Overseas Decoration Building, #122 Zhenhua RD., Futian, Shenzhen, China



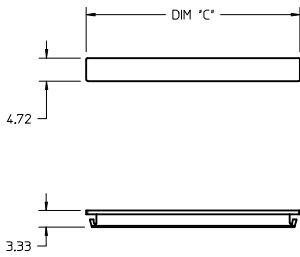
CKT SIZE	① MAIN HOUSING	② POWER TERMINAL	③ TPA	DIMENSION " A "	DIMENSION " B "	DIMENSION " C "
	MATERIAL: PBT, UNFILLED	MATERIAL: COPPER ALLOY FINISH: TIN OVER NICKEL W/SELECT GOLD	MATERIAL: PBT, FILLED			
2P	172509-0222	173693-****	46708-3200	15.32	32.66	13.65
3P	172509-0223	173693-****	46708-3300	22.82	40.16	21.15
4P	172509-0224	173693-****	46708-3400	30.32	47.66	28.65
5P	172509-0225	173693-****	46708-3500	37.82	55.16	36.15
6P	172509-0226	173693-****	46708-3600	45.32	62.66	43.65



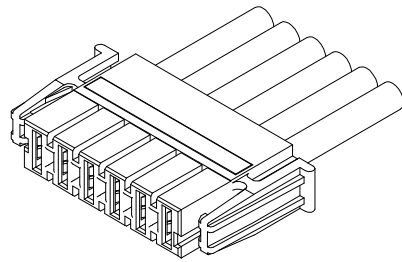
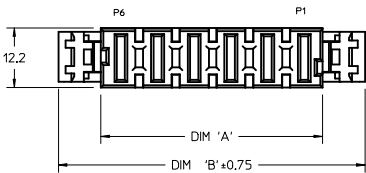
MAIN HOUSING



TPA



EXPLODED VIEW



NOTES:

- SEE CHART FOR MATERIAL DETAILS
- PART MATES TO MOLEX PLUG SERIES 172452
- ASSEMBLY SHOWN FOR REFERENCE ONLY. EACH ITEM HAS TO BE ORDERED SEPARATELY.
- SEE SD-173693-001 FOR POWER TERMINAL DETAILS.

CHG TRML P/N EEC NO: UCP2016-4071 DRWN: JSCHAFFER 2016/04/18 CHKD: APPR: BPISZCZOR 2016/10/03 REV DESCRIPTION	QUALITY SYMBOLS	GENERAL TOLERANCES (UNLESS SPECIFIED)	DIMENSION STYLE MM ONLY	SCALE 2:1	DESIGN UNITS METRIC	THIRD ANGLE PROJECTION
	$\nabla=0$ $\nabla=0$ $\nabla=0$	4 PLACES ±0.13 3 PLACES ±0.25 2 PLACES ±0.50 1 PLACE ±1.00 0 PLACE ±1.50	mm INCH ±0.13 ±0.005 ±0.25 ±0.010 ±0.50 ±0.020 ±1.00 ±0.040 ±1.50 ±0.060	DRAWN BY DATE JSCHAFFER 2014/01/08 CHECKED BY DATE APPROVED BY DATE BPISZCZOR 2016/10/03	TITLE	ASSEMBLY TEN60 POWER ONLY 2-6 CKTS molex
		ANGULAR ±1/2° DRAFT WHERE APPLICABLE MUST REMAIN WITHIN DIMENSIONS	SEE CHART SIZE D	THIS DRAWING CONTAINS INFORMATION THAT IS PROPRIETARY TO MOLEX INCORPORATED AND SHOULD NOT BE USED WITHOUT WRITTEN PERMISSION		