



Chipsmall Limited consists of a professional team with an average of over 10 year of expertise in the distribution of electronic components. Based in Hongkong, we have already established firm and mutual-benefit business relationships with customers from,Europe,America and south Asia,supplying obsolete and hard-to-find components to meet their specific needs.

With the principle of “Quality Parts,Customers Priority,Honest Operation,and Considerate Service”,our business mainly focus on the distribution of electronic components. Line cards we deal with include Microchip,ALPS,ROHM,Xilinx,Pulse,ON,Everlight and Freescale. Main products comprise IC,Modules,Potentiometer,IC Socket,Relay,Connector.Our parts cover such applications as commercial,industrial, and automotives areas.

We are looking forward to setting up business relationship with you and hope to provide you with the best service and solution. Let us make a better world for our industry!



Contact us

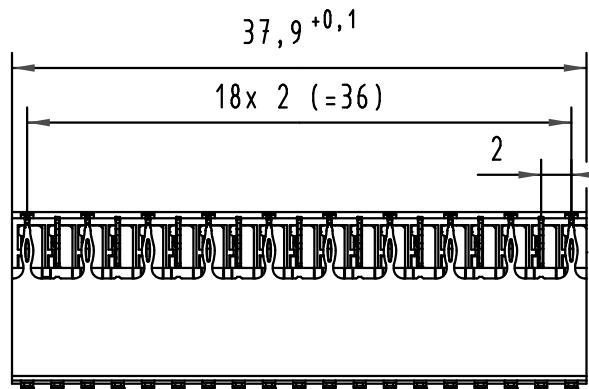
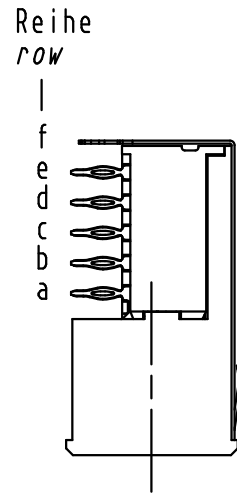
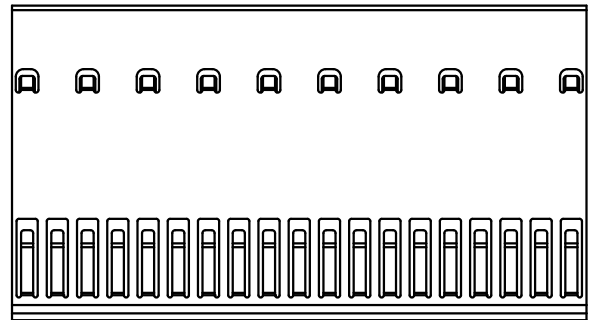
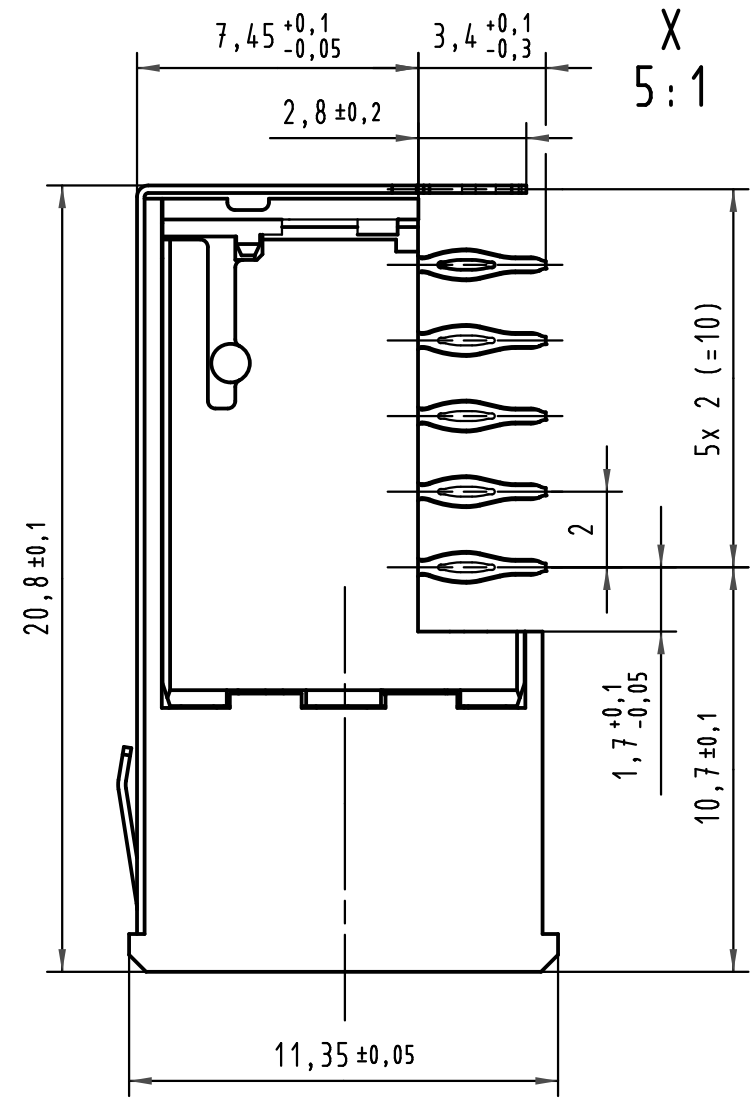
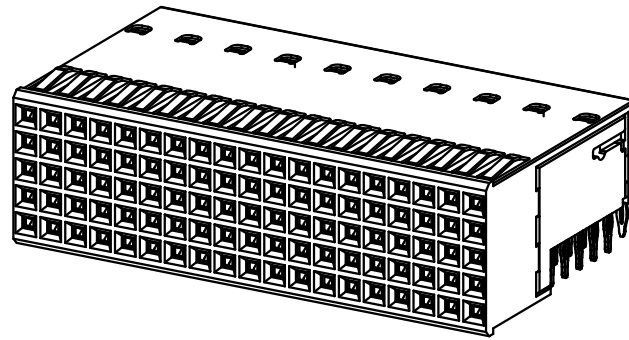
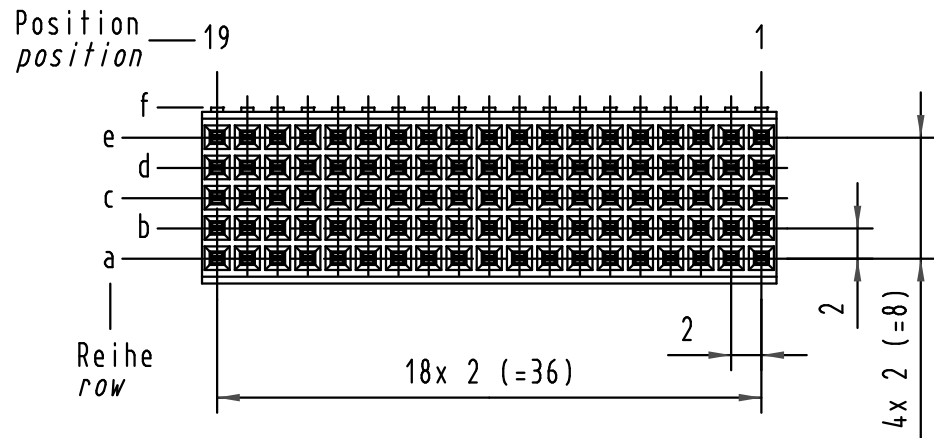
Tel: +86-755-8981 8866 Fax: +86-755-8427 6832

Email & Skype: info@chipsmall.com Web: www.chipsmall.com

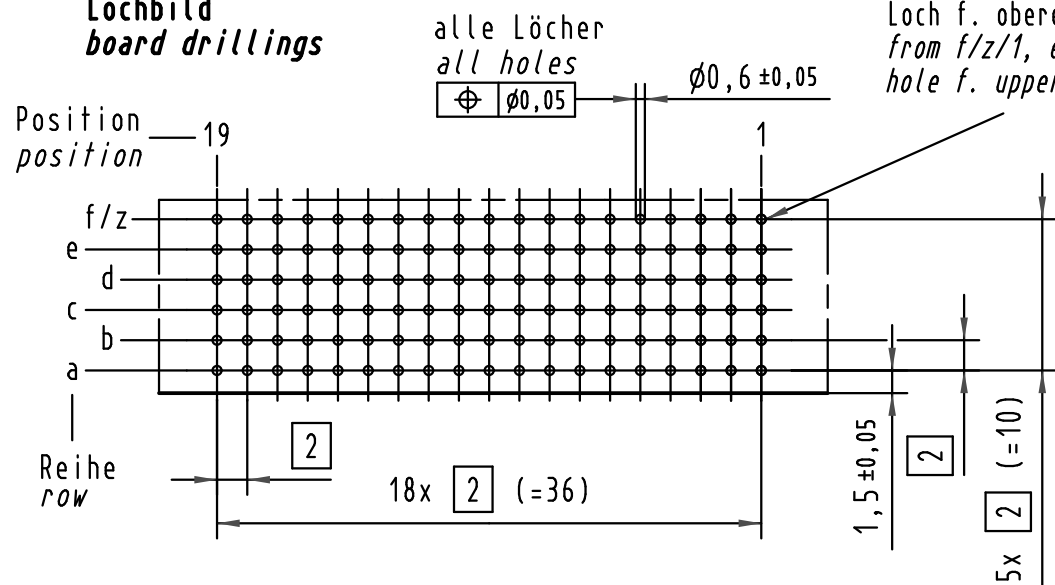
Address: A1208, Overseas Decoration Building, #122 Zhenhua RD., Futian, Shenzhen, China



Alle Rechte vorbehalten/ All rights reserved



**Lochbild
board drillings**



alle Löcher
all holes
⊕ $\phi 0,05$ $\phi 0,6 \pm 0,05$

Von f/z/1 aus, jedes 2.
Loch f. obere Abschirmung
from f/z/1, each 2nd
hole f. upper shielding

Bohrlochdurchmesser: $\phi 0,7 \pm 0,02$ mm
Lochdurchmesser (mit Oberfläche): $\phi 0,6 \pm 0,05$ mm
drill hole dia.: $\phi 0,7 \pm 0,02$ mm
through hole dia. (after plating): $\phi 0,6 \pm 0,05$ mm

17 25 095 <u>4</u> 102	—	min.0,76µm (30µm) Au über/over min.1,27µm (50µm) Ni
17 25 095 <u>2</u> 102	2	Au über/over Ni
17 25 095 <u>1</u> 102	1	Au über/over Ni
Bestell-Nr. part-no.	Anforderungsstufe nach IEC performance level acc. to IEC	Kontaktoberfläche contact plating

All Dimensions in mm Original Size DIN A 3			Techn. Character.			Nicht tolerierte Maß/Free size tolerances IEC 61076-4-101	
Mod.	Dat.	Name	Dat.	Name	Maßstab/Scale		
35456	01.12.08	TD	Detail.	30.06.99	Hm	2:1 (5:1)	har-bus HM Federleiste, Typ B-19, 95 pol. mit Schirmblech Reihe-f har-bus HM female connector, type B-19, 95 pol. with shield row-f
32387	18.11.04	HL.	Insp.	30.06.99	Ko		
29412	07.05.01	Lk	Stand.				
28494	21.09.00	Koe					
25016			HARTING Electronics GmbH & Co. KG D-32339 ESPELKAMP				TB 17 25 095 x102