



Chipsmall Limited consists of a professional team with an average of over 10 year of expertise in the distribution of electronic components. Based in Hongkong, we have already established firm and mutual-benefit business relationships with customers from,Europe,America and south Asia,supplying obsolete and hard-to-find components to meet their specific needs.

With the principle of "Quality Parts,Customers Priority,Honest Operation,and Considerate Service",our business mainly focus on the distribution of electronic components. Line cards we deal with include Microchip,ALPS,ROHM,Xilinx,Pulse,ON,Everlight and Freescale. Main products comprise IC,Modules,Potentiometer,IC Socket,Relay,Connector.Our parts cover such applications as commercial,industrial, and automotives areas.

We are looking forward to setting up business relationship with you and hope to provide you with the best service and solution. Let us make a better world for our industry!



## Contact us

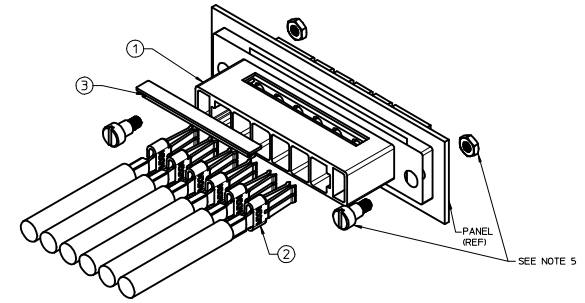
Tel: +86-755-8981 8866 Fax: +86-755-8427 6832

Email & Skype: info@chipsmall.com Web: www.chipsmall.com

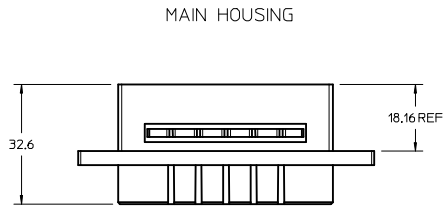
Address: A1208, Overseas Decoration Building, #122 Zhenhua RD., Futian, Shenzhen, China



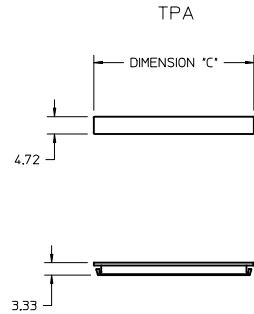
CKT SIZE	① MAIN HOUSING	② POWER TERMINAL	③ TPA	DIMENSION 'A'	DIMENSION 'B'	DIMENSION 'C'	DIMENSION 'D'
	MATERIAL: PBT, FILLED	MATERIAL: COPPER ALLOY FINISH: TIN OVER NICKEL W/ SELECT GOLD	MATERIAL: PBT, FILLED				
2P	172511-0002	173693-****	46708-3200	50,71	41,91	13,65	30,48
3P	172511-0003	173693-****	46708-3300	58,21	49,41	21,15	37,98
4P	172511-0004	173693-****	46708-3400	65,71	56,91	28,65	45,48
5P	172511-0005	173693-****	46708-3500	73,21	64,41	36,15	52,98
6P	172511-0006	173693-****	46708-3600	80,71	71,91	43,65	60,48



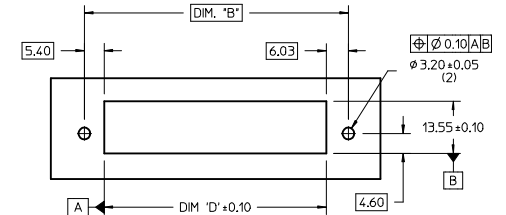
EXPLODED VIEW



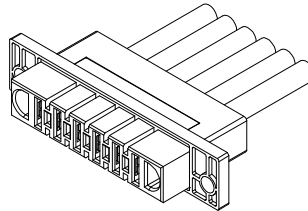
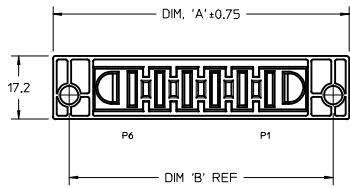
MAIN HOUSING



TPA



PANEL CUTOUT  
(FRONT VIEW)



NOTES:

- SEE CHART FOR MATERIAL DETAILS.
- PART MATES TO MOLEX PLUG SERIES 172457.
- ASSEMBLY SHOWN FOR REFERENCE ONLY. EACH ITEM HAS TO BE ORDERED SEPARATELY.
- SEE SD-173693-001 FOR POWER TERMINAL DETAILS.
- PANEL MOUNTING HARDWARE: (2) M3 X 0.5 X 4.00 LG PRECISION SHOULDER SCREWS AND (2)M3 X 0.5 HEX NUTS TO BE PURCHASED SEPARATELY BY CUSTOMER.

CHG TRML P/N EC NO: UCP2016-4071 DRWN: JSCHAFFER 2016/04/18 CHKD: APPR: BPSZCZOR 2016/10/03	QUALITY SYMBOLS	GENERAL TOLERANCES (UNLESS SPECIFIED)	DIMENSION STYLE MM ONLY	SCALE 1.5:1	DESIGN UNITS METRIC	THIRD ANGLE PROJECTION
	▽=0 ▽=0 ▽=0	4 PLACES ± --- ± --- 3 PLACES ± --- ± --- 2 PLACES ± 0.13 ± --- 1 PLACE ± 0.25 ± --- 0 PLACE ± --- ± ---	mm INCH	DRAWN BY DATE JSCHAFFER 2014/01/22	TITLE TEN60 RECEPTACLE ASSY 2-6 CIRCUIT PANEL TO BOARD	molex
DRAFT WHERE APPLICABLE MUST REMAIN WITHIN DIMENSIONS	ANGULAR ± 1/2°	APPROVED BY DATE BPSZCZOR 2016/10/03	MATERIAL NO. SEE CHART	DOCUMENT NO. SD-172511-001		