



Chipsmall Limited consists of a professional team with an average of over 10 year of expertise in the distribution of electronic components. Based in Hongkong, we have already established firm and mutual-benefit business relationships with customers from,Europe,America and south Asia,supplying obsolete and hard-to-find components to meet their specific needs.

With the principle of “Quality Parts,Customers Priority,Honest Operation,and Considerate Service”,our business mainly focus on the distribution of electronic components. Line cards we deal with include Microchip,ALPS,ROHM,Xilinx,Pulse,ON,Everlight and Freescale. Main products comprise IC,Modules,Potentiometer,IC Socket,Relay,Connector.Our parts cover such applications as commercial,industrial, and automotives areas.

We are looking forward to setting up business relationship with you and hope to provide you with the best service and solution. Let us make a better world for our industry!



Contact us

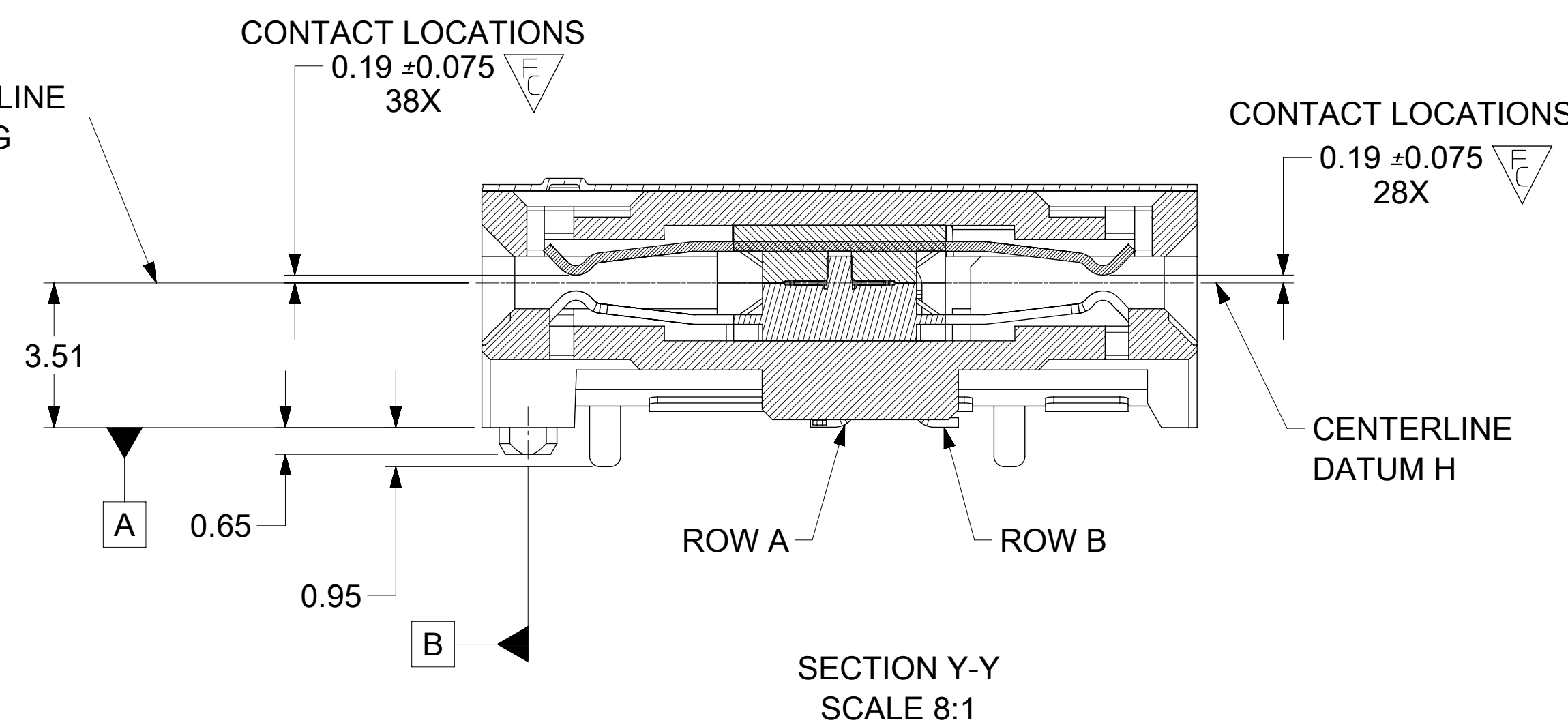
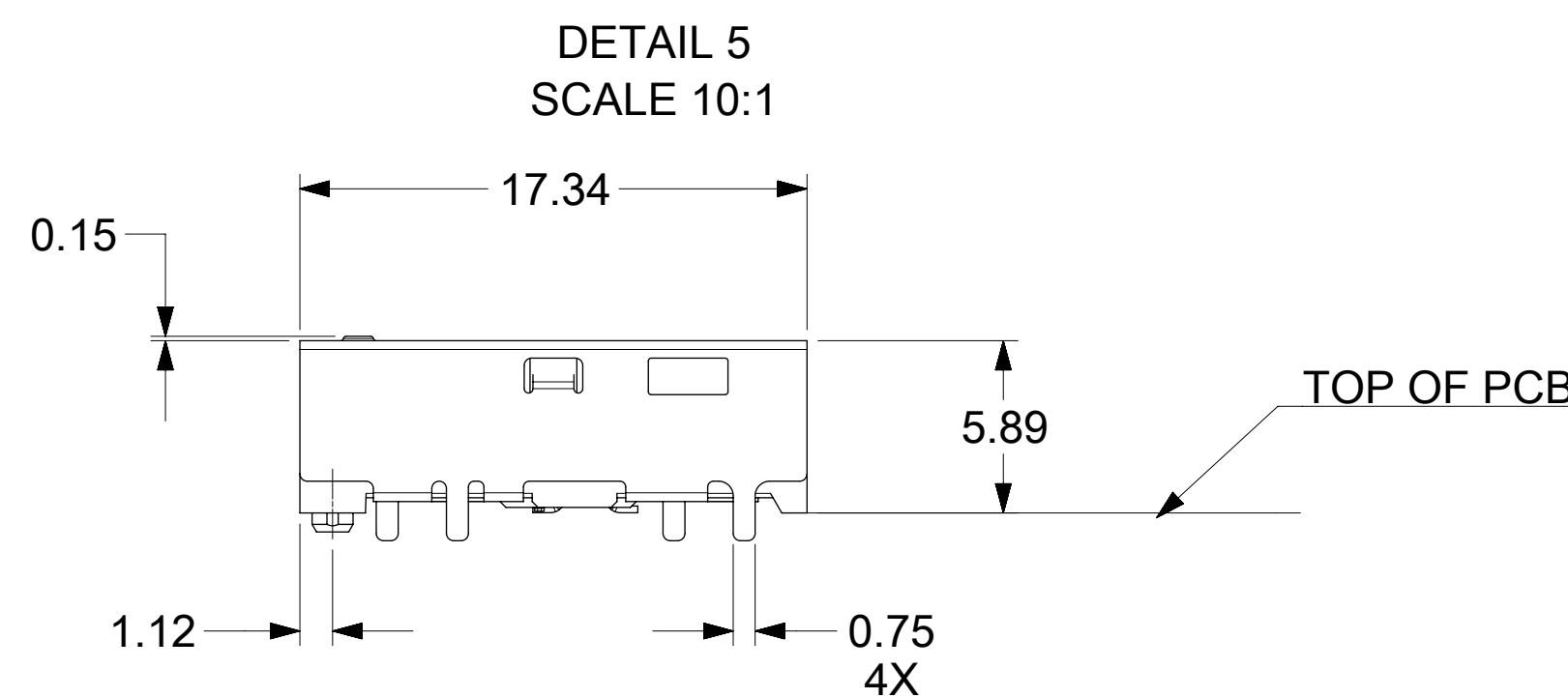
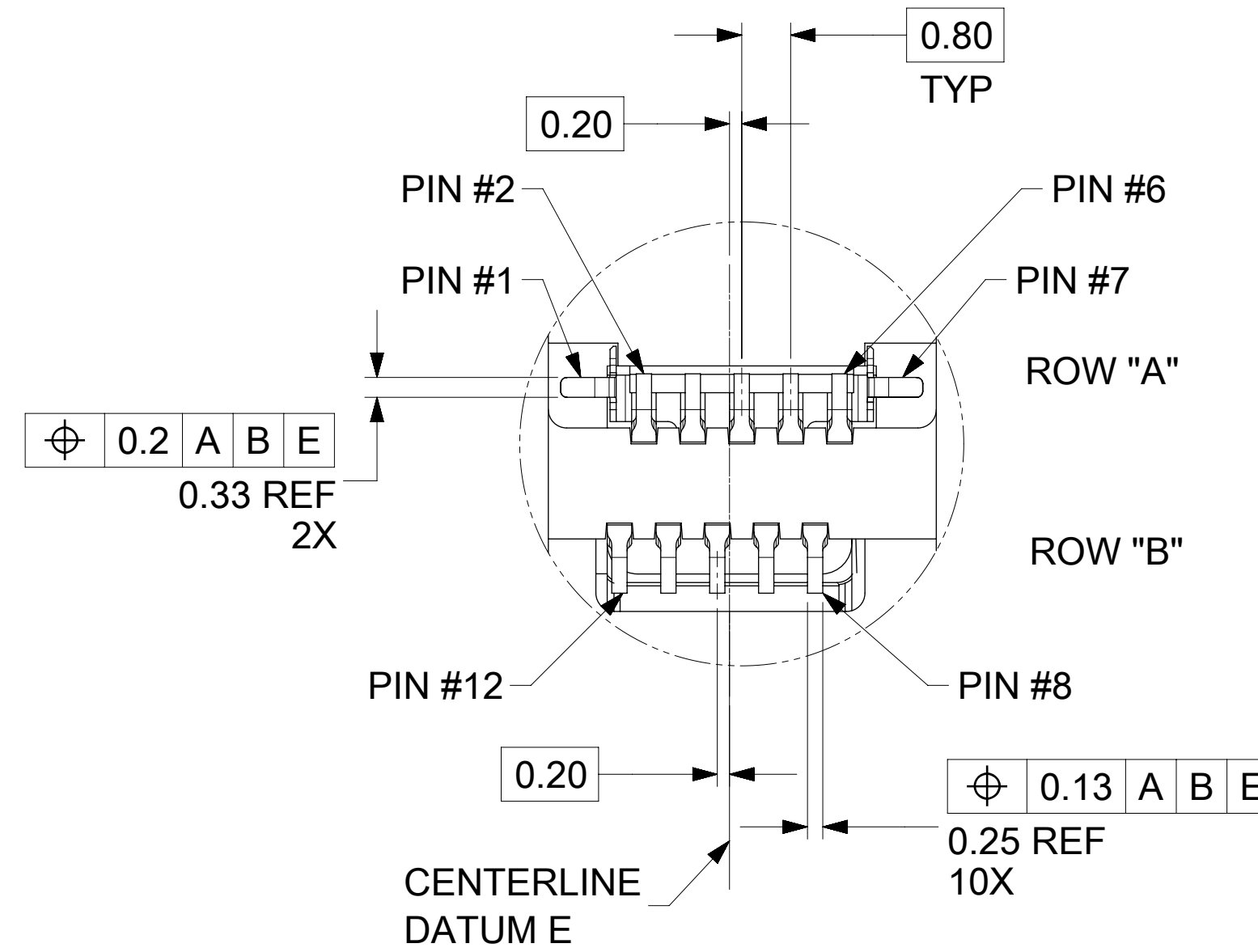
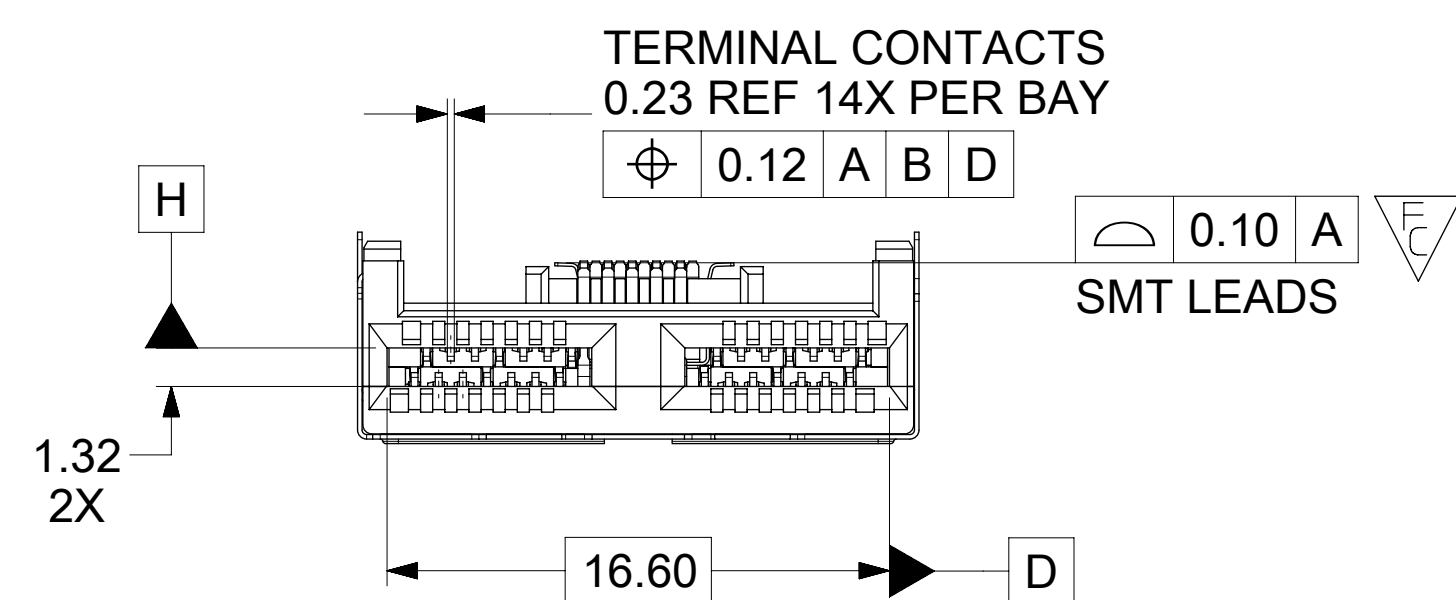
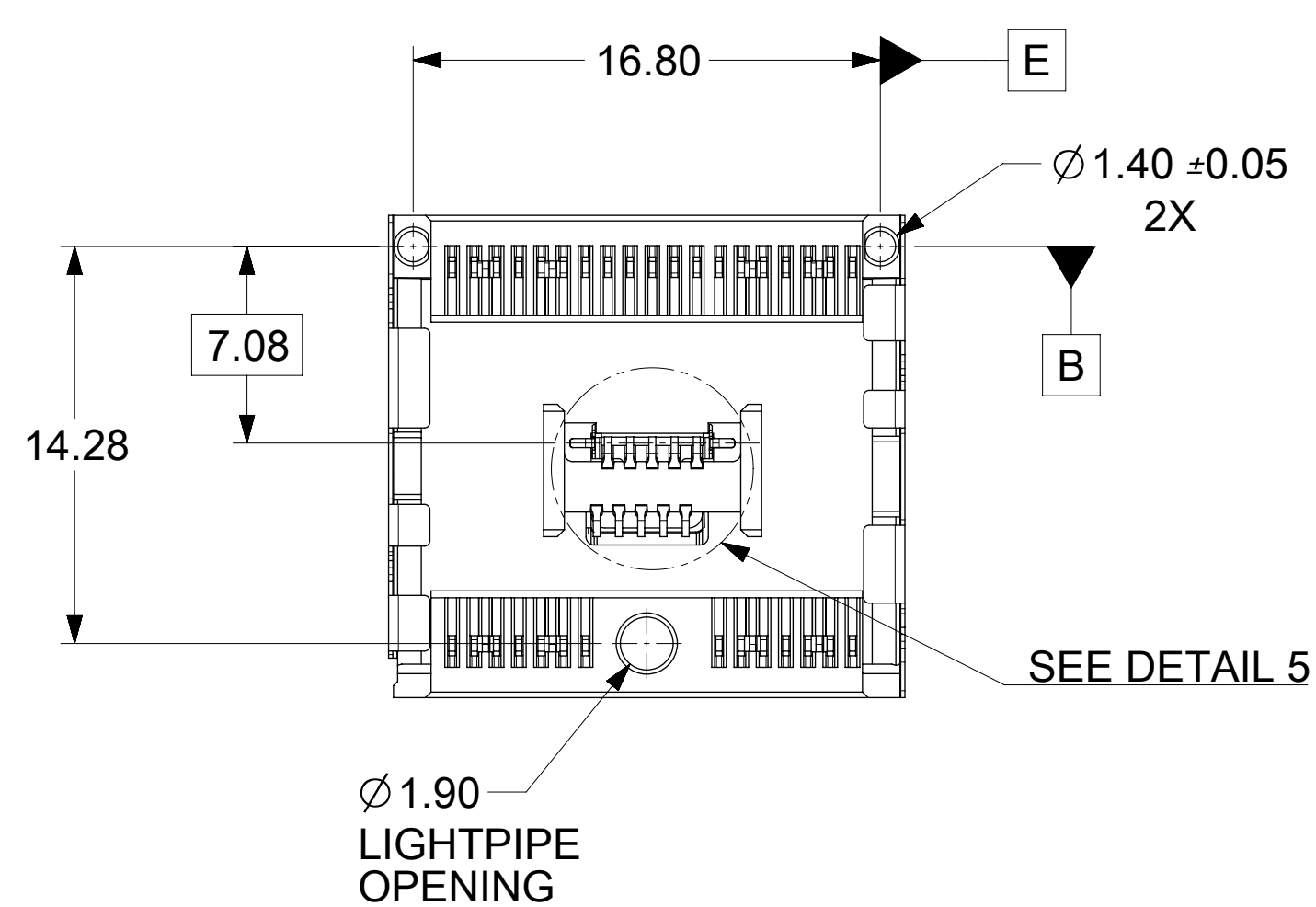
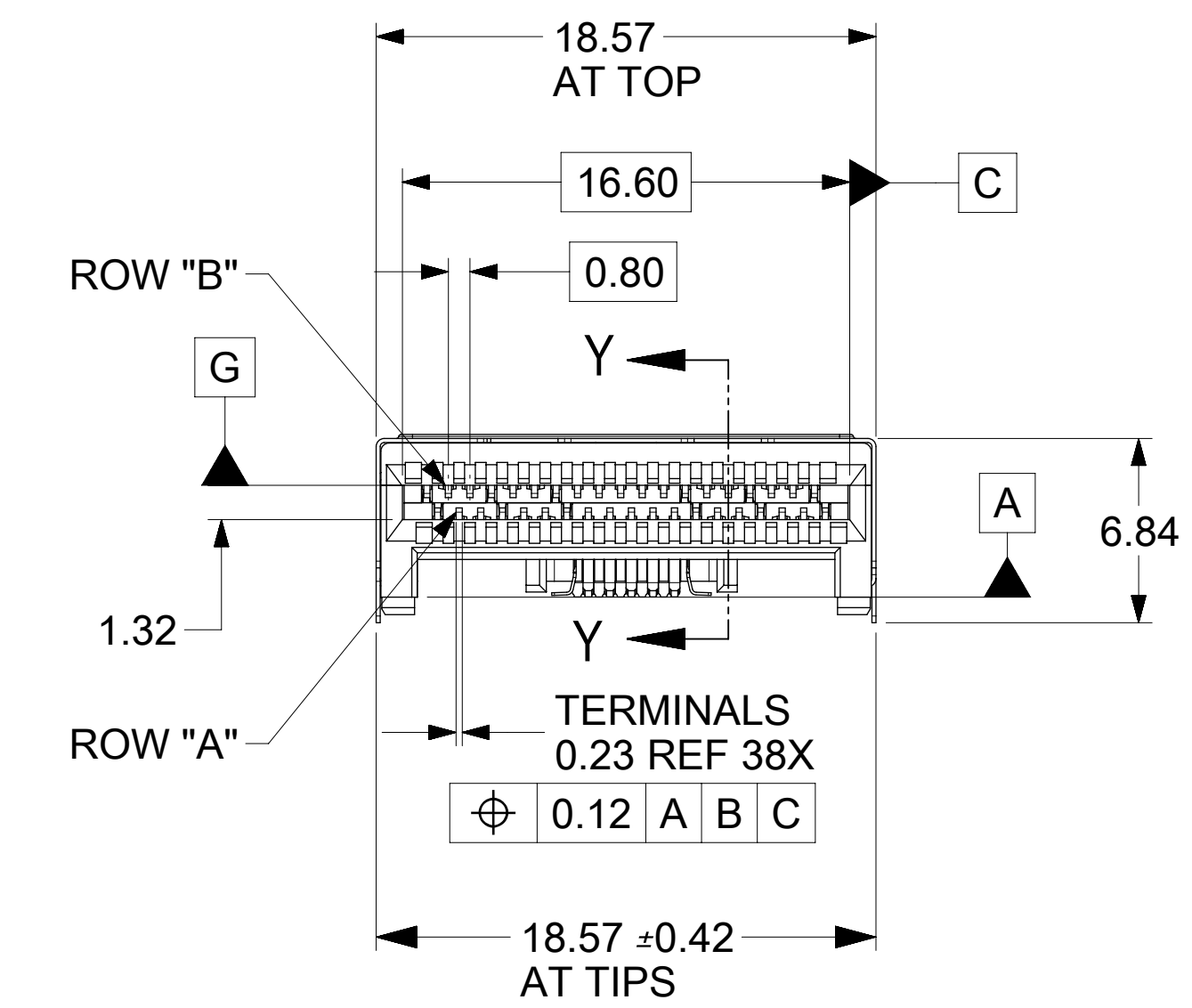
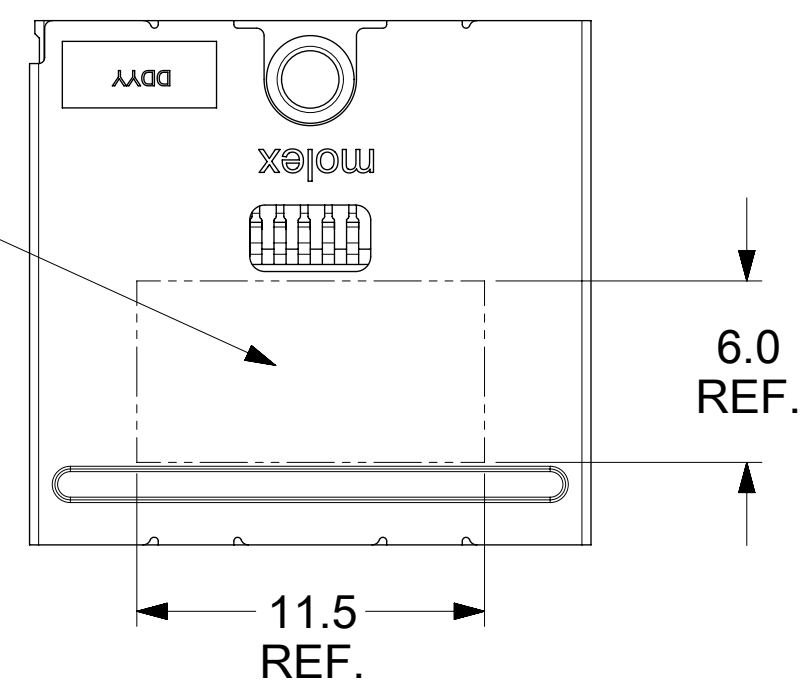
Tel: +86-755-8981 8866 Fax: +86-755-8427 6832

Email & Skype: info@chipsmall.com Web: www.chipsmall.com

Address: A1208, Overseas Decoration Building, #122 Zhenhua RD., Futian, Shenzhen, China

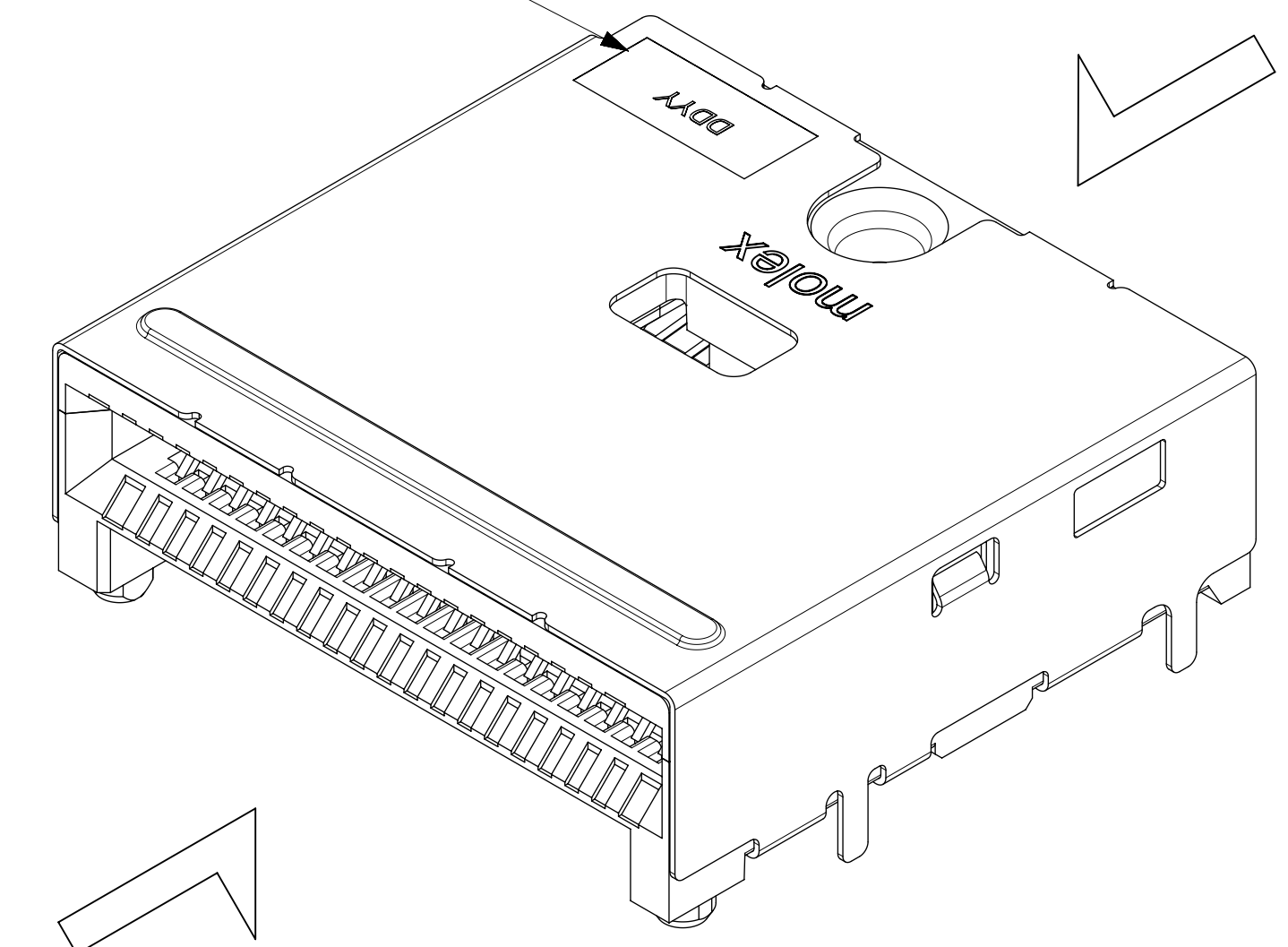


VACUUM PICK-UP AREA



DATE CODE
SEE NOTE 3

IFP CABLE PLUG SIDE

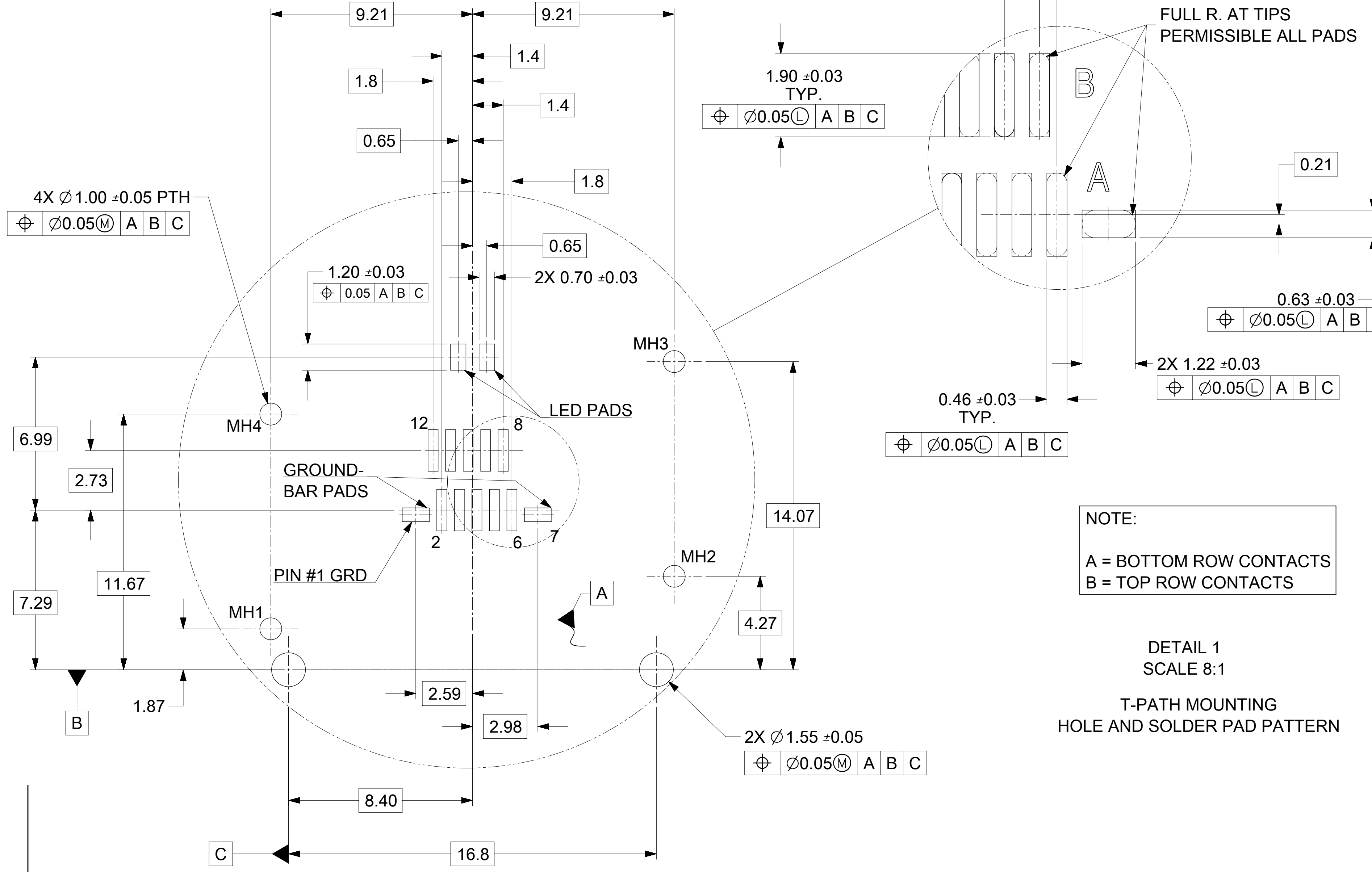
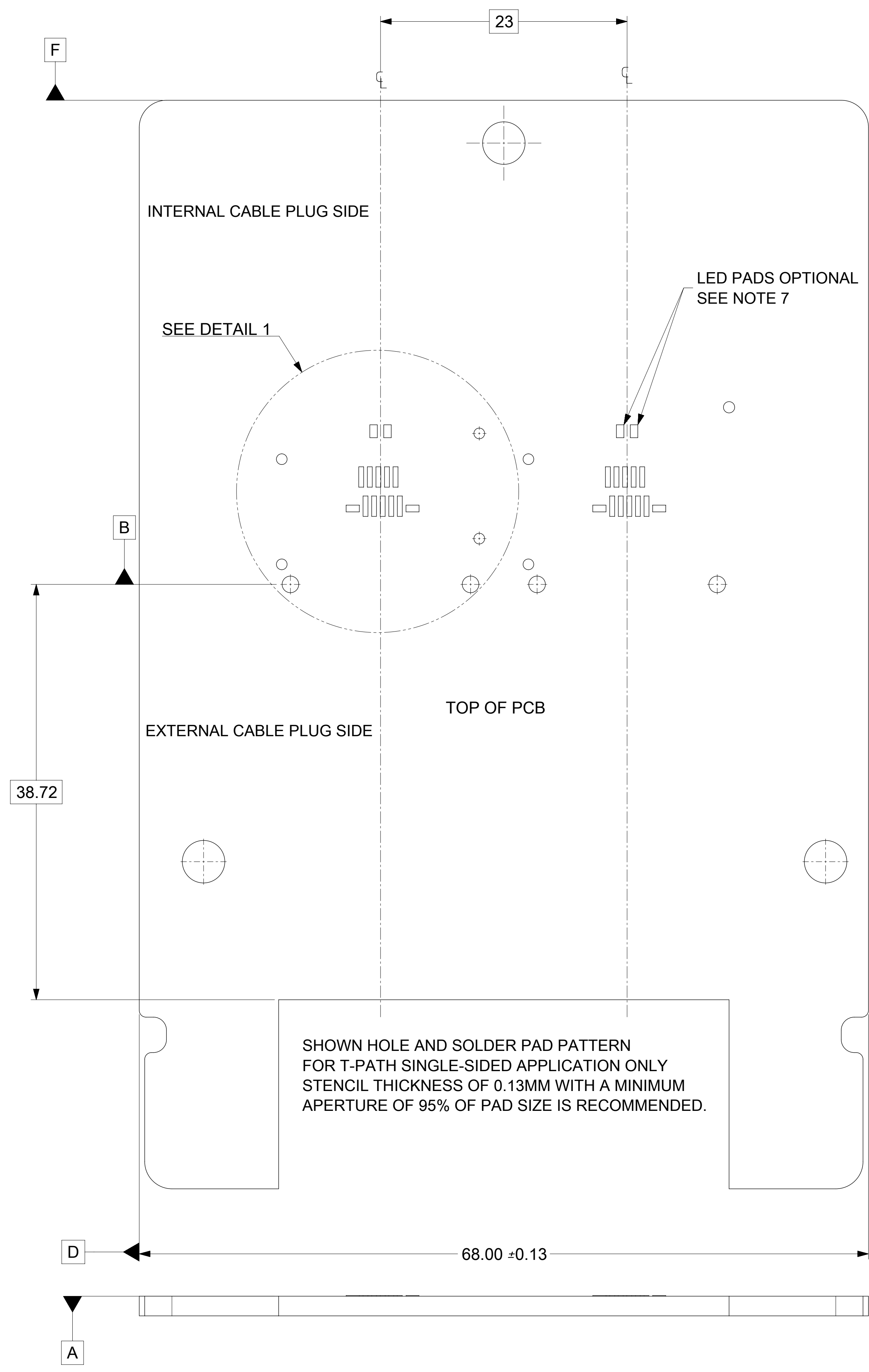


QSFP+ 28 CABLE PLUG SIDE

NOTES:

- MATERIAL - HOUSING - HALOGEN FREE GLASS FILLED, LCP
UL 94V-0, COLOR: BLACK
SHELLS: 0.15 THICK NICKEL-SILVER ALLOY, UNPLATED
TERMINALS - HIGH PERFORMANCE COPPER ALLOY
- PLATING - CONTACT AREA - 0.76 μm MIN GOLD OVER 2.54 μm NICKEL
SOLDER AREA - 2.54 -5.09 μm TIN OVER 2.54 μm MIN NICKEL
- DATE CODE: 4 DIGIT (3 DIGIT DAY, 1 DIGIT YEAR)
- CONFORMS TO PRODUCT SPECIFICATION: PS-172604-0001
- CONNECTOR ASSEMBLY IS RoHS AND LOW HALOGEN COMPLIANT
- DIMENSIONS AND TOLERANCES CONFORM TO AMSE Y14.5 2009
- LED IS OPTIONAL. RECOMMENDED LED PACKAGE: 1608/0603 0.4mm HIGH MAX.
- PACKAGING: TAPE AND REEL. PER PK-172604-9001.
- CONNECTOR TO BE USED IN CONJUNCTION WITH EMI CAGES SHOWN ON DRAWING SD-172604-2100
- IFP CABLE PLUG TO HAVE 1.0mm THICK PCB.

QUALITY SYMBOLS		THIS DRAWING CONTAINS INFORMATION THAT IS PROPRIETARY TO MOLEX ELECTRONIC TECHNOLOGIES, LLC AND SHOULD NOT BE USED WITHOUT WRITTEN PERMISSION		GENERAL TOLERANCES (UNLESS SPECIFIED)		DIMENSION UNITS		SCALE			
⊕ = 0	∠ = 3	∇ = 0	∇ = 0	∇ = 0	∇ = 0	mm	4:1	DRWN BY	DATE		
∇ = 0	∇ = 0	∇ = 0	∇ = 0	∇ = 0	∇ = 0	ANGULAR TOL ± 0.5 °		MWOLFE	2017/05/12	PRODUCT CUSTOMER DRAWING	
∇ = 0	∇ = 0	∇ = 0	∇ = 0	∇ = 0	∇ = 0	4 PLACES ±		CHKD BY	DATE	SERIES	
∇ = 0	∇ = 0	∇ = 0	∇ = 0	∇ = 0	∇ = 0	3 PLACES ±		BBARKER	2017/05/12	MATERIAL NUMBER	
∇ = 0	∇ = 0	∇ = 0	∇ = 0	∇ = 0	∇ = 0	2 PLACES ± 0.13		APPR BY	DATE	CUSTOMER	
∇ = 0	∇ = 0	∇ = 0	∇ = 0	∇ = 0	∇ = 0	1 PLACE ± 0.25		SMILLER	2017/05/19	172604	
∇ = 0	∇ = 0	∇ = 0	∇ = 0	∇ = 0	∇ = 0	0 PLACES ±		DRAWING SIZE	THIRD ANGLE PROJECTION	172604-0003	
∇ = 0	∇ = 0	∇ = 0	∇ = 0	∇ = 0	∇ = 0	DRAFT WHERE APPLICABLE MUST REMAIN WITHIN DIMENSIONS	D			GENERAL	
∇ = 0	∇ = 0	∇ = 0	∇ = 0	∇ = 0	∇ = 0					DOCUMENT NUMBER	
∇ = 0	∇ = 0	∇ = 0	∇ = 0	∇ = 0	∇ = 0					SD-172604-0003	
∇ = 0	∇ = 0	∇ = 0	∇ = 0	∇ = 0	∇ = 0					DOC TYPE	
∇ = 0	∇ = 0	∇ = 0	∇ = 0	∇ = 0	∇ = 0					PSD	
∇ = 0	∇ = 0	∇ = 0	∇ = 0	∇ = 0	∇ = 0					DOC PART	
∇ = 0	∇ = 0	∇ = 0	∇ = 0	∇ = 0	∇ = 0					001	
∇ = 0	∇ = 0	∇ = 0	∇ = 0	∇ = 0	∇ = 0					SHEET NUMBER	
∇ = 0	∇ = 0	∇ = 0	∇ = 0	∇ = 0	∇ = 0					1 OF 3	



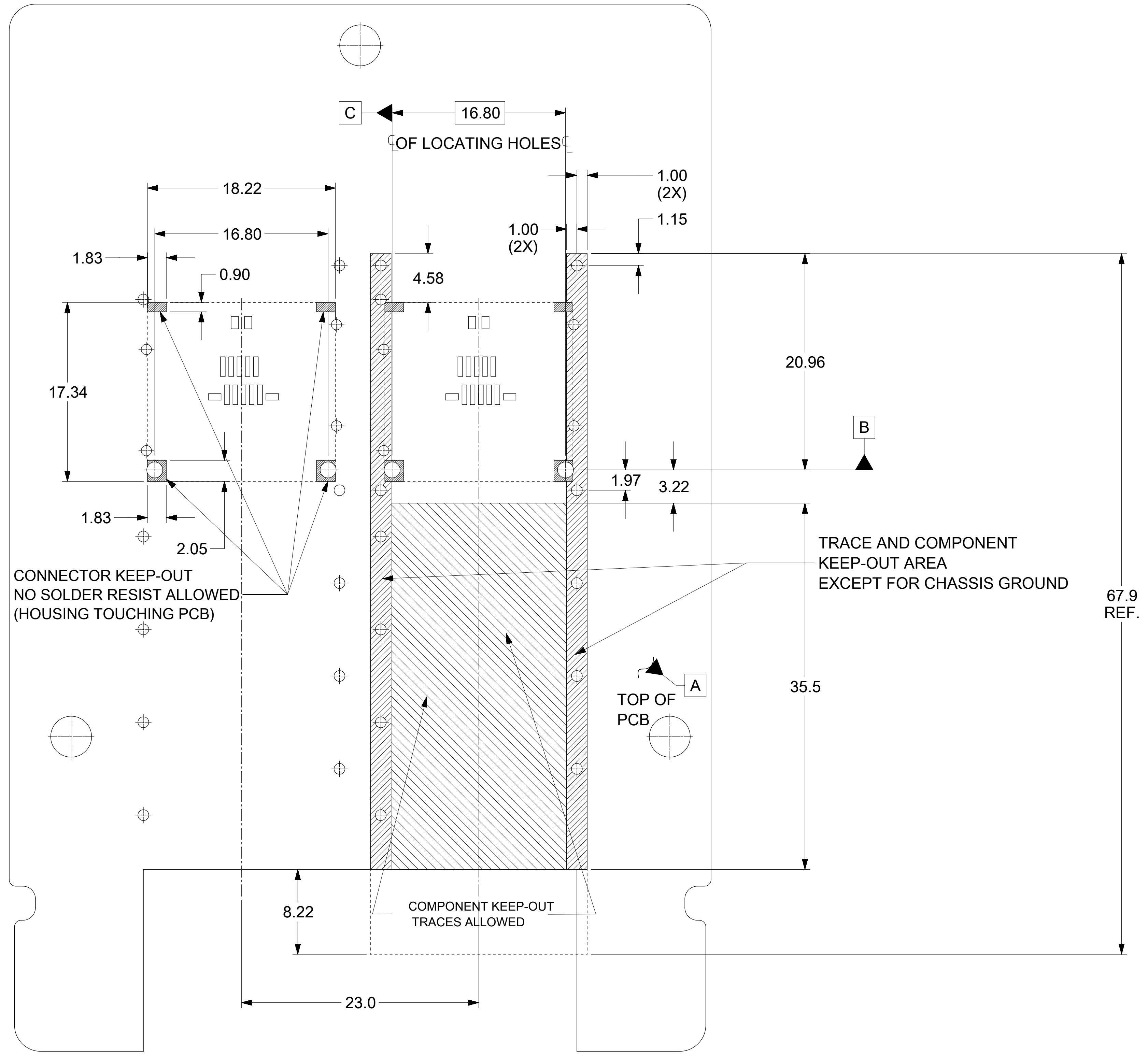
NOTE:
A = BOTTOM ROW CONTACTS
B = TOP ROW CONTACTS

DETAIL 1
SCALE 8:1
T-PATH MOUNTING
HOLE AND SOLDER PAD PATTERN

PCB LAYOUT FOR T-PATH CONNECTOR MOUNTING

FRONT OF CONNECTOR
(PLUG MODULE SIDE)

QUALITY SYMBOLS ▽ = 0 ▽ = 0 ▽ = 0 ▽ = 0 ▽ = 0 ▽ = 0 ▽ = 0 ▽ = 0 ▽ = 0 ▽ = 0 ▽ = 0	THIS DRAWING CONTAINS INFORMATION THAT IS PROPRIETARY TO MOLEX ELECTRONIC TECHNOLOGIES, LLC AND SHOULD NOT BE USED WITHOUT WRITTEN PERMISSION		DIMENSION UNITS mm	SCALE 4:1					
	GENERAL TOLERANCES (UNLESS SPECIFIED) ANGULAR TOL ± 0.5 ° 4 PLACES ± 3 PLACES ± 2 PLACES ± 0.13 1 PLACE ± 0.25 0 PLACES ± DRAFT WHERE APPLICABLE MUST REMAIN WITHIN DIMENSIONS	DRWN BY MWOLFE	DATE 2017/05/12	CHKD BY BBARKER		DATE 2017/05/12	PRODUCT CUSTOMER DRAWING SERIES: 172604 MATERIAL NUMBER: 172604-0003 CUSTOMER: GENERAL		
REV TAIL POSITIONS EC NO: 170877 DRWN: ABN CHKD: SVANG01 REV APPR: SMILLER	2018/01/09 2018/01/15 2018/01/24	APPR BY SMILLER	DATE 2017/05/19	DRAWING SIZE D	THIRD ANGLE PROJECTION	DOCUMENT NUMBER SD-172604-0003		DOC TYPE PSD	DOC PART 001



**T-PATH CONNECTOR AND EMI CAGE
KEEP-OUT ZONES**

QUALITY SYMBOLS □ = 0 ▽ = 0 ▽ = 0 ▽ = 0 ▽ = 0 ▽ = 0 ▽ = 0 ▽ = 0 ▽ = 0 ▽ = 0 ▽ = 0	THIS DRAWING CONTAINS INFORMATION THAT IS PROPRIETARY TO MOLEX ELECTRONIC TECHNOLOGIES, LLC AND SHOULD NOT BE USED WITHOUT WRITTEN PERMISSION									
	GENERAL TOLERANCES (UNLESS SPECIFIED) ANGULAR TOL ± 0.5 °		DIMENSION UNITS	SCALE						
	4 PLACES ± 3 PLACES ± 2 PLACES ± 0.13 1 PLACE ± 0.25 0 PLACES ±		mm	4:1						
	DRAFT WHERE APPLICABLE MUST REMAIN WITHIN DIMENSIONS		DRWN BY	DATE	T-PATH CONNECTOR HARDTOP ASSEMBLY					
			MWOLFE	2017/05/12						
			CHKD BY	DATE	PRODUCT CUSTOMER DRAWING					
			BBARKER	2017/05/12						
			APPR BY	DATE	SERIES MATERIAL NUMBER CUSTOMER 172604 172604-0003 GENERAL					
			SMILLER	2017/05/19						
			DRAWING SIZE	THIRD ANGLE PROJECTION	DOCUMENT NUMBER DOC TYPE DOC PART SHEET NUMBER SD-172604-0003 PSD 001 3 OF 3					
		D								