



Chipsmall Limited consists of a professional team with an average of over 10 year of expertise in the distribution of electronic components. Based in Hongkong, we have already established firm and mutual-benefit business relationships with customers from,Europe,America and south Asia,supplying obsolete and hard-to-find components to meet their specific needs.

With the principle of “Quality Parts,Customers Priority,Honest Operation,and Considerate Service”,our business mainly focus on the distribution of electronic components. Line cards we deal with include Microchip,ALPS,ROHM,Xilinx,Pulse,ON,Everlight and Freescale. Main products comprise IC,Modules,Potentiometer,IC Socket,Relay,Connector.Our parts cover such applications as commercial,industrial, and automotives areas.

We are looking forward to setting up business relationship with you and hope to provide you with the best service and solution. Let us make a better world for our industry!



Contact us

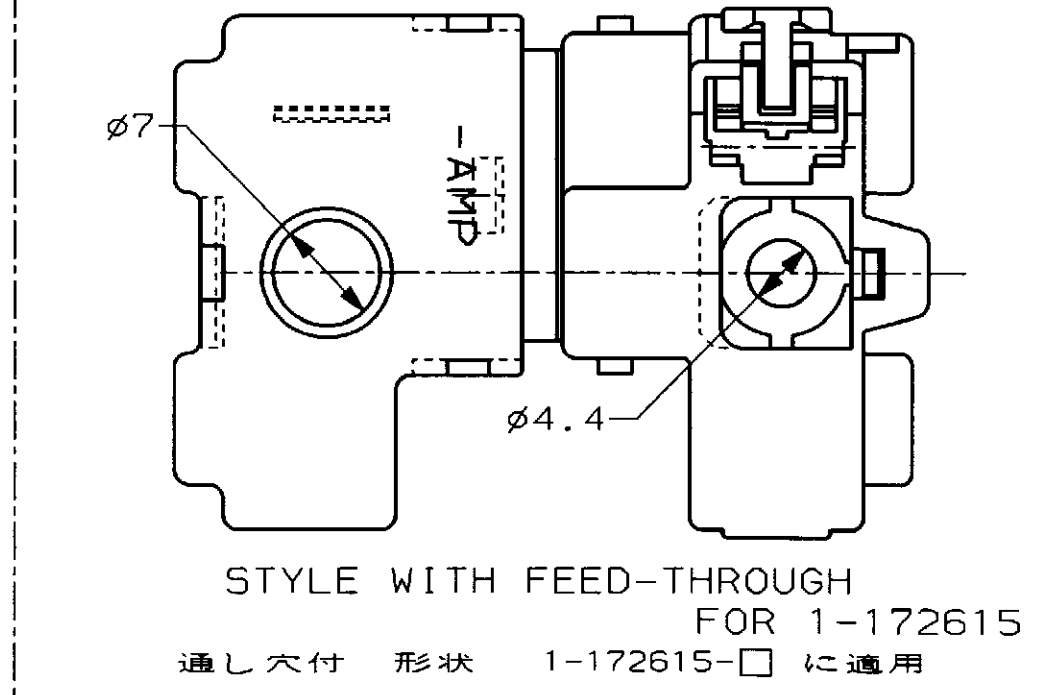
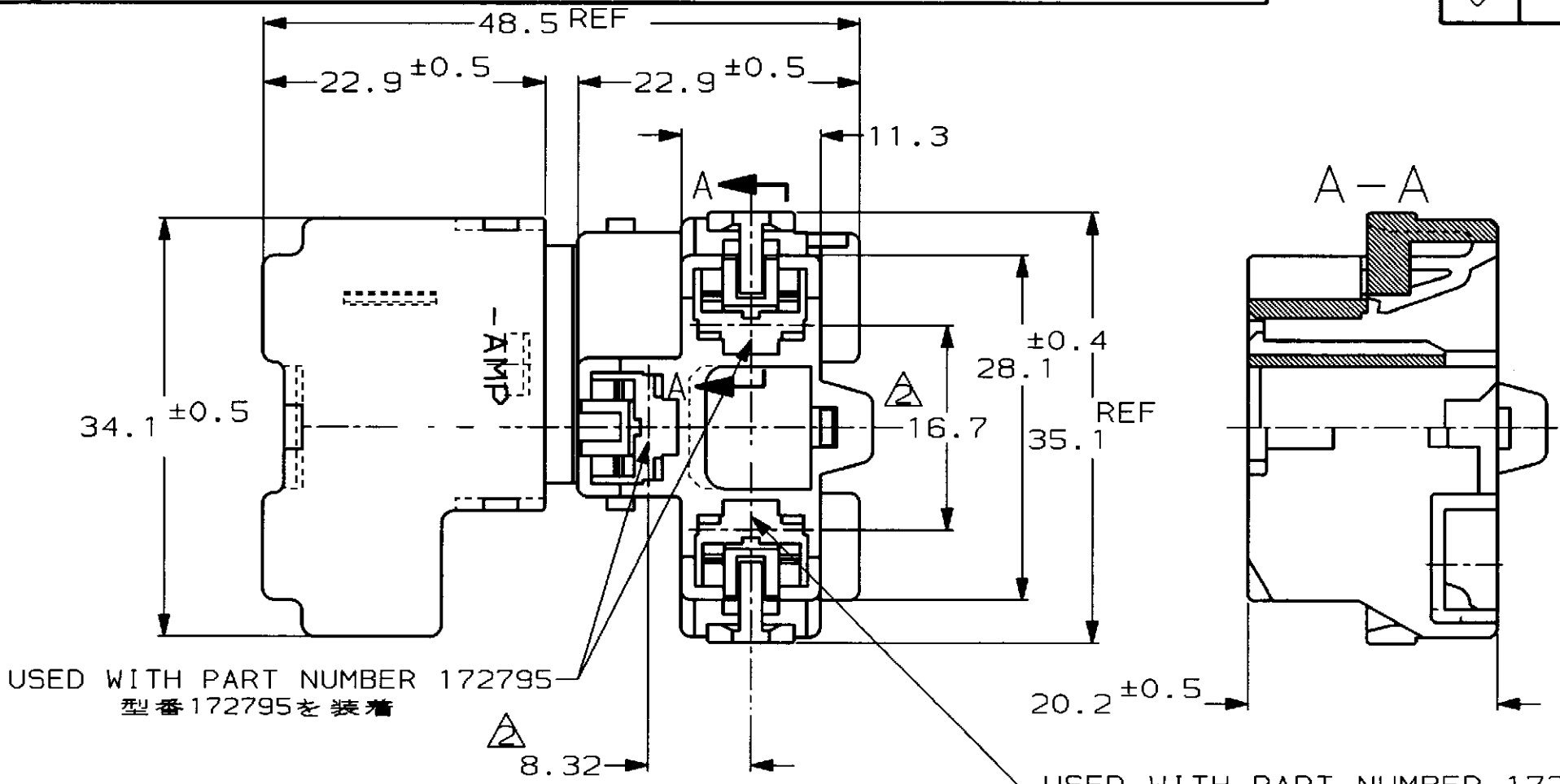
Tel: +86-755-8981 8866 Fax: +86-755-8427 6832

Email & Skype: info@chipsmall.com Web: www.chipsmall.com

Address: A1208, Overseas Decoration Building, #122 Zhenhua RD., Futian, Shenzhen, China

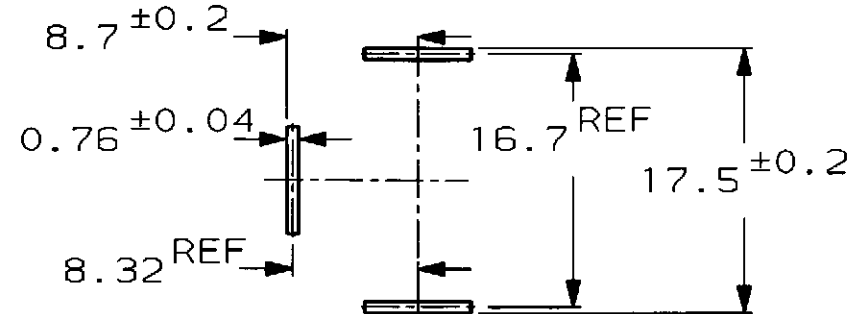
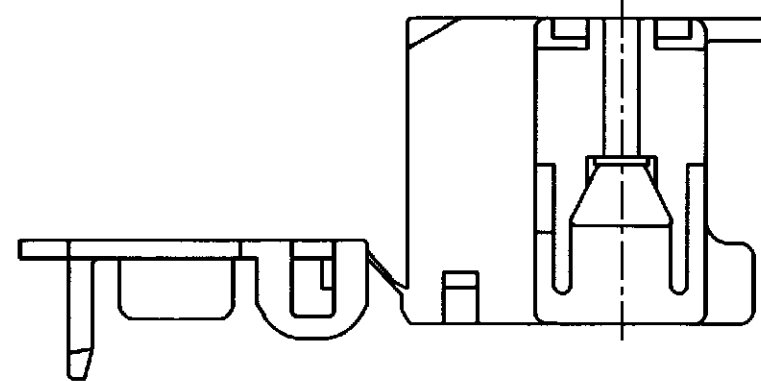


REVISEMENTS		変更	DATE	DWN	APVD
P	LTR	DESCRIPTION	ECN		
	C	REDRAWN W/CHANGE	FJ00-1454-98	26 AUG 98	AY MB



1. RECEPTACLES TO BE USED WITH PARTS NUMBER 172795 & 172796
 △ TO BE MATE WITH AMP SEALED BEAM CONN. TAB NO. 79-25183
 (COMPLY WITH SAE. JASO & JIS SPEC.)

1 適用するリセプタクルは型番 172795及び172796
 △ アンプシールドビームコネクタ用タブ番号79-25183と嵌合する
 (SAE. JASO及びJIS規格に準拠)



WITH FEED-THROUGH 通し穴付	BLACK 黒	1-172615-2
	NATURAL 自然色	1-172615-1
//	BLACK 黒	172615-2
	NATURAL 自然色	172615-1
TYPE 形状	COLOR 色	PARTS NUMBER 型番

THIS DRAWING IS A CONTROLLED DOCUMENT FOR AMP INCORPORATED. IT IS SUBJECT TO CHANGE AND THE CONTROLLING ENGINEERING ORGANIZATION SHOULD BE CONTACTED FOR THE LATEST REVISION.	
DIMENSIONS: 単位: 概 mm	TOLERANCES UNLESS OTHERWISE SPECIFIED 一般公差 10mm ±0.2 30 ±0.25 100 ±0.3 ANGLE: ±0.3°
MATERIAL 材料 66 NYLON	FINISH 仕上 COLOR; SEE TABLE

OWN A. Yamaguchi 19 AUG 98
CHK H. Sakai 26 AUG 98
APVD H. Sakai 26 AUG 98
PRODUCT SPEC 製品規格 108-5131
APPLICATION SPEC 取付適用規格 114-5079
WEIGHT 5.1g
CUSTOMER DRAWING

WIRE RANGE 包含電線断面積 I1	INSULATION DIA 被覆外径 I1
AMP 日本エーエムピー株式会社 Kawasaki, Japan	
NAME 名称 3Pos. RECEPTACLE HOUSING POSITIVE LOCK FLAG SEALED BEAM CONNECTOR 3極 リセプタクルハウジング ポジティブロック旗型 シールドビームコネクタ	
SIZE A3	CAGE CODE 00779
DRAWING NO. 番号 C-172615	RESTRICTED TO -
SCALE 尺度 2:1	SHEET 1 OF 1 REV C