



Chipsmall Limited consists of a professional team with an average of over 10 year of expertise in the distribution of electronic components. Based in Hongkong, we have already established firm and mutual-benefit business relationships with customers from,Europe,America and south Asia,supplying obsolete and hard-to-find components to meet their specific needs.

With the principle of “Quality Parts,Customers Priority,Honest Operation,and Considerate Service”,our business mainly focus on the distribution of electronic components. Line cards we deal with include Microchip,ALPS,ROHM,Xilinx,Pulse,ON,Everlight and Freescale. Main products comprise IC,Modules,Potentiometer,IC Socket,Relay,Connector.Our parts cover such applications as commercial,industrial, and automotives areas.

We are looking forward to setting up business relationship with you and hope to provide you with the best service and solution. Let us make a better world for our industry!



Contact us

Tel: +86-755-8981 8866 Fax: +86-755-8427 6832

Email & Skype: info@chipsmall.com Web: www.chipsmall.com


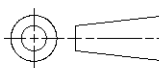
Address: A1208, Overseas Decoration Building, #122 Zhenhua RD., Futian, Shenzhen, China



THIS DRAWING IS UNPUBLISHED. RELEASED FOR PUBLICATION .19 .
 © COPYRIGHT 19 BY AMP INCORPORATED. ALL RIGHTS RESERVED.

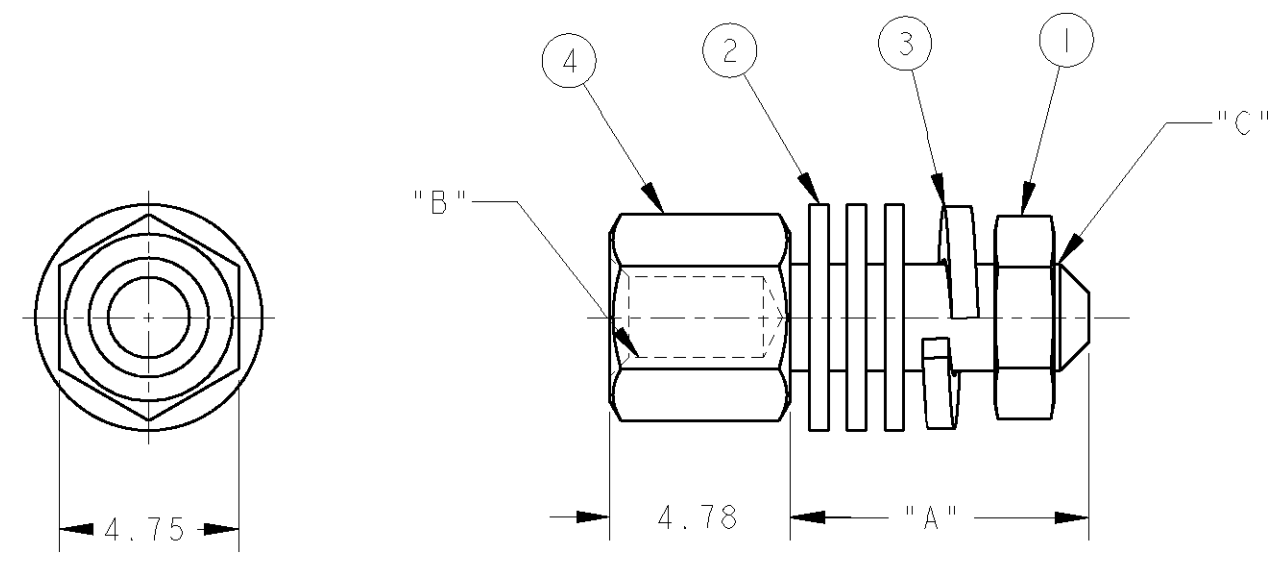
LOC	DIST	REVISIONS						
		P	LTR	DESCRIPTION	ECN	DATE	DWN	APVD
J	-		J	REVISED	FJ00-0588-01	06APR2001	C.O	K.I

OBSOLETE									PARTS NUMBER 型番	DESCRIPTION 名称	REMARKS 概要	ITEM
2	—	—	—	—	—	—	—	—				
—	2	—	—	—	—	—	—	—	174888-2	SCREWLOCK スクリューロック	HD SERIES FEMALE ULTRA FREE CUTING STEEL HD シリーズ 雌側 超快削鋼	4
2	—	—	—	—	—	—	—	—	174888-1	SCREWLOCK スクリューロック	HD SERIES FEMALE ULTRA FREE CUTING STEEL HD シリーズ 雌側 超快削鋼	4
—	—	—	2	—	—	—	—	—	172617-5	SCREWLOCK スクリューロック	HD SERIES FEMALE ULTRA FREE CUTING STEEL HD シリーズ 雌側 超快削鋼	4
2	2	2	—	2	—	—	—	—	173089-1	HEX NUT 六角ナット	M3 CARBON STEEL メートル並目 M3 炭素鋼	1
—	—	2	—	2	—	—	—	—	173088-1	SCREWLOCK スクリューロック	HD SERIES FEMALE ULTRA FREE CUTING STEEL HD シリーズ 雌側 超快削鋼	4
—	—	—	—	—	—	2	—	—	173034-1	SCREWLOCK スクリューロック	HD SERIES FEMALE ULTRA FREE CUTING STEEL HD シリーズ 雌側 超快削鋼	4
—	—	—	—	—	2	—	—	—	172517-3	SCREWLOCK スクリューロック	HD SERIES FEMALE ULTRA FREE CUTING STEEL HD シリーズ 雌側 超快削鋼	4
—	—	—	—	—	—	—	2	—	172617-2	SCREWLOCK スクリューロック	HD SERIES FEMALE ULTRA FREE CUTING STEEL HD シリーズ 雌側 超快削鋼	4
—	—	—	—	—	—	—	—	2	172617-1	SCREWLOCK スクリューロック	HD SERIES FEMALE ULTRA FREE CUTING STEEL HD シリーズ 雌側 超快削鋼	4
2	2	2	2	2	2	2	2	2	172618-1	SPLING LOCK WASHER スプリング・ロック・ワッシャー	JIS 1251 2-3S CARBON STEEL JIS 1251 2号 3S, 炭素鋼	3
6	6	—	6	6	6	6	6	6	172619-1	PLANE WASHER 平ワッシャー	JIS B 1256 3-10H CARBON STEEL JIS B1256 小型丸 3-10H 炭素鋼	2
—	—	—	2	—	2	2	2	2	172657-1	HEX NUT 六角ナット	#4-40 UNC CARBON STEEL ユニファイ #4-40 炭素鋼	1

THIS DRAWING IS A CONTROLLED DOCUMENT FOR AMP INCORPORATED. IT IS SUBJECT TO CHANGE AND THE CONTROLLING ENGINEERING ORGANIZATION SHOULD BE CONTACTED FOR THE LATEST REVISION.		DWN C.OHASHI 06APR2001	 Tyco Electronics AMP K.K. Kawasaki, Japan
DIMENSIONS: 単位: 耗 mm		CHK K.IKEGAMI 06APR2001	
		APVD K.IKEGAMI 06APR2001	
TOLERANCES UNLESS OTHERWISE SPECIFIED: 0-PLC ± 1-PLC ±0.5 2-PLC ±0.13 3-PLC ±0.013 4-PLC ±0.001 ANGLES ±		PRODUCT SPEC 製品規格 -	NAME 名称 SCREWLOCK KIT FOR HD SERIES
MATERIAL 材料		FINISH 仕上	APPLICATION SPEC 取付適用規格 -
		WEIGHT -	SIZE A3
		CUSTOMER DRAWING	CAGE CODE 番号 00779
			DRAWING NO 172616
			SCALE 尺度 5:1
			SHEET 1 OF 2
			REV J

THIS DRAWING IS UNPUBLISHED. RELEASED FOR PUBLICATION .19 .
 © COPYRIGHT 19 BY AMP INCORPORATED. ALL RIGHTS RESERVED.

LOC	DIST	REVISIONS					
		P	LTR	DESCRIPTION	DATE	DWN	APVD
J	-	-	-	SEE SHEET 1	-	-	-



1. これらの部品はバラ状で、パッケージされている。
2. このセットは、2セットのスクリュー・ロック・アッシーからなる。
3. 締め付け最大トルク値; 8Kg-cm

1. THESE PARTS MUST BE PACKAGED WITH UNASSEMBLY.
2. THIS KIT MUST CONTAIN TWO SCREWLOCK ASSEMBLIES.
3. SCREW ON TORQUE MAX; 8Kg-cm

スクリューロックへの平ワッシャーの取り付け方

1. フロント・パネル・マウント時やフリーハンギング使用時、スクリューロックには3枚の平ワッシャーを取り付ける事。
 2. バックパネルマウントによる場合は次のようになります。
 - 1) パネル厚が1.52mm以上; 平ワッシャー無し
 - 2) パネル厚が1.01mm~1.52mm; 平ワッシャー1枚
 - 3) パネル厚が0.51mm~1.01mm; 平ワッシャー2枚
 - 4) パネル厚が0.51mm以下; 平ワッシャー3枚
- * パネル厚とは2枚合計の厚みである。

How to attach the common washer to the screwlock.

1. Attach the common washer of three sheets in a screwlock at the time of front panel mount and free hanging use.
 2. It is as follows when based on back panel mount.
 - 1) Thickness of panel-1.52mmMIN.; No washer
 - 2) Thickness of panel-1.01mm~1.52mm; washer 1
 - 3) Thickness of panel-0.51mm~1.01mm; washer 2
 - 4) Thickness of panel-0.51mmMAX.; washer 3
- * The thickness of a panel is the thickness of two sheet sum total.

	P/N	"A"	"B"	"C"
	172616-1	7.92	#4-40 UNC	#4-40 UNC
	172616-2	14.22	#4-40 UNC	#4-40 UNC
OBSOLETE	172616-3	7.92	M3	#4-40 UNC
OBSOLETE	172616-4	20.0	#4-40 UNC	#4-40 UNC
OBSOLETE	172616-5	7.92	M3	M3
OBSOLETE	172616-6	10.0	#4-40 UNC	M3
	172616-7	7.92	M3	M3
	172616-8	15.0	#4-40 UNC	M3
OBSOLETE	172616-9	7.92	#4-40 UNC	M3

<small>THIS DRAWING IS A CONTROLLED DOCUMENT FOR AMP INCORPORATED. IT IS SUBJECT TO CHANGE AND THE CONTROLLING ENGINEERING ORGANIZATION SHOULD BE CONTACTED FOR THE LATEST REVISION.</small>		DWN 06APR2001 C. OHASHI CHK 06APR2001 K. IKEGAMI APVD 06APR2001 K. IKEGAMI	AMP Tyco Electronics AMP K.K. Kawasaki, Japan
DIMENSIONS: mm 	TOLERANCES UNLESS OTHERWISE SPECIFIED: 0 PLC ±- 1 PLC ±0.5 2 PLC ±0.13 3 PLC ±0.013 4 PLC ±0.0001 ANGLES ±-	PRODUCT SPEC - APPLICATION SPEC - WEIGHT -	NAME SCREWLOCK KIT FOR HD SERIES
MATERIAL -	FINISH -	CUSTOMER DRAWING	SIZE A3 CAGE CODE 00779 DRAWING NO. C-172616 SCALE 5:1 SHEET 2 OF 2 REV J