



Chipsmall Limited consists of a professional team with an average of over 10 year of expertise in the distribution of electronic components. Based in Hongkong, we have already established firm and mutual-benefit business relationships with customers from,Europe,America and south Asia,supplying obsolete and hard-to-find components to meet their specific needs.

With the principle of “Quality Parts,Customers Priority,Honest Operation,and Considerate Service”,our business mainly focus on the distribution of electronic components. Line cards we deal with include Microchip,ALPS,ROHM,Xilinx,Pulse,ON,Everlight and Freescale. Main products comprise IC,Modules,Potentiometer,IC Socket,Relay,Connector.Our parts cover such applications as commercial,industrial, and automotives areas.

We are looking forward to setting up business relationship with you and hope to provide you with the best service and solution. Let us make a better world for our industry!



Contact us

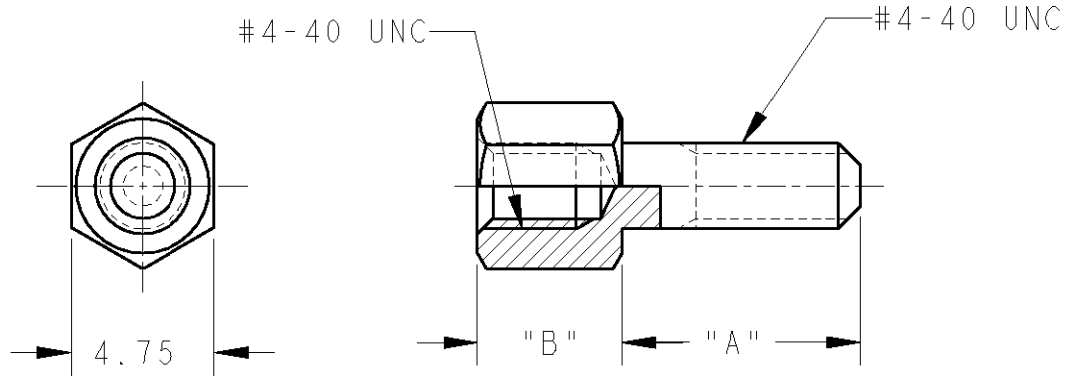
Tel: +86-755-8981 8866 Fax: +86-755-8427 6832

Email & Skype: info@chipsmall.com Web: www.chipsmall.com

Address: A1208, Overseas Decoration Building, #122 Zhenhua RD., Futian, Shenzhen, China



LOC	DIST	REVISIONS 変更					
		P	LTR	DESCRIPTION	DATE	DWN	APVD
J	-		B	REVISED FJ00-0588-01	03APR2001	C.O	K.I



- 1. 締付け最大トルク値; 8Kg-cm
- 2. 一般公差; 10mm以下 ±0.2
10mm以上 ±0.25
- 3. 材料; 炭素鋼
- 4. 仕上; ニッケルめっき

- 1. SCREW ON TORQUE MAX; 8Kg-cm
- 2. GENERAL TOLERANCE; 10mmMAX. ±0.2
10mmMIN. ±0.25
- 3. MATERIAL; CARBON STEEL
- 4. FINISH; NICKEL PL.

(B)	OBSOLETE	5.5	7.92	172617-6
		4.78	10.0	172617-5
		4.78	14.22	172617-2
		4.78	7.92	172617-1
		"B"	"A"	PARTS NUMBER

THIS DRAWING IS UNPUBLISHED. BY TYCO ELECTRONICS CORPORATION. ALL RIGHTS RESERVED. COPYRIGHT 20

DIMENSIONS: 単位: 概 mm	DWN C. OHASHI	03APR2001	MATERIAL 材料	3	FINISH 仕上	4
	CHK K. IKEGAMI	03APR2001	Tyco Electronics AMP K.K. Kawasaki, Japan			
TOLERANCES UNLESS OTHERWISE SPECIFIED:	APVD K. IKEGAMI	03APR2001				
0 PLC ±	PRODUCT SPEC 製品規格		NAME 名称 SCREWLOCK FEMALE FOR AMPLIMITE			
1 PLC ±0.1	APPLICATION SPEC 取付適用規格					
2 PLC ±0.01	WEIGHT		SIZE	CAGE CODE	DRAWING NO 番号	RESTRICTED TO
3 PLC ±0.001	-		A 4	00779	C=172617	-
4 PLC ±0.0001	-		CUSTOMER DRAWING			
ANGLES ±	-		尺	SCALE	SHEET	OF
	-		4:1	1	1	REV B