



Chipsmall Limited consists of a professional team with an average of over 10 year of expertise in the distribution of electronic components. Based in Hongkong, we have already established firm and mutual-benefit business relationships with customers from,Europe,America and south Asia,supplying obsolete and hard-to-find components to meet their specific needs.

With the principle of “Quality Parts,Customers Priority,Honest Operation,and Considerate Service”,our business mainly focus on the distribution of electronic components. Line cards we deal with include Microchip,ALPS,ROHM,Xilinx,Pulse,ON,Everlight and Freescale. Main products comprise IC,Modules,Potentiometer,IC Socket,Relay,Connector.Our parts cover such applications as commercial,industrial, and automotives areas.

We are looking forward to setting up business relationship with you and hope to provide you with the best service and solution. Let us make a better world for our industry!



Contact us

Tel: +86-755-8981 8866 Fax: +86-755-8427 6832

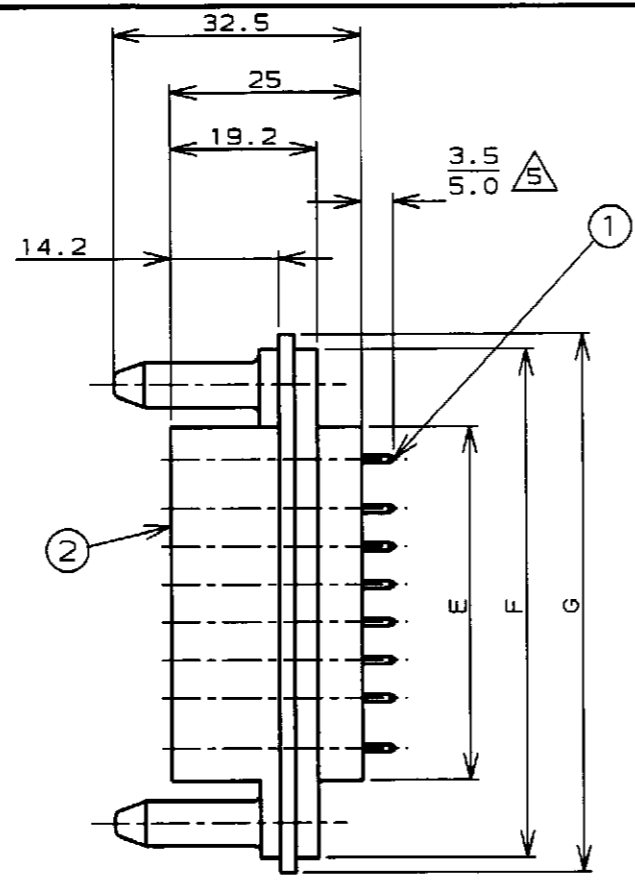
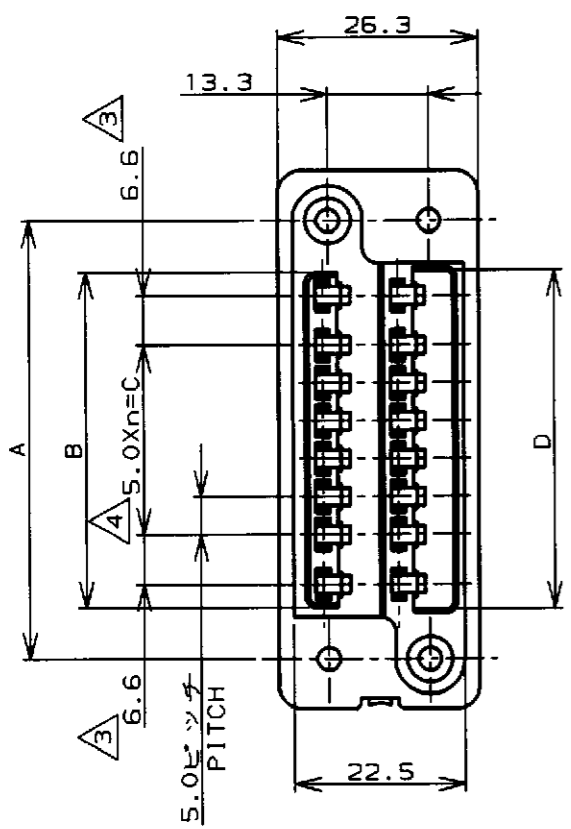
Email & Skype: info@chipsmall.com Web: www.chipsmall.com

Address: A1208, Overseas Decoration Building, #122 Zhenhua RD., Futian, Shenzhen, China



THIS DRAWING IS UNPUBLISHED. RELEASED FOR PUBLICATION .19
 (C) COPYRIGHT 19 BY AMP INCORPORATED. ALL RIGHTS RESERVED.

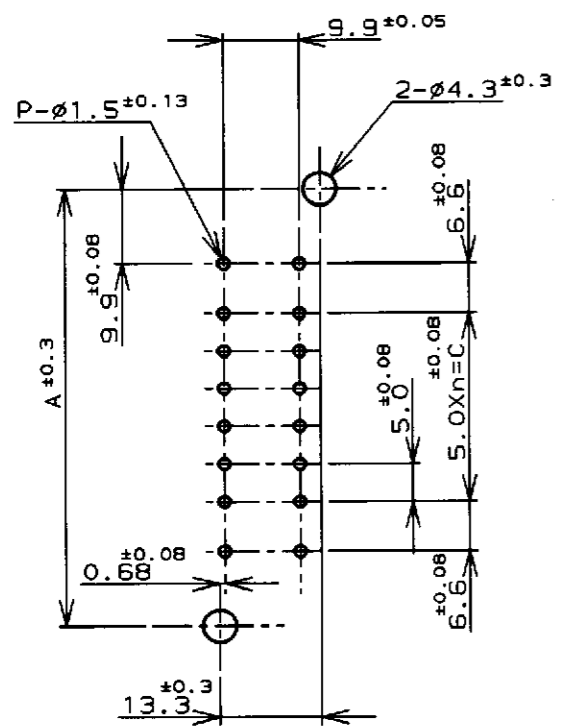
LOC		DIST		REVISIONS				
P	LTR	DESCRIPTION	ECN	DATE	DWN	APVD		
C		REDRAWN WITH CHANGE	FJ00-0249-99	15 Feb '99	S.C	J.K		



- 注記;
1. コンタクトは、キャビティ内でランスロックしている。
 2. 本ハウジングに嵌合するフィメール・ハウジングは
 - 172068-1 (-1のみ)
 - 172070-1 (-2のみ)
 - 172069-1 (-3のみ)
 - 172625-3 (-4のみ)
- △3 電源回路(4極)の最大許容電流は10Aである。
 △4 信号回路(他極)の最大許容電流は8Aである。
 △5 ランスが掛かった状態での長さ
 6. コンタクトはハウジング内でフローティングしているため、半田付時は相手コネクタと嵌合させ、ランスが掛かった状態で行なうことを推奨致します。
 △7 コンタクト材料:リン青銅
 コンタクト仕上げ: Ni下地に部分金メッキ
 △8 ハウジング材料: UL94 V-0級、P.B.T、青色

- NOTES;
1. CONTACTS ARE LOCKED WITH ITS LANCES IN CAVITIES.
 2. FEMALE HOUSHING P/N MATED WITH THIS ITEM IS
 - 172068-1 (-1 ONLY)
 - 172070-1 (-2 ONLY)
 - 172069-1 (-3 ONLY)
 - 172625-3 (-4 ONLY)
- △3 MAX APPROVED CURRENT IS 10A IN POWER CIRCUITS (4POS)
 △4 MAX APPROVED CURRENT IS 8A IN SIGNAL CIRCUITS (OTHER POS)
 △5 THE LENGTH IS IN CASE OF LANCES LOCKING.
 6. BECAUSE THE CONTACTS ARE FLOATING IN HOUSING, WE RECOMMEND THESE POST HEADERS TO BE MATED WITH DUMMY CONN AND HAD LANCES LOCKED WHILE SOLDERING.
 △7 CONTACT MATERIAL : PHOS BRONZE
 CONTACT FINISH : STRIPE GOLD PLATE OVER NI PLATE
 △8 HOUSING MATERIAL : 94V-0 CLASS P.B.T
 COLOR : BLUE

RECOMMENDED P.C.BOARD DIMENSIONS (THK; 2.5mm MAX)
 推奨プリント基板取付寸法(板厚, 2.5mm最大)



40.984	172624-3		24	-4
23.612	172061-1		12	-3
18.448	172063-1		8	-2
29.076	172059-1	172652-1	16	172653-1
重量(g) NET WEIGHT	△8 HSG No ②	△7 CONTACT No ①	Pos	ASSEMBLY P/N

24	91.2	87.2	64.8	64.8	45.0	64.4	78.0	9	172653-4
12	61.2	57.2	36.8	34.8	15.0	34.4	48.0	3	172653-3
8	51.2	47.2	26.8	24.8	5.0	24.4	38.0	1	172653-2
16	71.2	67.2	46.8	44.8	25.0	44.4	58.0	5	172653-1
P	G	F	E	D	C	B	A	n	型番 P/N

THIS DRAWING IS A CONTROLLED DOCUMENT FOR AMP INCORPORATED. IT IS SUBJECT TO CHANGE AND THE CONTROLLING ENGINEERING ORGANIZATION SHOULD BE CONTACTED FOR THE LATEST REVISION.

DIMENSIONS, 単位: 純 mm

TOLERANCES UNLESS OTHERWISE SPECIFIED

一般公差: 10%, 20%, 30%, 40%, 50%, 60%, 70%, 80%, 90%, 100%, ±0.4

MATERIAL 表参照 SEE TABLE

FINISH 仕上 表参照 SEE TABLE

AMP 株式会社 Kawasaki, Japan

8, 12, 16, 24極ドローワー・ポストヘッダー
 8, 12, 16, 24POS DRAWER POST HEDER

SIZE: A3 CAGE CODE: 00779 DRAWING NO: C=172653

SCALE: 1-1 SHEET: 1 OF 1 REV: C

CUSTOMER DRAWING