



Chipsmall Limited consists of a professional team with an average of over 10 year of expertise in the distribution of electronic components. Based in Hongkong, we have already established firm and mutual-benefit business relationships with customers from,Europe,America and south Asia,supplying obsolete and hard-to-find components to meet their specific needs.

With the principle of “Quality Parts,Customers Priority,Honest Operation,and Considerate Service”,our business mainly focus on the distribution of electronic components. Line cards we deal with include Microchip,ALPS,ROHM,Xilinx,Pulse,ON,Everlight and Freescale. Main products comprise IC,Modules,Potentiometer,IC Socket,Relay,Connector.Our parts cover such applications as commercial,industrial, and automotives areas.

We are looking forward to setting up business relationship with you and hope to provide you with the best service and solution. Let us make a better world for our industry!



Contact us

Tel: +86-755-8981 8866 Fax: +86-755-8427 6832

Email & Skype: info@chipsmall.com Web: www.chipsmall.com

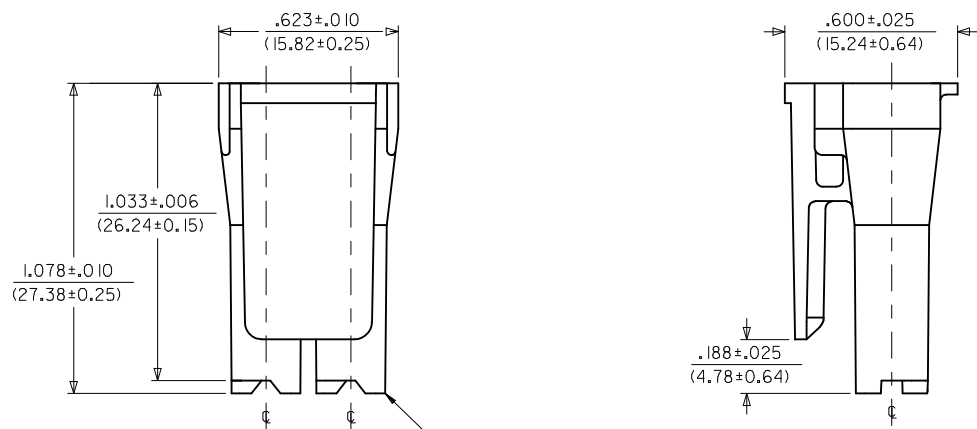
Address: A1208, Overseas Decoration Building, #122 Zhenhua RD., Futian, Shenzhen, China



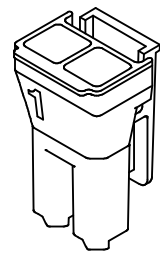
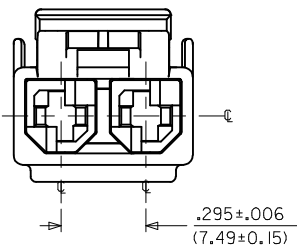
NOTES:

1. MATERIAL: SEE CHART.
2. THIS CONNECTOR HOUSING FOR USE WITH 171825 TERMINALS.
3. THE CONNECTOR HOUSING WILL MATE TO 172042, 172043, 172673, & 43680.
4. PRODUCT SPECIFICATION: PS-171825-001.
5. PACKAGING: PK-44441-001.
6. PARTS CONFORM TO CLASS 'B' REQUIREMENTS OF COSMETIC SPECIFICATION PS-45499-002 BUT, MEETS CLASS 'C' REQUIREMENTS FOR BUBBLES, SINK AND DISCOLORATION.
7. MOLDED IN SERIES NO. MAY BE 172672 OR 44441.

ITEM NUMBER	MATERIAL	COLOR
172672-2002	UL94V-0 NYLON	BLACK
172672-3002	UL94V-2 NYLON, IEC 60335-1 GLOW WIRE CAPABLE	BLACK



CIRCUIT 1



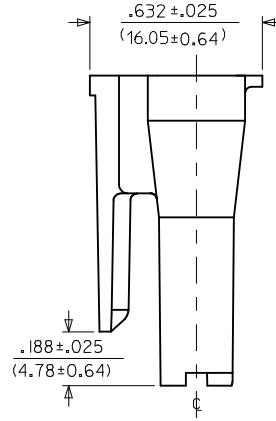
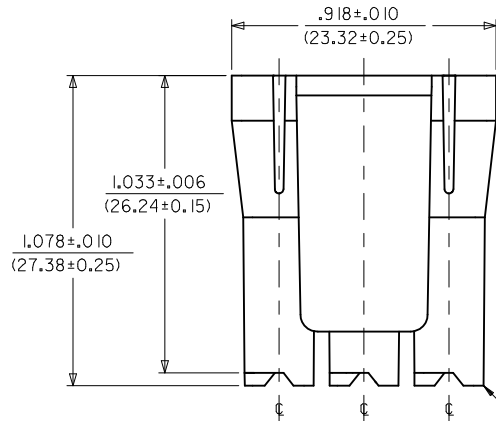
172672-*002
(NO SCALE)

8 CKT TOLERANCE EC NO: UCP2015-4773 DRWN: JDFOX 2015/05/13 CHKD: BANDERSON 2015/05/13 APPR: FSMITH 2015/05/21	QUALITY SYMBOLS 	GENERAL TOLERANCES (UNLESS SPECIFIED)		DIMENSION STYLE		SCALE	DESIGN UNITS	THIRD ANGLE PROJECTION		
				IN/MM		3:1	INCH			
				DRAWN BY DATE		TITLE				
				CHECKED BY DATE		SUPER-SABRE RECEPTACLE HOUSING				
A3	DESCRIPTION REV	ANGULAR ±1/2°		MATERIAL NO.		DOCUMENT NO.		SHEET NO.		
		DRAFT WHERE APPLICABLE MUST REMAIN WITHIN DIMENSIONS		SEE CHART		SD-172672-001		1 OF 6		
				SIZE		THIS DRAWING CONTAINS INFORMATION THAT IS PROPRIETARY TO MOLEX INCORPORATED AND SHOULD NOT BE USED WITHOUT WRITTEN PERMISSION				
				C						

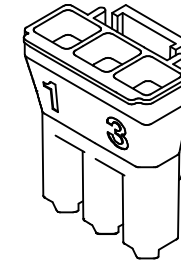
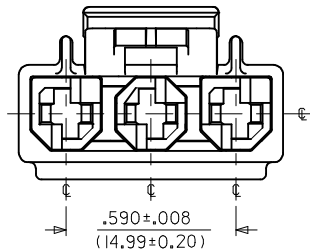
NOTES:

1. MATERIAL: SEE CHART.
2. THIS CONNECTOR HOUSING FOR USE WITH 171825 TERMINALS.
3. THE CONNECTOR HOUSING WILL MATE TO 172042, 172043, 172673, & 43680.
4. PRODUCT SPECIFICATION: PS-171825-001.
5. PACKAGING: PK-44441-001.
6. PARTS CONFORM TO CLASS 'B' REQUIREMENTS OF COSMETIC SPECIFICATION PS-45499-002 BUT, MEETS CLASS 'C' REQUIREMENTS FOR BUBBLES, SINK AND DISCOLORATION.
7. MOLDED IN SERIES NO. MAY BE 172672 OR 44441.

ITEM NUMBER	MATERIAL	COLOR
172672-2003	UL94V-0 NYLON	BLACK
172672-3003	UL94V-2 NYLON IEC 60335-1 GLOW WIRE CAPABLE	BLACK



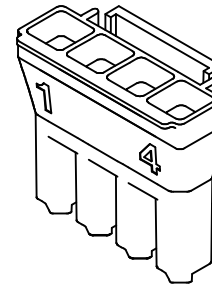
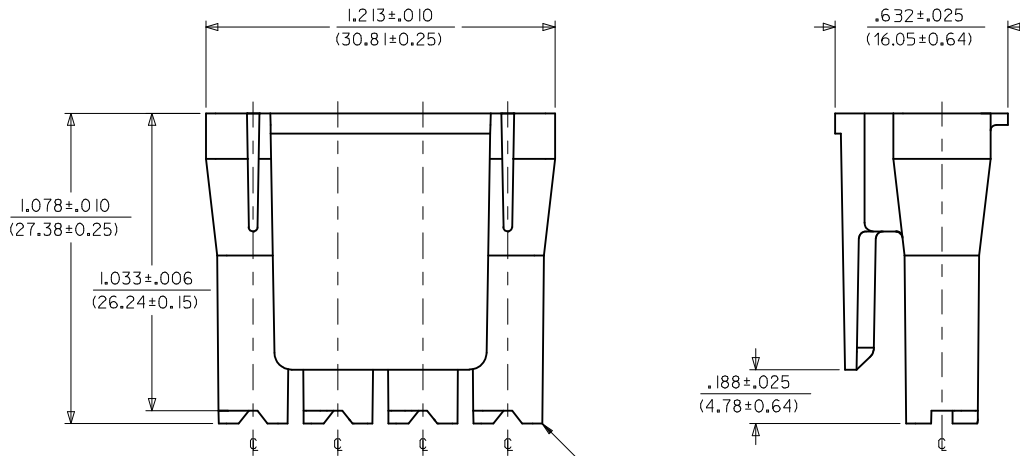
CIRCUIT 1



172672-~~x~~003
(NO SCALE)

SEE SHEET 1 EC NO: UCP2015-4773 DRWN: JDOX CHKD: BANDERSON APPR: FSMITH	2015/05/13 2015/05/13 2015/05/21	DESCRIPTION REV	QUALITY SYMBOLS	GENERAL TOLERANCES (UNLESS SPECIFIED)		DIMENSION STYLE	SCALE	DESIGN UNITS	THIRD ANGLE PROJECTION
			∇=0 ∇=0 ∇=0	mm	INCH	IN/MM	3:1	INCH	SUPER-SABRE RECEPTACLE HOUSING molex
				4 PLACES ± --- ± ---	3 PLACES ± --- ± .010	DRAWN BY	DATE	TITLE	
				2 PLACES ± 0.25 ± .014	1 PLACE ± 0.35 ± ---	JDOX	2014/07/25	CHECKED BY	
0 PLACE ± --- ± ---	ANGULAR ±1/2°		BANDERSON	2014/07/25	APPROVED BY	DATE			
A3			DRAFT WHERE APPLICABLE MUST REMAIN WITHIN DIMENSIONS		SEE CHART	MATERIAL NO.	DOCUMENT NO.	SHEET NO.	
					SIZE C	THIS DRAWING CONTAINS INFORMATION THAT IS PROPRIETARY TO MOLEX INCORPORATED AND SHOULD NOT BE USED WITHOUT WRITTEN PERMISSION		2 OF 6	

ITEM NO	MATERIAL	COLOUR
172672-2004	UL94V-0 NYLON	BLACK
172672-3004	UL94V-2 NYLON IEC 60335-1 GLOW WIRE CAPABLE	BLACK



172672-1004
(NO SCALE)

CIRCUIT 1

NOTES:

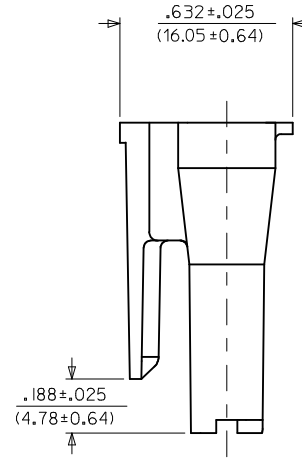
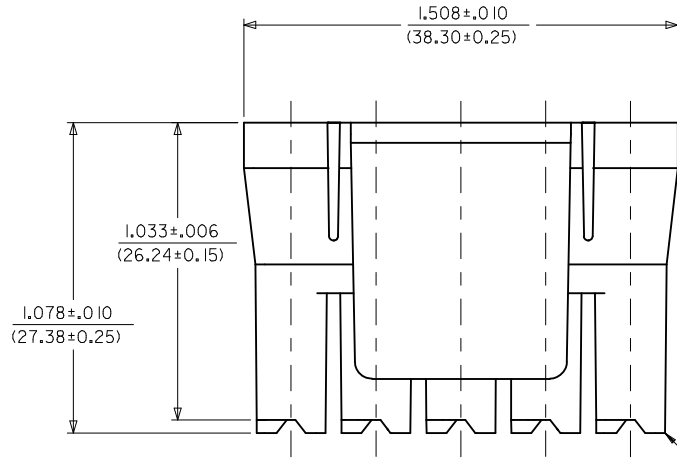
1. MATERIAL: SEE CHART.
2. THIS CONNECTOR HOUSING FOR USE WITH 171825 TERMINALS.
3. THE CONNECTOR HOUSING WILL MATE TO 172042, 172043, 172673, & 43680.
4. PRODUCT SPECIFICATION: PS-171825-001.
5. PACKAGING: PK-44441-001.
6. PART CONFORMS TO CLASS 'B' REQUIREMENTS OF COSMETIC SPECIFICATION PS-45499-002 BUT, MEETS CLASS 'C' REQUIREMENTS FOR BUBBLES," SINK AND DISCOLORATION.
7. MOLDED IN SERIES NO. MAY BE 172672 OR 44441.

REV	DESCRIPTION	QUALITY SYMBOLS	GENERAL TOLERANCES (UNLESS SPECIFIED)		DIMENSION STYLE		SCALE	DESIGN UNITS	THIRD ANGLE PROJECTION
			mm	INCH	IN/MM	INCH	INCH		
A3	SEE SHEET 1	$\nabla = 0$ $\nabla = 0$ $\nabla = 0$	4 PLACES \pm --- \pm ---		DRAWN BY	DATE	3:1	INCH	
	IEC NO: UCP2015-4773		2015/05/13	JDFOX	2014/07/25				
	DRWN:JDFOX		2015/05/13	CHECKED BY	DATE	SUPER-SABRE RECEPTACLE HOUSING			
	CHKD:BANDERSON		2015/05/13	BANDERSON	2014/07/25				
	APPR:FSMITH		2015/05/21	APPROVED BY	DATE				
			1 PLACE ± 0.25	± 0.14	FSMITH	2014/07/31			
			0 PLACE \pm --- \pm ---	\pm ---					
			ANGULAR $\pm 1/2^\circ$		MATERIAL NO.		DOCUMENT NO.	SHEET NO.	
			DRAFT WHERE APPLICABLE MUST REMAIN WITHIN DIMENSIONS		SEE CHART		SD-172672-001	3 OF 6	
			SIZE THIS DRAWING CONTAINS INFORMATION THAT IS PROPRIETARY TO MOLEX INCORPORATED AND SHOULD NOT BE USED WITHOUT WRITTEN PERMISSION						

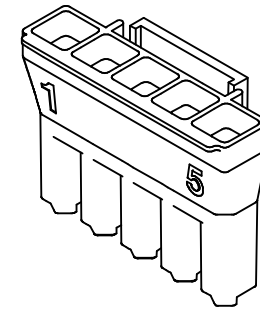
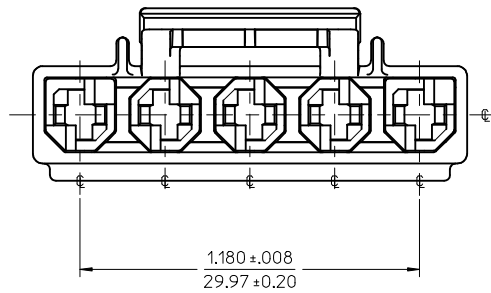
NOTES:

1. MATERIAL: SEE CHART.
2. THIS CONNECTOR HOUSING FOR USE WITH 171825 TERMINALS.
3. THE CONNECTOR HOUSING WILL MATE TO 172042, 172043, 172673, & 43680.
4. PRODUCT SPECIFICATION: PS-171825-001.
5. PACKAGING: PK-44441-001.
6. PARTS CONFORM TO CLASS 'B' REQUIREMENTS OF COSMETIC SPECIFICATION PS-45499-002 BUT, MEETS CLASS 'C' REQUIREMENTS FOR BUBBLES, SINK AND DISCOLORATION.
7. MOLDED IN SERIES NO. MAY BE 172672 OR 44441.

ITEM NUMBER	MATERIAL	COLOR
172672-2005	NYLON, UL94V-0,	BLACK
172672-3005	NYLON, UL94V-2 IEC 60335-1 GLOW WIRE CAPABLE	BLACK



CIRCUIT 1



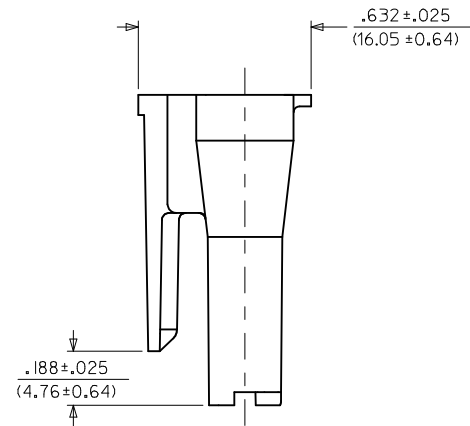
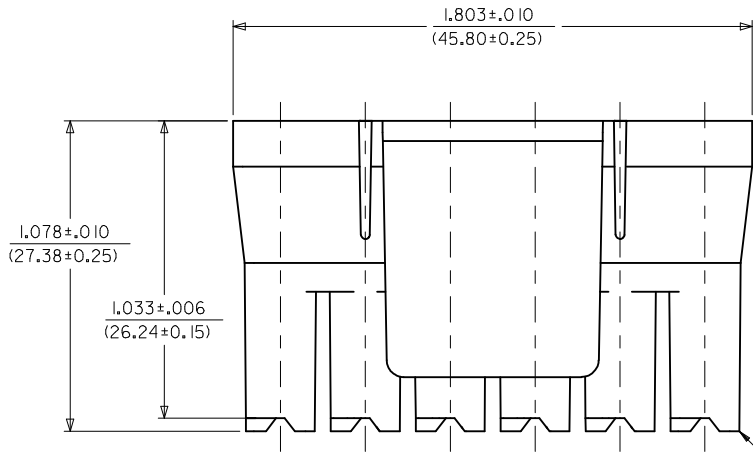
172672-*005
(NO SCALE)

SEE SHEET 1 EC NO: UCP2015-4773 DRWN:JDOX 2015/05/13 CHKD:ANDERSON 2015/05/13 APPR:FSMITH 2015/05/21	QUALITY SYMBOLS	GENERAL TOLERANCES (UNLESS SPECIFIED)		DIMENSION STYLE IN/MM		SCALE 3:1	DESIGN UNITS INCH	THIRD ANGLE PROJECTION	
	▽=0	4 PLACES ± ---	± ---	DRAWN BY JDOX	DATE 2014/07/25	SUPER-SABRE RECEPTACLE HOUSING			
	▽=0	3 PLACES ± ---	±.010	CHECKED BY BANDERSON	DATE 2014/07/25				
	▽=0	2 PLACES ± 0.25	±.014	APPROVED BY FSMITH	DATE 2014/07/31	molex			
▽=0	1 PLACE ± 0.35	± ---	MATERIAL NO. SEE CHART		DOCUMENT NO. SD-172672-001				
REV A3	DESCRIPTION	ANGULAR ±1/2°		THIS DRAWING CONTAINS INFORMATION THAT IS PROPRIETARY TO MOLEX INCORPORATED AND SHOULD NOT BE USED WITHOUT WRITTEN PERMISSION					
		DRAFT WHERE APPLICABLE MUST REMAIN WITHIN DIMENSIONS							

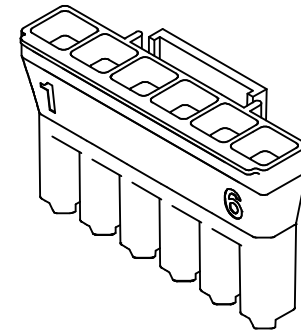
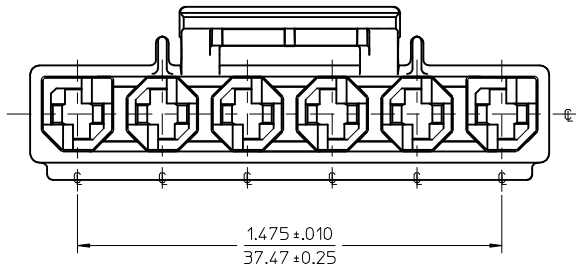
ITEM NO	MATERIAL	COLOUR
172672-2006	UL94V-0 NYLON	BLACK
172672-3006	UL94V-2 NYLON IEC 60335-1 GLOW WIRE CAPABLE	BLACK

NOTES:

1. MATERIAL: SEE CHART.
2. THIS CONNECTOR HOUSING FOR USE WITH 171825 TERMINALS.
3. THE CONNECTOR HOUSING WILL MATE TO 172042, 172043, 172673, & 43680.
4. PRODUCT SPECIFICATION: PS-171825-001.
5. PACKAGING: PK-44441-001.
6. PART CONFORMS TO CLASS 'B' REQUIREMENTS OF COSMETIC SPECIFICATION PS-45499-002 BUT, MEETS CLASS 'C' REQUIREMENTS FOR BUBBLES, SINK AND DISCOLORATION.
7. MOLDED IN SERIES NO. MAY BE 172672 OR 44441.



CIRCUIT 1

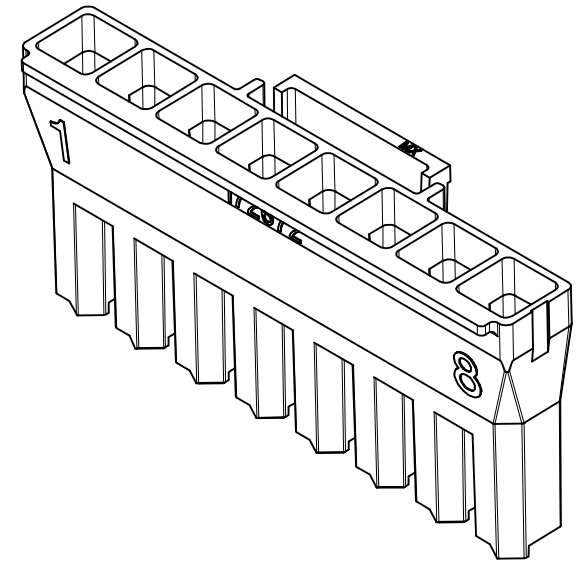
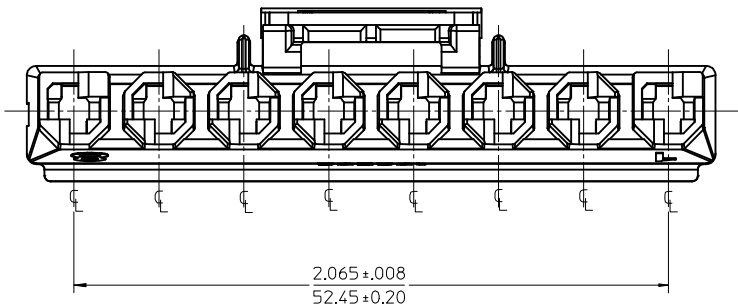
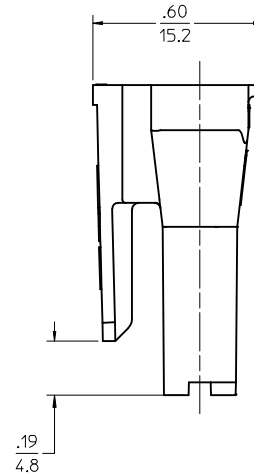
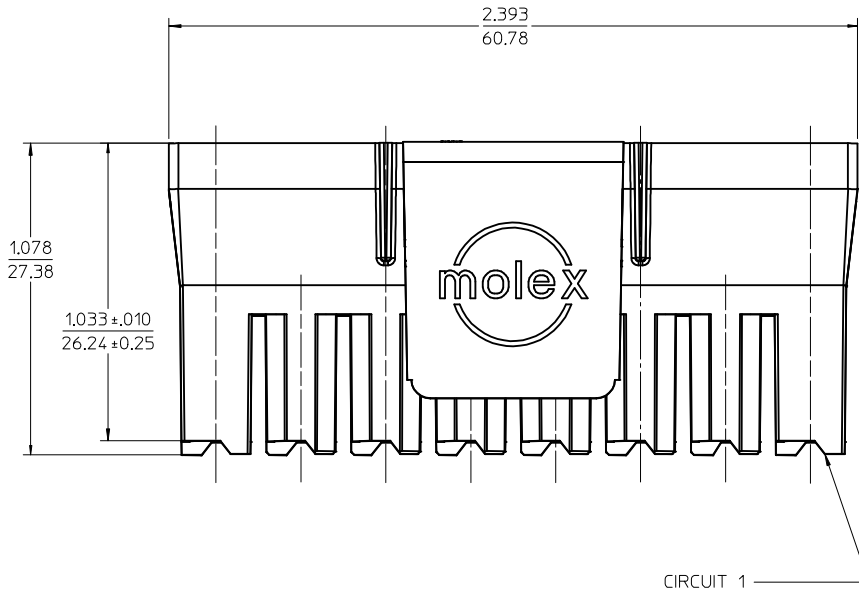


SEE SHEET 1 EC NO: UCP2015-4773 DRWN:JDFOX 2015/05/13 CHKD:BANDERSON 2015/05/13 APPR:FSMITH 2015/05/21	QUALITY SYMBOLS ▽=0 ▽=0 ▽=0	GENERAL TOLERANCES (UNLESS SPECIFIED)		DIMENSION STYLE IN/MM		SCALE 3:1	DESIGN UNITS INCH	THIRD ANGLE PROJECTION		
			mm	INCH	DRAWN BY JDFOX	DATE 2014/07/25	SUPER-SABRE RECEPTACLE HOUSING			
		4 PLACES ± ---	± ---	± ---	CHECKED BY BANDERSON	DATE 2014/07/25				
		3 PLACES ± ---	± .010	± .014	APPROVED BY FSMITH	DATE 2014/07/31				
2 PLACES ± 0.25	± .014	± .014	ANGULAR ±1/2°		MATERIAL NO.	DOCUMENT NO.	molex SD-172672-001			
1 PLACE ± 0.35	± ---	± ---	DRAFT WHERE APPLICABLE MUST REMAIN WITHIN DIMENSIONS		SIZE C	SEE CHART				SHEET NO. 5 OF 6
0 PLACE ± ---	± ---	± ---	THIS DRAWING CONTAINS INFORMATION THAT IS PROPRIETARY TO MOLEX INCORPORATED AND SHOULD NOT BE USED WITHOUT WRITTEN PERMISSION							

ITEM NUMBER	MATERIAL	COLOR
172672-2008	UL94V-0 NYLON	BLACK
172672-3008	UL94V-2 NYLON, IEC 60335-1 GLOW WIRE CAPABLE	BLACK

NOTES:

1. MATERIAL: SEE CHART
2. FINISH: NONE
3. PRODUCT SPECIFICATION: PS-171825-001.
4. PACKAGING: PK-44441-001.
5. THIS CONNECTOR HOUSING FOR USE WITH 171825 SERIES TERMINALS.
6. THIS CONNECTOR MATES TO 172042, & 172043.
7. PART CONFORMS TO CLASS 'B' REQUIREMENTS OF COSMETIC SPECIFICATION PS-45499-002 BUT, MEETS CLASS 'C' REQUIREMENTS FOR BUBBLES, SINK AND DISCOLORATION.
8. MOLDED IN SERIES NO. MAY BE 172672 OR 44441.



SEE SHEET 1 EC NO: UCP2015-4773 DRWN: JDOX CHKD: BANDERSON APPR: FSMITH	2015/05/13 2015/05/13 2015/05/21	QUALITY SYMBOLS	GENERAL TOLERANCES (UNLESS SPECIFIED)		DIMENSION STYLE	SCALE	DESIGN UNITS	THIRD ANGLE PROJECTION	
		▽=0	mm	INCH	IN/MM	3:1	INCH		
		▽=0	4 PLACES ± ---	± ---	DRAWN BY	DATE	TITLE		
		▽=0	3 PLACES ± ---	± .010	JDOX	2014/07/25	SUPER-SABRE RECEPTACLE HOUSING		
	2 PLACES ± 0.25	± .014	CHECKED BY	DATE					
	1 PLACE ± 0.35	± ---	BANDERSON	2014/07/25					
	0 PLACE ± ---	± ---	APPROVED BY	DATE					
			FSMITH	2014/07/31					
			ANGULAR ±1/2°		MATERIAL NO.	DOCUMENT NO.		SHEET NO.	
			DRAFT WHERE APPLICABLE MUST REMAIN WITHIN DIMENSIONS		SEE CHART	SD-172672-001		6 OF 6	
			THIS DRAWING CONTAINS INFORMATION THAT IS PROPRIETARY TO MOLEX INCORPORATED AND SHOULD NOT BE USED WITHOUT WRITTEN PERMISSION						