



Chipsmall Limited consists of a professional team with an average of over 10 year of expertise in the distribution of electronic components. Based in Hongkong, we have already established firm and mutual-benefit business relationships with customers from,Europe,America and south Asia,supplying obsolete and hard-to-find components to meet their specific needs.

With the principle of “Quality Parts,Customers Priority,Honest Operation,and Considerate Service”,our business mainly focus on the distribution of electronic components. Line cards we deal with include Microchip,ALPS,ROHM,Xilinx,Pulse,ON,Everlight and Freescale. Main products comprise IC,Modules,Potentiometer,IC Socket,Relay,Connector.Our parts cover such applications as commercial,industrial, and automotives areas.

We are looking forward to setting up business relationship with you and hope to provide you with the best service and solution. Let us make a better world for our industry!



Contact us

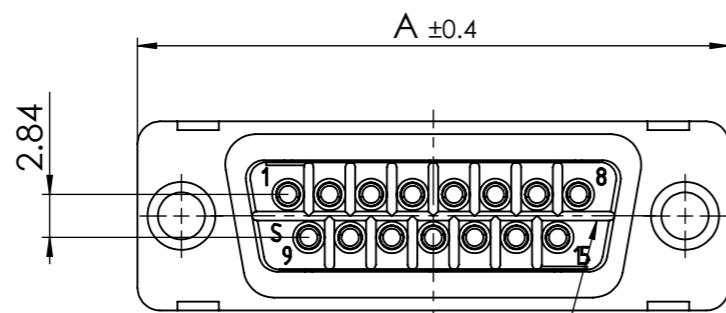
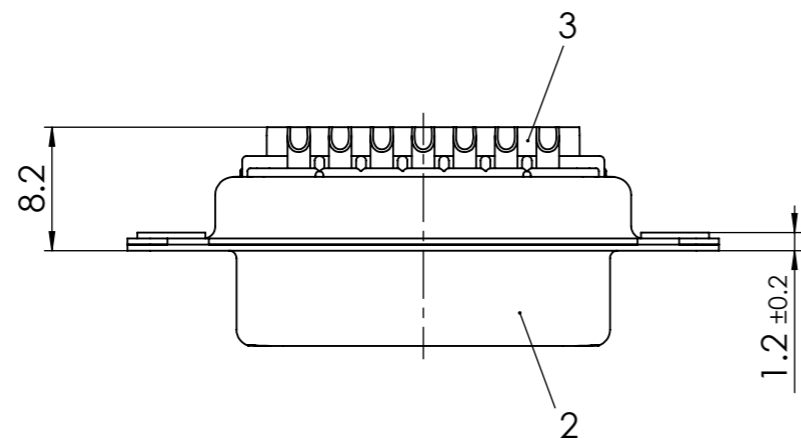
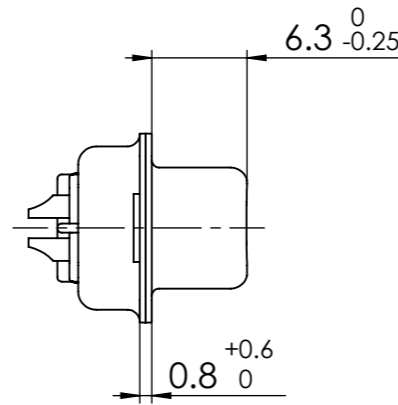
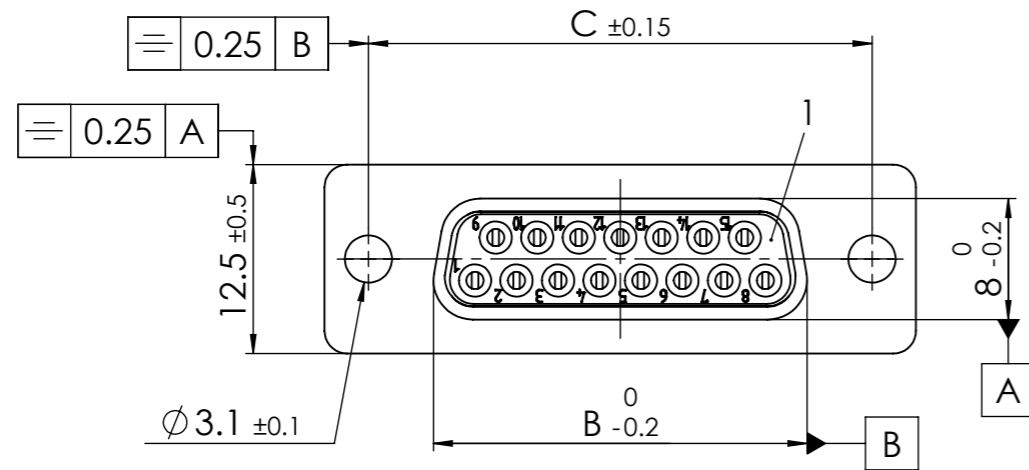
Tel: +86-755-8981 8866 Fax: +86-755-8427 6832

Email & Skype: info@chipsmall.com Web: www.chipsmall.com

Address: A1208, Overseas Decoration Building, #122 Zhenhua RD., Futian, Shenzhen, China



COMMENT:
 ALL RIGHTS ARE RESERVED BY US FOR THIS DRAWING. WITHOUT OUR PRIOR CONSENT,
 IT MAY NEITHER BE DUPLICATED NOR MADE AVAILABLE TO A THIRD PARTY.
 AND IT ALSO MAY NOT BE IMPROPERLY USED BY THE RECEIVER, OR A THIRD PARTY.



Connectors with 37 contacts,
 without geometry for
 creepage distance

Fxx*1)SA-K700

e.g. F15SA-K700


RoHS compliant

*1) xx No. of contacts 09, 15, 25 or 37

xx	A [mm]	B [mm]	C [mm]
09	30.8	16.4	25
15	39.1	24.7	33.3
25	53	38.5	47.04
37	69.3	54.9	63.5

Protection standard IP67, 100% checked according to DIN EN60529

No.	St.	Part	Type	Description/Material	Surface plating/Colour/Class
3	xx	Signal contact	S0	Brass	AuroPur / AWG 20
2	1	Shell		Brass	tin plated
1	1	Insulator		PBT (-25°C - +70°C)	red

DRAWN	sschref 22-05-2013	CHECKED	ADenzinger 22-05-2013	 a molex company	DWG.NO. FxxSA-K700	REV. 1