



Chipsmall Limited consists of a professional team with an average of over 10 year of expertise in the distribution of electronic components. Based in Hongkong, we have already established firm and mutual-benefit business relationships with customers from,Europe,America and south Asia,supplying obsolete and hard-to-find components to meet their specific needs.

With the principle of "Quality Parts,Customers Priority,Honest Operation,and Considerate Service",our business mainly focus on the distribution of electronic components. Line cards we deal with include Microchip,ALPS,ROHM,Xilinx,Pulse,ON,Everlight and Freescale. Main products comprise IC,Modules,Potentiometer,IC Socket,Relay,Connector.Our parts cover such applications as commercial,industrial, and automotives areas.

We are looking forward to setting up business relationship with you and hope to provide you with the best service and solution. Let us make a better world for our industry!



Contact us

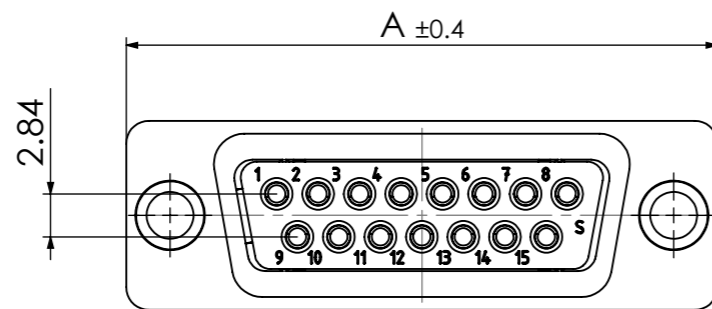
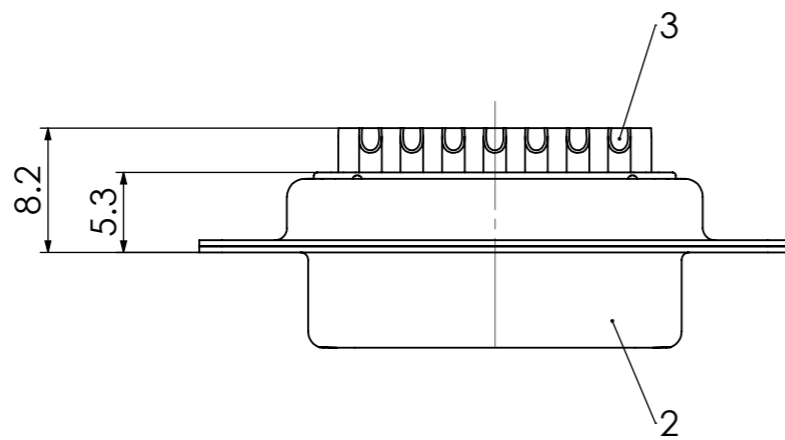
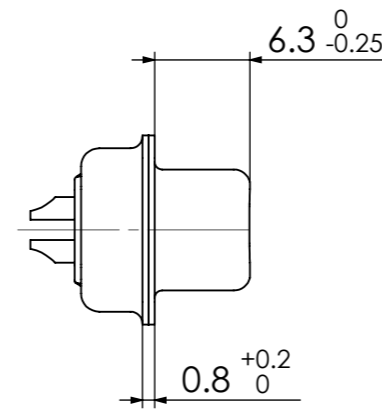
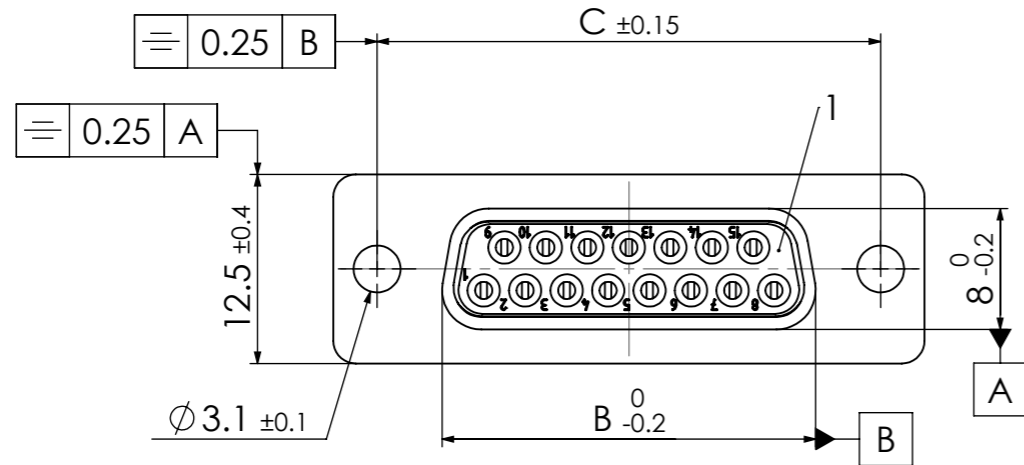
Tel: +86-755-8981 8866 Fax: +86-755-8427 6832

Email & Skype: info@chipsmall.com Web: www.chipsmall.com

Address: A1208, Overseas Decoration Building, #122 Zhenhua RD., Futian, Shenzhen, China



COMMENT:
 ALL RIGHTS ARE RESERVED BY US FOR THIS DRAWING. WITHOUT OUR PRIOR CONSENT,
 IT MAY NEITHER BE DUPLICATED NOR MADE AVAILABLE TO A THIRD PARTY.
 AND IT ALSO MAY NOT BE IMPROPERLY USED BY THE RECEIVER, OR A THIRD PARTY.



Fxx*1)S0Gy*2)
 e.g. F09S0G1

*1) xx No. of contacts 09, 15, 25 or 37

*2) y for performance classes 1, 2 or 3
 (contact cycle for G1/G2/G3 = 500/200/50)

xx	A [mm]	B [mm]	C [mm]
09	30.8	16.4	25
15	39.1	24.7	33.3
25	53	38.5	47.04
37	69.3	54.9	63.5

RoHS compliant

No.	St.	Part	Type Description/Material	Surface plating/Colour/Class
3	xx	Signal contact	S0 / Brass	AWG 20 / G1/G2/G3
2	1	Shell	Steel	tin plated
1	1	Insulator	PBT (-55°C - +125°C)	white

		Measurement without tolerance occ. to ISO 2768-m		SCALE	TITLE	
				2:1	D-Sub Miniature Connector	
		NAME / DATE				
		DRAWN Denzinger 08-10-2002				
		CHECKED floßmann 08-10-2002				
				DWG.NO.	REV.	
				FxxS0Gy	1	
1	REV.	DATE	CH.-NO.	ORIGINAL: DIN A3-DRAWING AS A FILE	REPLACEMENT FOR: FxxS0Gy α	PAGES 1