



Chipsmall Limited consists of a professional team with an average of over 10 year of expertise in the distribution of electronic components. Based in Hongkong, we have already established firm and mutual-benefit business relationships with customers from,Europe,America and south Asia,supplying obsolete and hard-to-find components to meet their specific needs.

With the principle of “Quality Parts,Customers Priority,Honest Operation,and Considerate Service”,our business mainly focus on the distribution of electronic components. Line cards we deal with include Microchip,ALPS,ROHM,Xilinx,Pulse,ON,Everlight and Freescale. Main products comprise IC,Modules,Potentiometer,IC Socket,Relay,Connector.Our parts cover such applications as commercial,industrial, and automotives areas.

We are looking forward to setting up business relationship with you and hope to provide you with the best service and solution. Let us make a better world for our industry!



Contact us

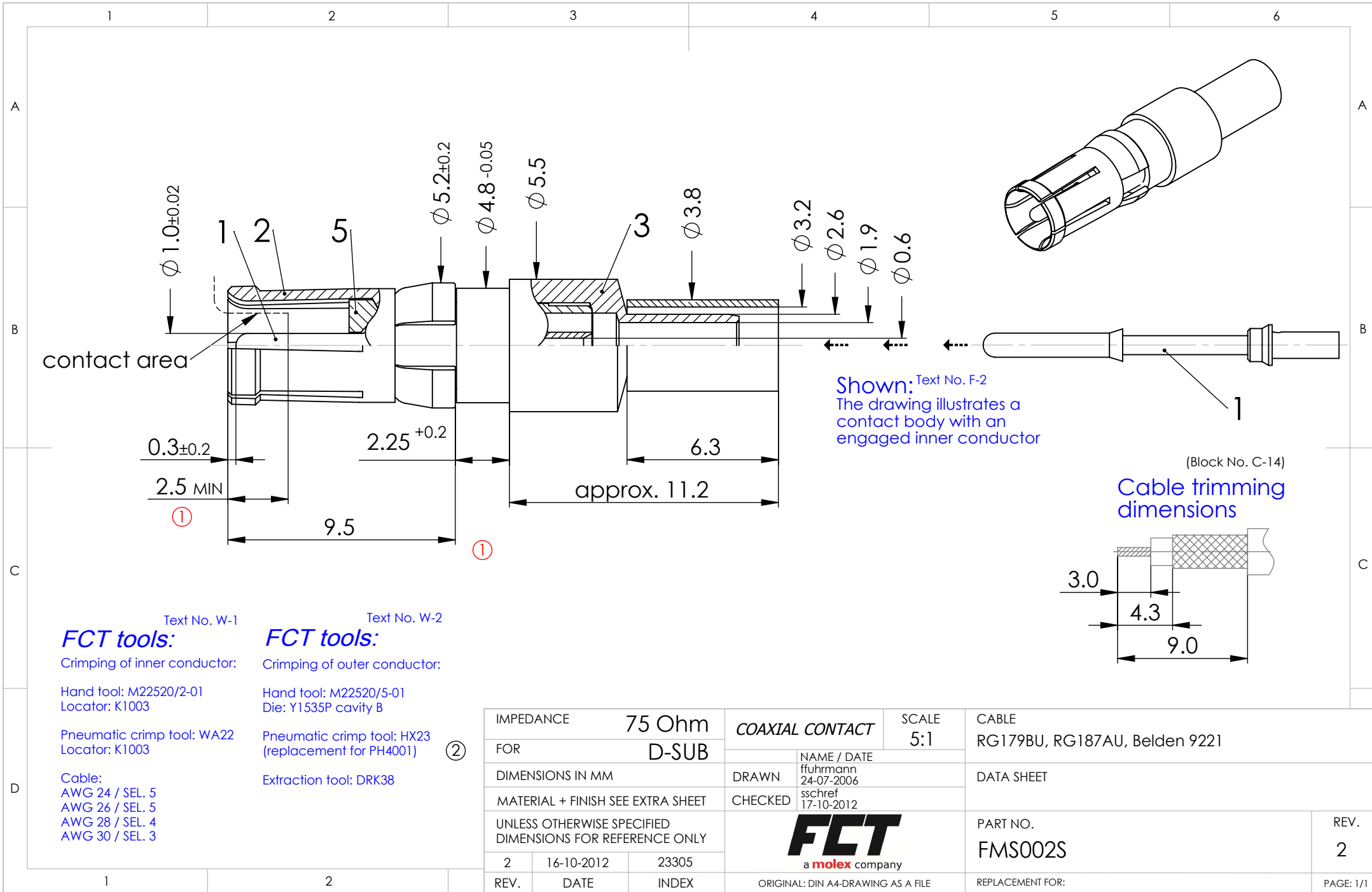
Tel: +86-755-8981 8866 Fax: +86-755-8427 6832

Email & Skype: info@chipsmall.com Web: www.chipsmall.com

Address: A1208, Overseas Decoration Building, #122 Zhenhua RD., Futian, Shenzhen, China



COMMENT:
 ALL RIGHTS ARE RESERVED BY US FOR THIS DRAWING. WITHOUT OUR PRIOR CONSENT,
 IT MAY NEITHER BE DUPLICATED NOR MADE AVAILABLE TO A THIRD PARTY,
 AND IT ALSO MAY NOT BE IMPROPERLY USED BY TE RECEIVER, OR A THIRD PARTY.



Shown: Text No. F-2
 The drawing illustrates a contact body with an engaged inner conductor

(Block No. C-14)

Cable trimming dimensions

Text No. W-1
FCT tools:

Crimping of inner conductor:

Hand tool: M22520/2-01
 Locator: K1003

Pneumatic crimp tool: WA22
 Locator: K1003

Cable:
 AWG 24 / SEL. 5
 AWG 26 / SEL. 5
 AWG 28 / SEL. 4
 AWG 30 / SEL. 3

Text No. W-2
FCT tools:

Crimping of outer conductor:

Hand tool: M22520/5-01
 Die: Y1535P cavity B

Pneumatic crimp tool: HX23
 (replacement for PH4001) ②

Extraction tool: DRK38

IMPEDANCE		75 Ohm	COAXIAL CONTACT	SCALE 5:1	CABLE	
FOR		D-SUB			RG179BU, RG187AU, Belden 9221	
DIMENSIONS IN MM			DRAWN	NAME / DATE		
MATERIAL + FINISH SEE EXTRA SHEET			CHECKED	ffuhrmann 24-07-2006		
UNLESS OTHERWISE SPECIFIED DIMENSIONS FOR REFERENCE ONLY						
2	16-10-2012	23305				DATA SHEET
REV.	DATE	INDEX	PART NO.		REV.	
			FMS002S		2	
ORIGINAL: DIN A4-DRAWING AS A FILE			REPLACEMENT FOR:		PAGE: 1/1	