



Chipsmall Limited consists of a professional team with an average of over 10 year of expertise in the distribution of electronic components. Based in Hongkong, we have already established firm and mutual-benefit business relationships with customers from,Europe,America and south Asia,supplying obsolete and hard-to-find components to meet their specific needs.

With the principle of "Quality Parts,Customers Priority,Honest Operation,and Considerate Service",our business mainly focus on the distribution of electronic components. Line cards we deal with include Microchip,ALPS,ROHM,Xilinx,Pulse,ON,Everlight and Freescale. Main products comprise IC,Modules,Potentiometer,IC Socket,Relay,Connector.Our parts cover such applications as commercial,industrial, and automotives areas.

We are looking forward to setting up business relationship with you and hope to provide you with the best service and solution. Let us make a better world for our industry!



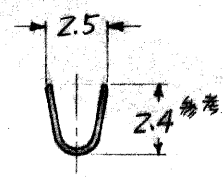
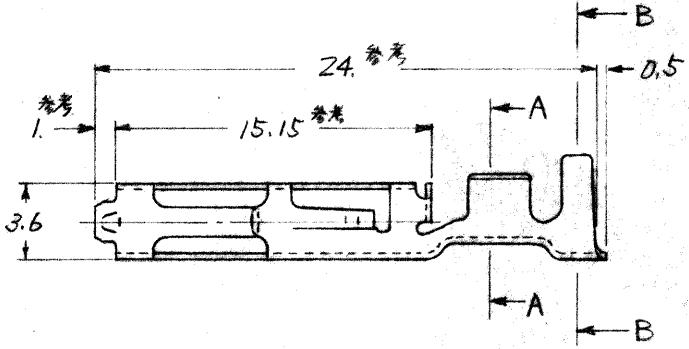
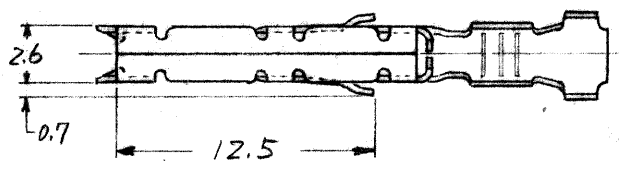
Contact us

Tel: +86-755-8981 8866 Fax: +86-755-8427 6832

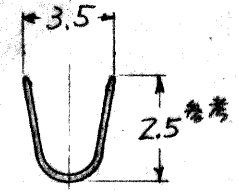
Email & Skype: info@chipsmall.com Web: www.chipsmall.com

Address: A1208, Overseas Decoration Building, #122 Zhenhua RD., Futian, Shenzhen, China





断面 A-A



断面 B-B

注記

- 1. 適用プラグハウジング型番: 172450
- 2. 連鎖状型番: 172754-1

単位: 耗 DIMENSIONS IN MM DO NOT SCALE PRINT

参考図面
(CUSTOMER COPY
REFERENCE ONLY)

材料 (MATERIAL): りん青銅		仕上 (FINISH): ニッケル下地, 部分金めつき		抱合電線断面積 (WIRE RANGE): 0.2 ~ 0.75 mm ² (AWG 24-18)		分類 (CLASS):	
被覆外径 (INSULATION DIA.): 1.1 ~ 2.8 mm (IN)		一般公差 (TOLERANCE): { ±0.4 EXCEPT (±0.15) AS NOTED }		尺度 (SCALE): #		型式 (TYPE):	
LOC: J		SIZE: A		番号 (NO.): C-172755		REV. P	
名称 (NAME): リセブタクルコンタクト (バラ状) マルチタクトコネクタ圧着タイプ							

P	REVISED PER ECO-11-005140	RK	HMR	05APR 11
LTR.	変更 (REVISION RECORD)	DR.	CHK.	DATE
DR.	Y. Fujiwara 3/24/82	DE.		3/21/82
CHK.		APP.	T. Odo	

PRINT DIST