



Chipsmall Limited consists of a professional team with an average of over 10 year of expertise in the distribution of electronic components. Based in Hongkong, we have already established firm and mutual-benefit business relationships with customers from,Europe,America and south Asia,supplying obsolete and hard-to-find components to meet their specific needs.

With the principle of “Quality Parts,Customers Priority,Honest Operation,and Considerate Service”,our business mainly focus on the distribution of electronic components. Line cards we deal with include Microchip,ALPS,ROHM,Xilinx,Pulse,ON,Everlight and Freescale. Main products comprise IC,Modules,Potentiometer,IC Socket,Relay,Connector.Our parts cover such applications as commercial,industrial, and automotives areas.

We are looking forward to setting up business relationship with you and hope to provide you with the best service and solution. Let us make a better world for our industry!



Contact us

Tel: +86-755-8981 8866 Fax: +86-755-8427 6832

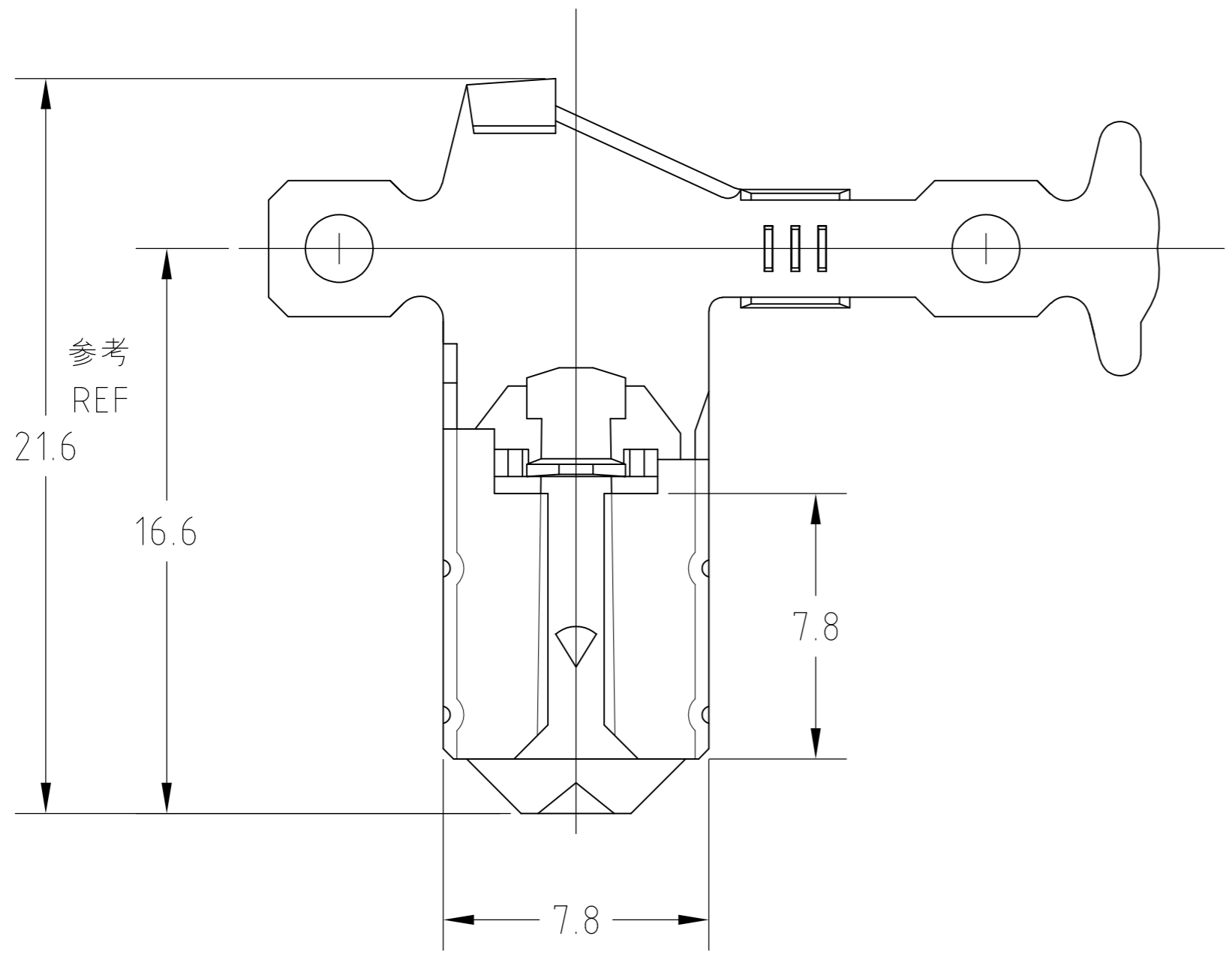
Email & Skype: info@chipsmall.com Web: www.chipsmall.com

Address: A1208, Overseas Decoration Building, #122 Zhenhua RD., Futian, Shenzhen, China



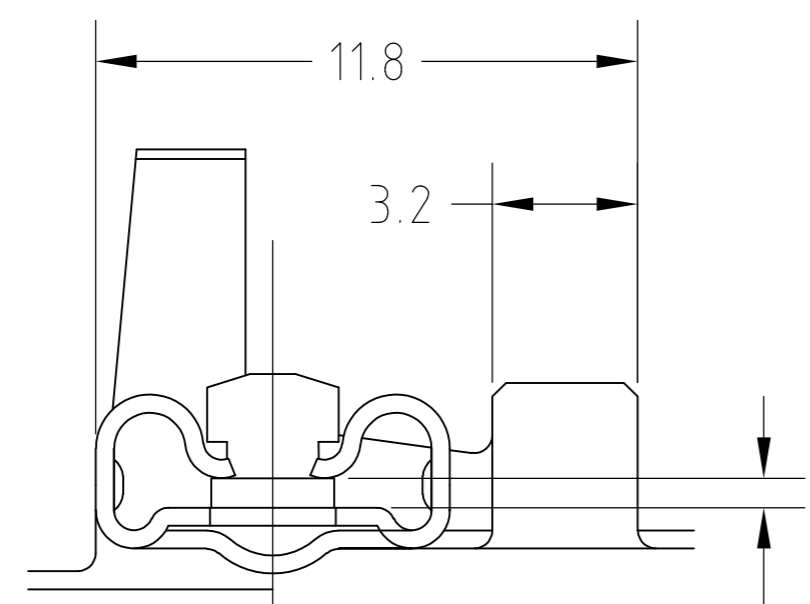
THIS DRAWING IS UNPUBLISHED. RELEASED FOR PUBLICATION
 © COPYRIGHT - By - ALL RIGHTS RESERVED.

LOC	DIST	REVISIONS					
		P	LTR	DESCRIPTION	DATE	DWN	APVD
J	-	C1		REVISED PER ECO-11-005030	11MAR11	RK	HMR

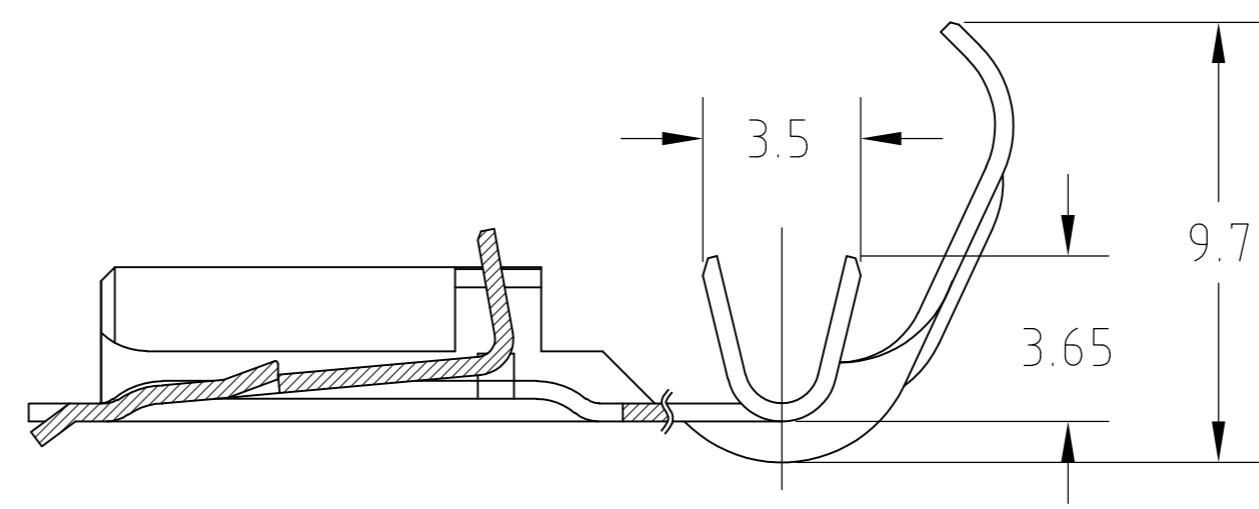


- 注：
 1. 一般公差±0.3,±3°
 2. 適用ハウジング型番：172469
 3. 取扱説明書番号：15-212J

- NOTES:
 1. GENERAL TOLERANCE±0.3,±3°
 2. APPLICABLE HOUSING P/N: 172469
 3. APPLICABLE INSTRUCTION SHEET: 15-212J



0.8厚タブとカン合
 MATE WITH 0.8mm THK TAB



-	錫めっき済 銅合金 PRE-TIN COPPER ALLOY	172763-2
172764-1	錫めっき済 黄銅 PRE-TIN BRASS	172763-1
ばら状端子型番 LOOSE PIECE P/N	材 料 MATERIAL	型番 P/N

THIS DRAWING IS A CONTROLLED DOCUMENT.		DWN J.SATO 15DEC2004	TE TE Connectivity	
DIMENSIONS: 単位：mm		CHK A.OISHI 15DEC.2004		
TOLERANCES UNLESS OTHERWISE SPECIFIED 一般公差		APVD N.YAMASAKI 15DEC.2004	NAME 250"SERIES FLAG POSITIVE LOCK(MARK-II) REC.	
0 PLC ± 1 PLC ± 2 PLC ± 3 PLC ± 4 PLC ± ANGLES ±		PRODUCT SPEC 108-5162	"250"シリーズ旗型ポジティブロック(マークII)リセプタクル	
MATERIAL 材 料 SEE TABLE		APPLICATION SPEC 114-5070	SIZE A2	RESTRICTED TO -
FINISH 仕上 SEE TABLE		WEIGHT 1.130/EA	CAGE CODE 00779	DRAWING NO C=172763
		CUSTOMER DRAWING	SCALE 尺 度 6:1	SHEET 1 of 1
				REV C1

172763