



Chipsmall Limited consists of a professional team with an average of over 10 year of expertise in the distribution of electronic components. Based in Hongkong, we have already established firm and mutual-benefit business relationships with customers from,Europe,America and south Asia,supplying obsolete and hard-to-find components to meet their specific needs.

With the principle of “Quality Parts,Customers Priority,Honest Operation,and Considerate Service”,our business mainly focus on the distribution of electronic components. Line cards we deal with include Microchip,ALPS,ROHM,Xilinx,Pulse,ON,Everlight and Freescale. Main products comprise IC,Modules,Potentiometer,IC Socket,Relay,Connector.Our parts cover such applications as commercial,industrial, and automotives areas.

We are looking forward to setting up business relationship with you and hope to provide you with the best service and solution. Let us make a better world for our industry!



Contact us

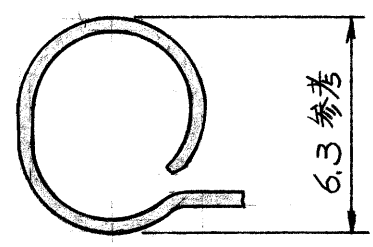
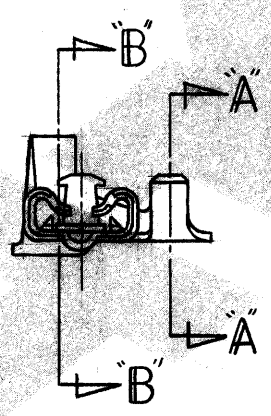
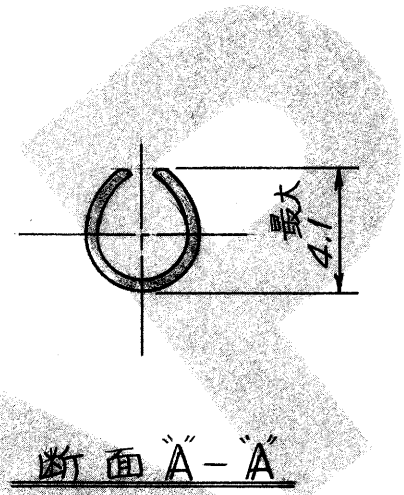
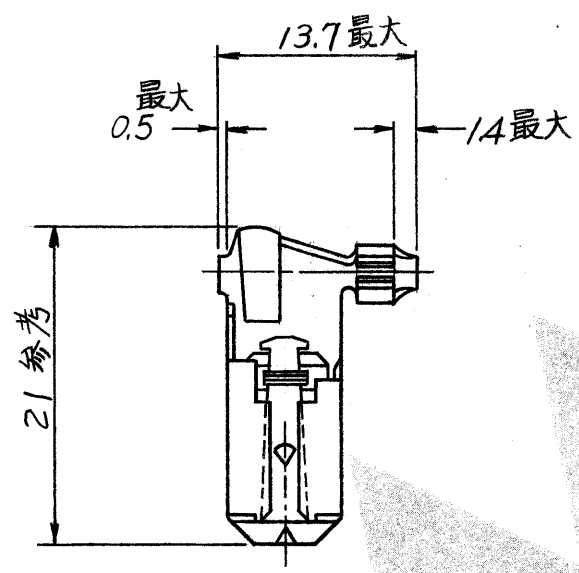
Tel: +86-755-8981 8866 Fax: +86-755-8427 6832

Email & Skype: info@chipsmall.com Web: www.chipsmall.com

Address: A1208, Overseas Decoration Building, #122 Zhenhua RD., Futian, Shenzhen, China



番号 (NUMBER) C-172764



注;

1. 取付適用規格番号; 114-5070

単位: 耗 DIMENSIONS IN MM. DO NOT SCALE PRINT

15-212J, -215J		753780-1		172764-1		錫めっき付黄銅 0.41t		172763-1			
取扱説明書番号		手動工具型番		連鎖状端子型番		材 料		型 番			
				<small>©19 年日本 AMP 株式会社 AMP 社の諸製品は特許又は特許出願中</small>				<small>©19 BY AMP (Japan) Ltd. ALL RIGHTS RESERVED. AMP PRODUCTS COVERED BY PATENTS AND/OR PATENTS PENDING</small>		参考図面 (CUSTOMER COPY REFERENCE ONLY)	
A2 15 番号追加 J84-7739				表参照						日本イー・エム・ピー株式会社	
A1 工具型番決定 J83-6975				表参照				TRADE MARK		TOKYO, JAPAN	
A 変更 J82-6745				包含電線断面積 (WIRE RANGE) 0.75~2.27 mm ² (#18-14)				分 類 (CLASS) — # —			
O 作成 J82-6359				被覆外径 (INSULATION DIA.) 2.8~5.2 mm (— # — IN)				型 式 (TYPE) — # —			
LTR	変更 (REVISION RECORD)		DR.	CHK.	DATE	一般公差 TOLERANCE EXCEPT AS NOTED ±0.4	尺 度 (SCALE) 2-1(4-1)	LOC	SIZE	番 号 (NO)	REV.
DR.	M. Yoshida 2/1/82		DE.				名称 (NAME)		"250" シリーズ 旗型 ポジティブ ロック リセツタブル (バラ状)		
CHK.	M. Yoshida		APP.	2/2/82							