



Chipsmall Limited consists of a professional team with an average of over 10 year of expertise in the distribution of electronic components. Based in Hongkong, we have already established firm and mutual-benefit business relationships with customers from,Europe,America and south Asia,supplying obsolete and hard-to-find components to meet their specific needs.

With the principle of "Quality Parts,Customers Priority,Honest Operation,and Considerate Service",our business mainly focus on the distribution of electronic components. Line cards we deal with include Microchip,ALPS,ROHM,Xilinx,Pulse,ON,Everlight and Freescale. Main products comprise IC,Modules,Potentiometer,IC Socket,Relay,Connector.Our parts cover such applications as commercial,industrial, and automotives areas.

We are looking forward to setting up business relationship with you and hope to provide you with the best service and solution. Let us make a better world for our industry!



## Contact us

Tel: +86-755-8981 8866 Fax: +86-755-8427 6832

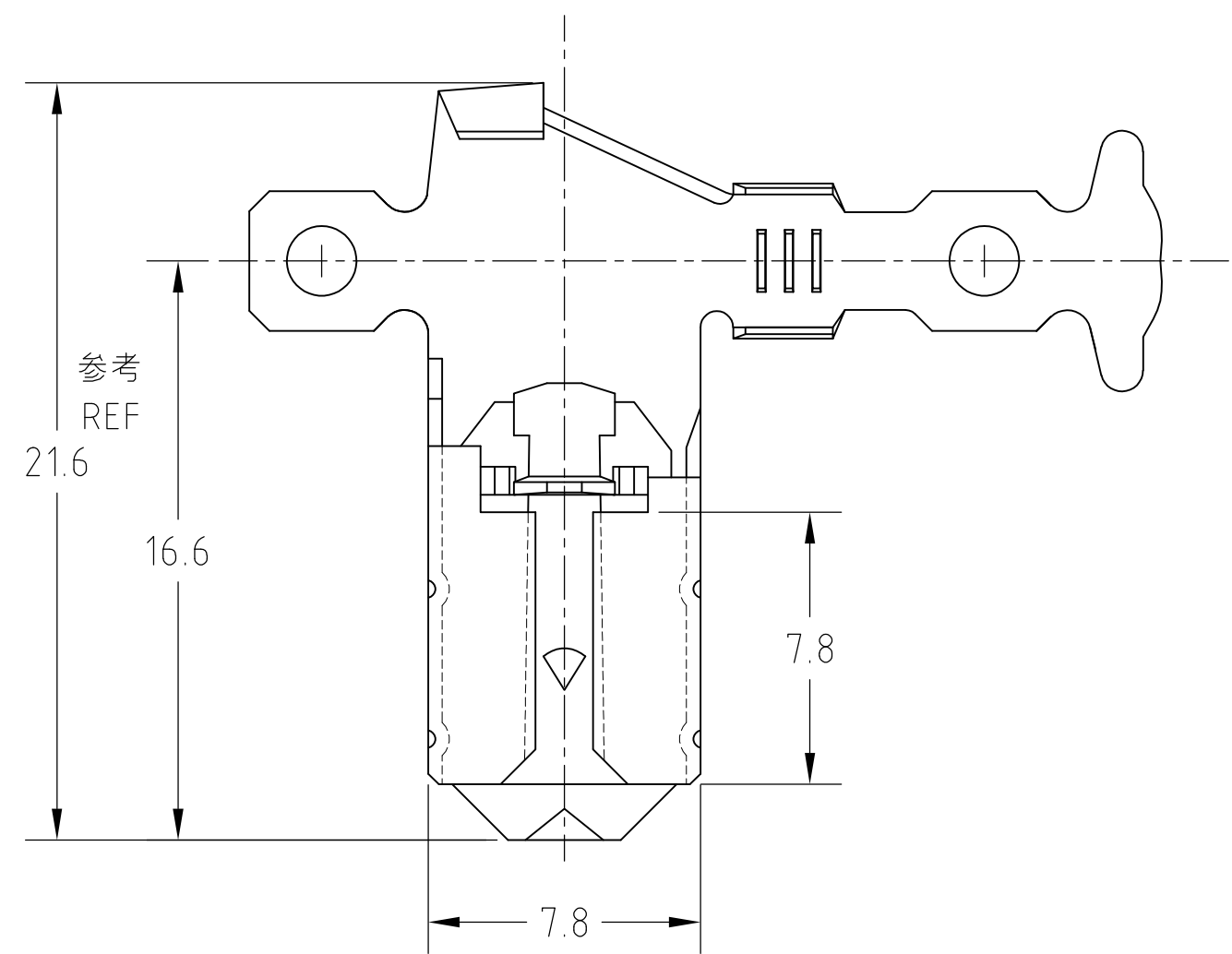
Email & Skype: info@chipsmall.com Web: www.chipsmall.com

Address: A1208, Overseas Decoration Building, #122 Zhenhua RD., Futian, Shenzhen, China



THIS DRAWING IS UNPUBLISHED. RELEASED FOR PUBLICATION  
 © COPYRIGHT BY TYCO ELECTRONICS CORPORATION. ALL RIGHTS RESERVED.

LOC	DIST	REVISIONS 変更			
P	LTR	DESCRIPTION	DATE	DWN	APVD
	A	REDRAWN WITH CHANGE ECR-05-001810	18APR05	J.S	N.Y
	A1	REVISED ECR-05-017845	13DEC05	J.S	N.Y
	A2	REV PER ECO-10-000443	13JAN10	KK	AEG

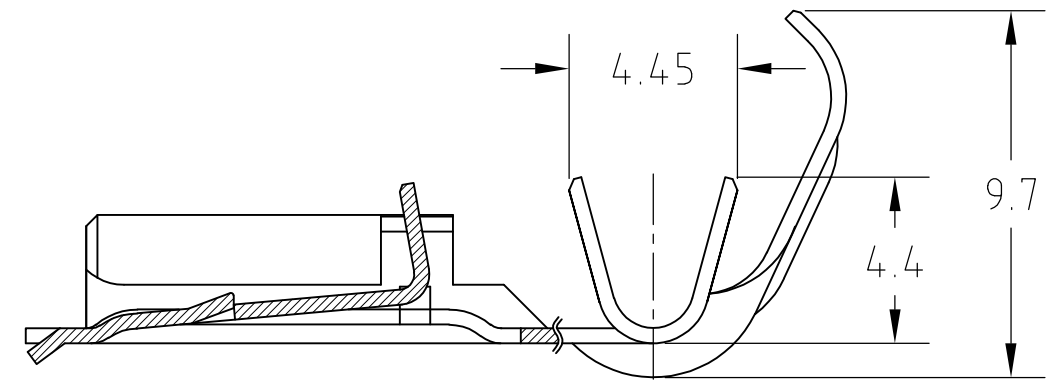
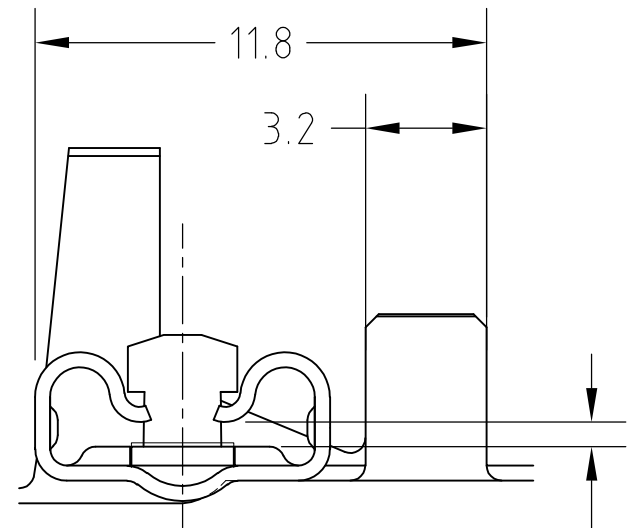


- 注：  
 1. 一般公差±0.3,±3°  
 2. 適用ハウジング型番：172469  
 3. 取扱説明書番号：15-212J

- NOTES:  
 1. GENERAL TOLERANCE±0.3,±3°  
 2. APPLICABLE HOUSING P/N: 172469  
 3. APPLICABLE INSTRUCTION SHEET: 15-212J

△ OBSOLETE PARTS: OBSOLETE CIS STREAMLINING PER D.RENAUD/D.SINISI

△ OBSOLETE	Symbol	Material	P/N
	—//—	錫めっき済 銅合金 PRE-TIN COPPER ALLOY	172765-2
		錫めっき済 黄銅 PRE-TIN BRASS	172765-1
		ばら状端子型番 LOOSE PIECE P/N	材料 MATERIAL
			型番 P/N



0.8厚タブとカン合  
 MATE WITH 0.8mm THK TAB

THIS DRAWING IS A CONTROLLED DOCUMENT.		DWN J.SATO 18APR2005	<b>tyco</b> Tyco Electronics AMP K.K.	
DIMENSIONS: 単位： 耗 mm		CHK N.YAMASAKI 18APR.2005	Kawasaki, Japan	
TOLERANCES UNLESS OTHERWISE SPECIFIED: 一般公差		APVD N.YAMASAKI 18APR2005	NAME 名称 250 SERIES FLAG POSITIVE LOCK (MARK-II) RECEPTACLE	
0 PLC ± 1 PLC ± 2 PLC ± 3 PLC ± 4 PLC ± ANGLES ±		PRODUCT SPEC 製品規格 108-5162	SIZE A3	CAGE CODE 00779
MATERIAL 材料 SEE TABLE		APPLICATION SPEC 取付適用規格 114-5070	DRAWING NO 番号 G-172765	RESTRICTED TO —
FINISH 仕上		WEIGHT	SCALE 尺度 5:1	
		CUSTOMER DRAWING		SHEET 1 OF 1
				REV A2