



Chipsmall Limited consists of a professional team with an average of over 10 year of expertise in the distribution of electronic components. Based in Hongkong, we have already established firm and mutual-benefit business relationships with customers from,Europe,America and south Asia,supplying obsolete and hard-to-find components to meet their specific needs.

With the principle of “Quality Parts,Customers Priority,Honest Operation,and Considerate Service”,our business mainly focus on the distribution of electronic components. Line cards we deal with include Microchip,ALPS,ROHM,Xilinx,Pulse,ON,Everlight and Freescale. Main products comprise IC,Modules,Potentiometer,IC Socket,Relay,Connector.Our parts cover such applications as commercial,industrial, and automotives areas.

We are looking forward to setting up business relationship with you and hope to provide you with the best service and solution. Let us make a better world for our industry!



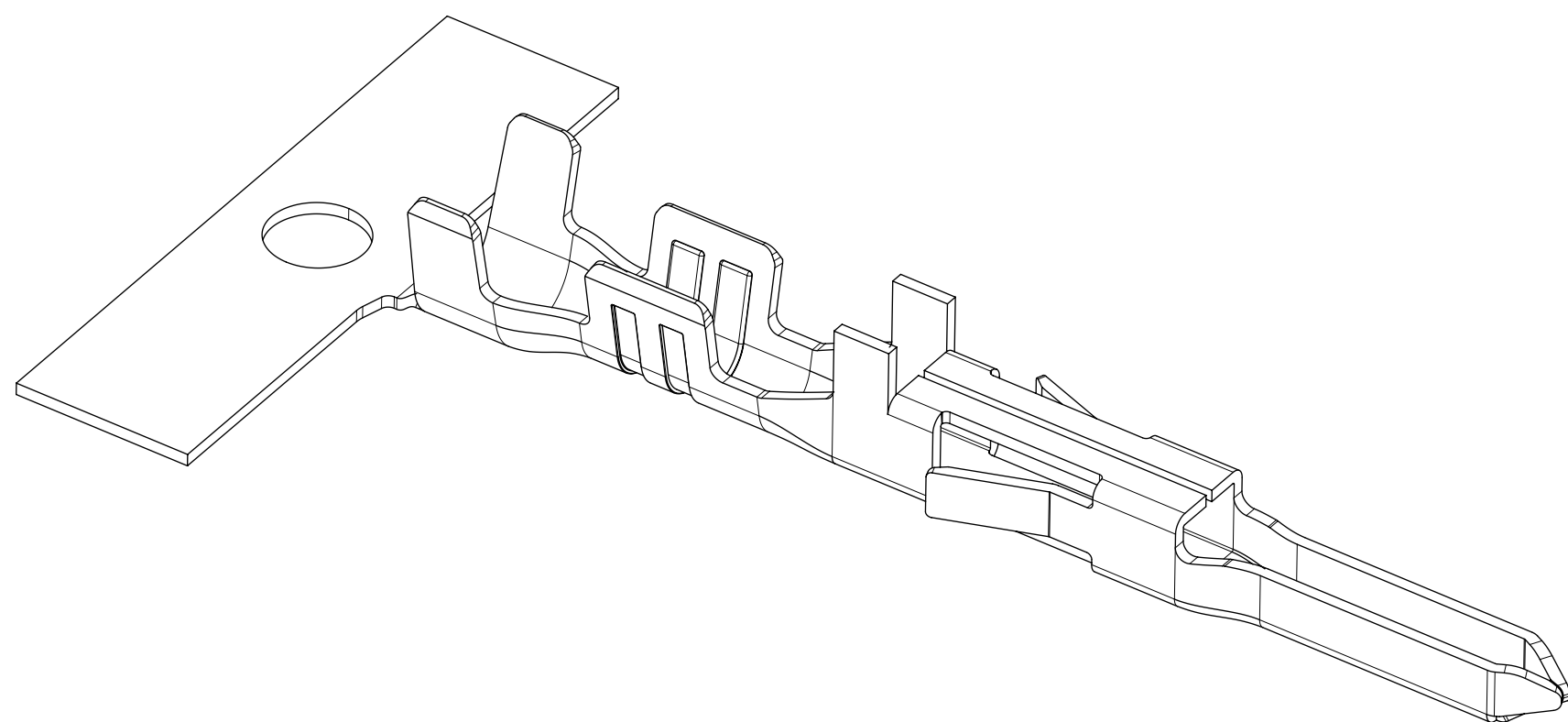
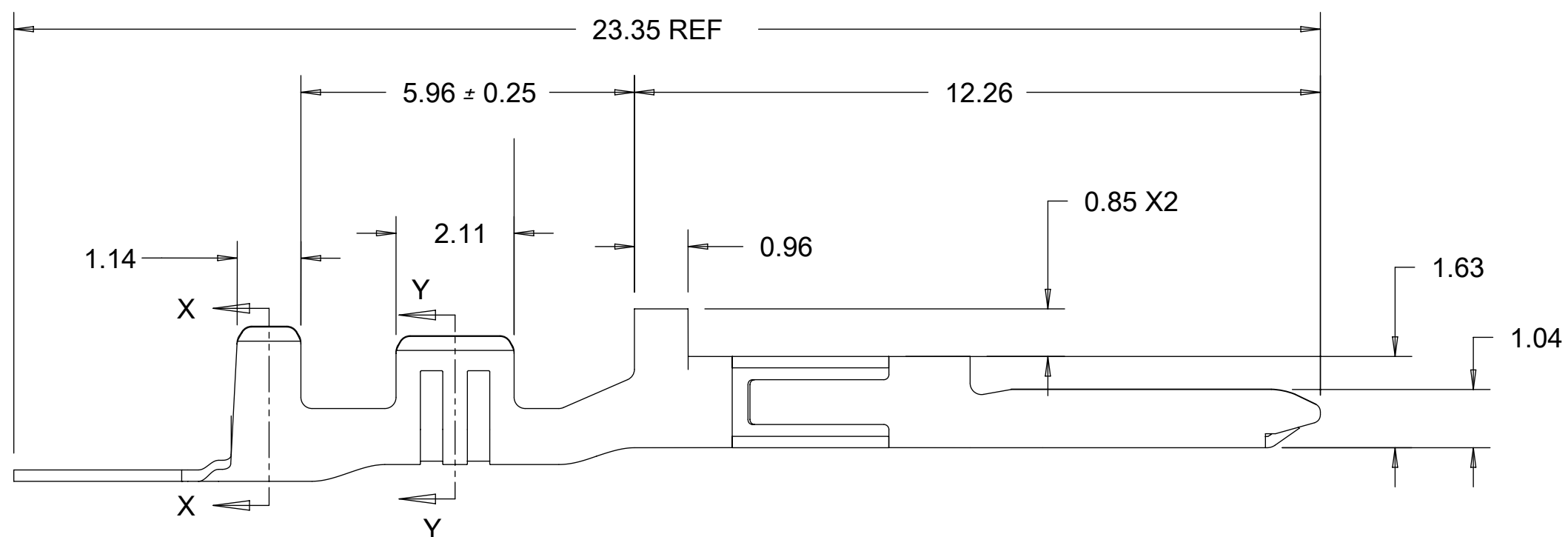
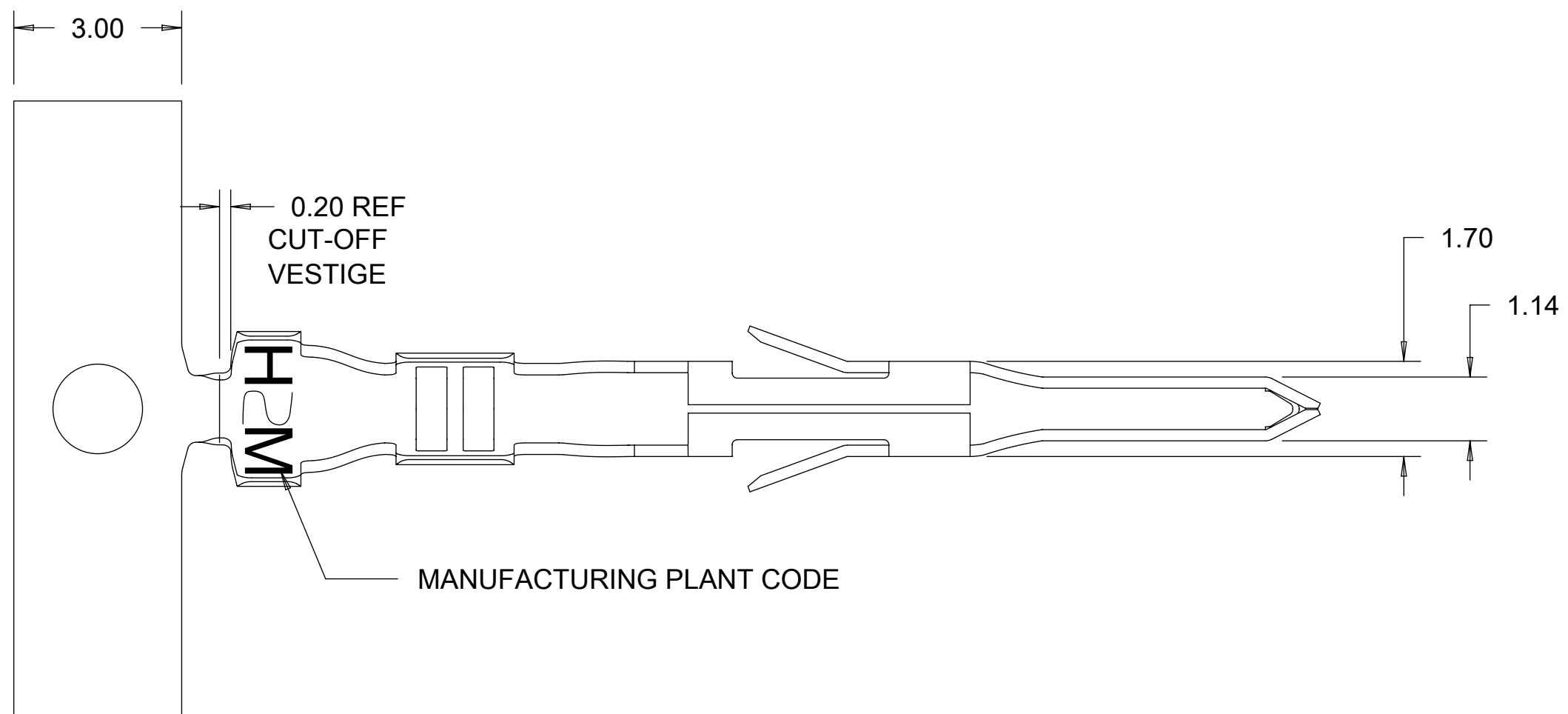
Contact us

Tel: +86-755-8981 8866 Fax: +86-755-8427 6832

Email & Skype: info@chipsmall.com Web: www.chipsmall.com

Address: A1208, Overseas Decoration Building, #122 Zhenhua RD., Futian, Shenzhen, China

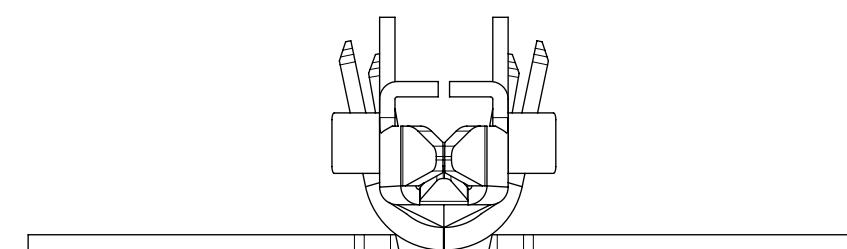




PART LEGEND

172765- * 1 2 *

| | |
|--------------------------|-----------------------------|
| SERIES | FORM |
| WIRE GAGE (INS OD RANGE) | 1 = CHAIN |
| 1 = 16 (Ø1.98-2.55) | 2 = LOOSE |
| 2 = 16 (Ø2.55-3.14) | MATERIAL |
| 3 = 18-20 (Ø1.42-2.10) | 2 = BRASS |
| 4 = 18-20 (Ø2.10-2.85) | PLATING |
| 5 = 22-24 (Ø1.07-1.65) | 1 = HOT TIN DIP (PRE-PLATE) |
| 6 = 22-24 (Ø1.65-2.38) | |

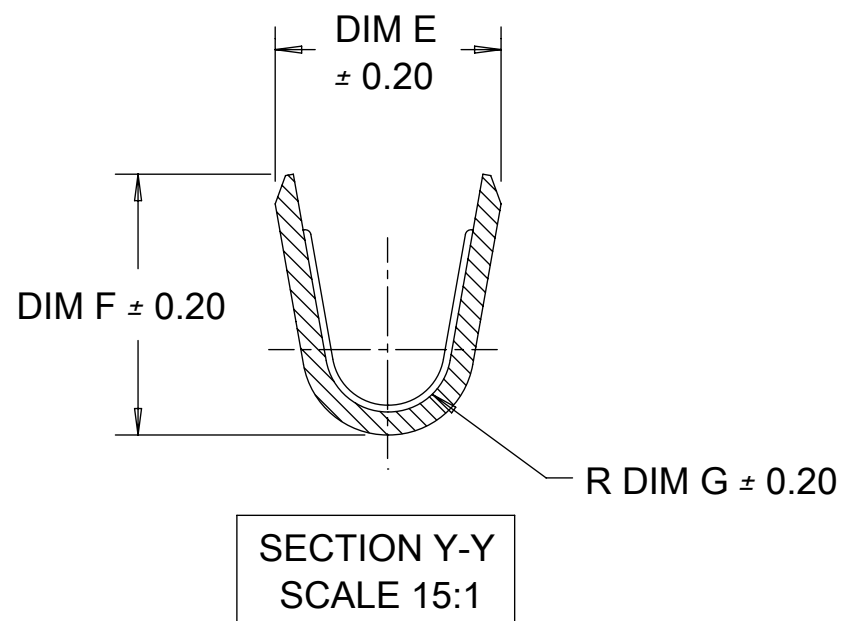
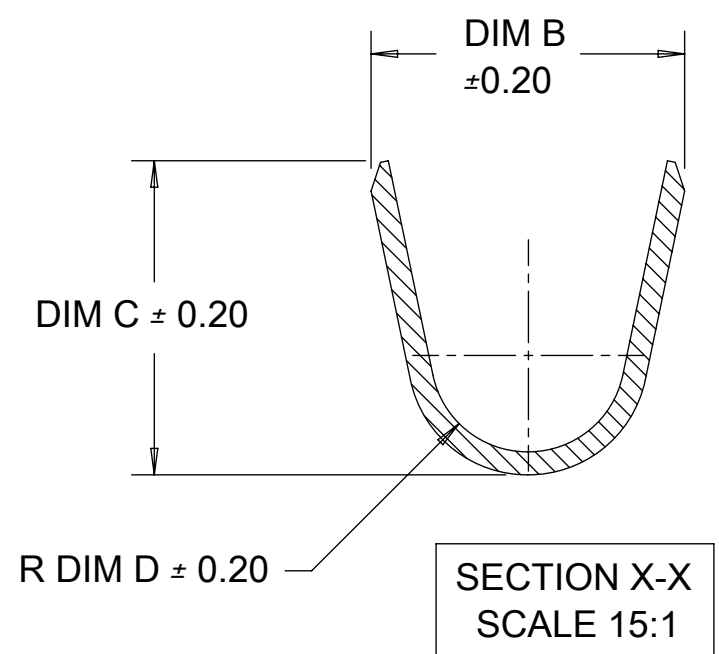
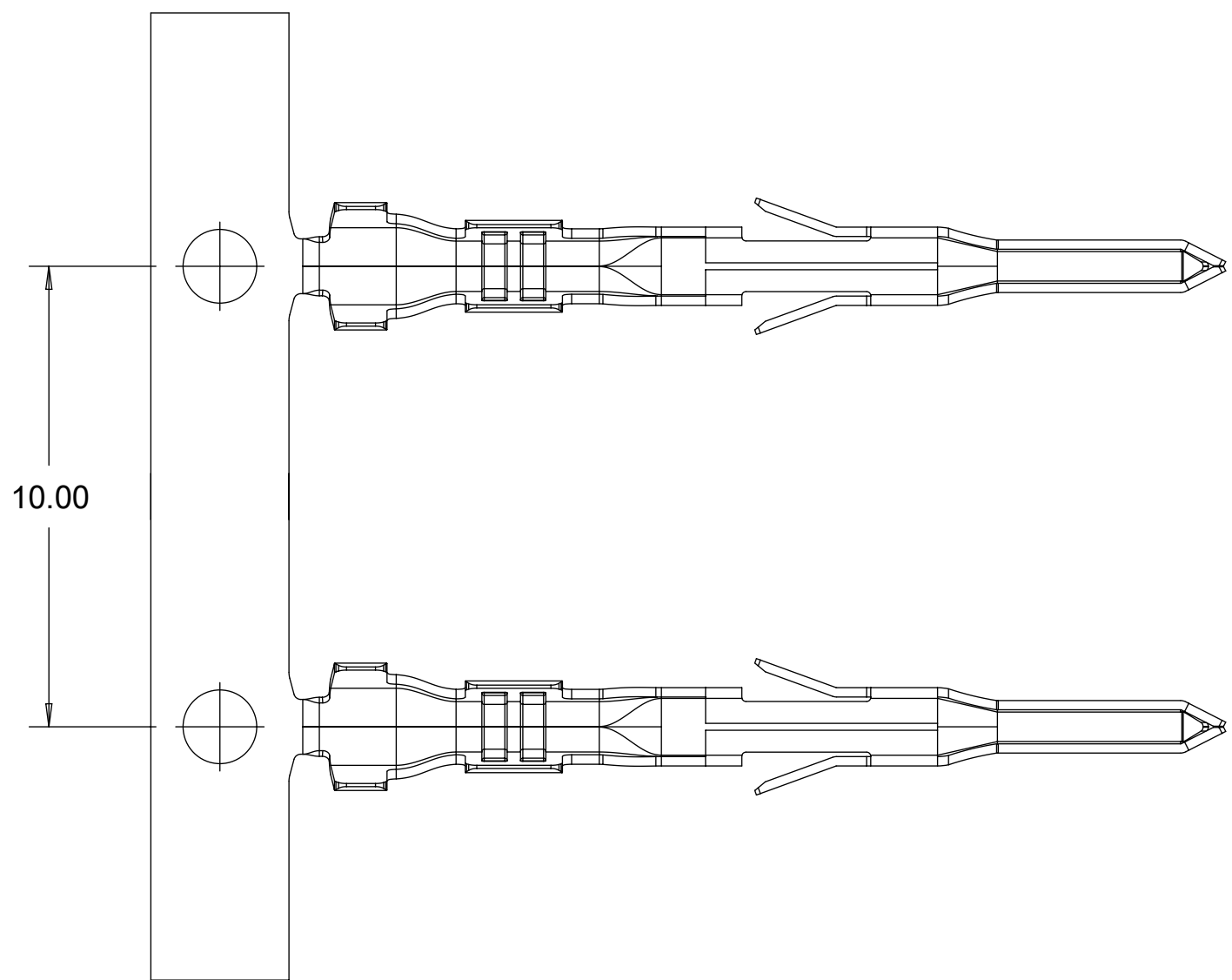
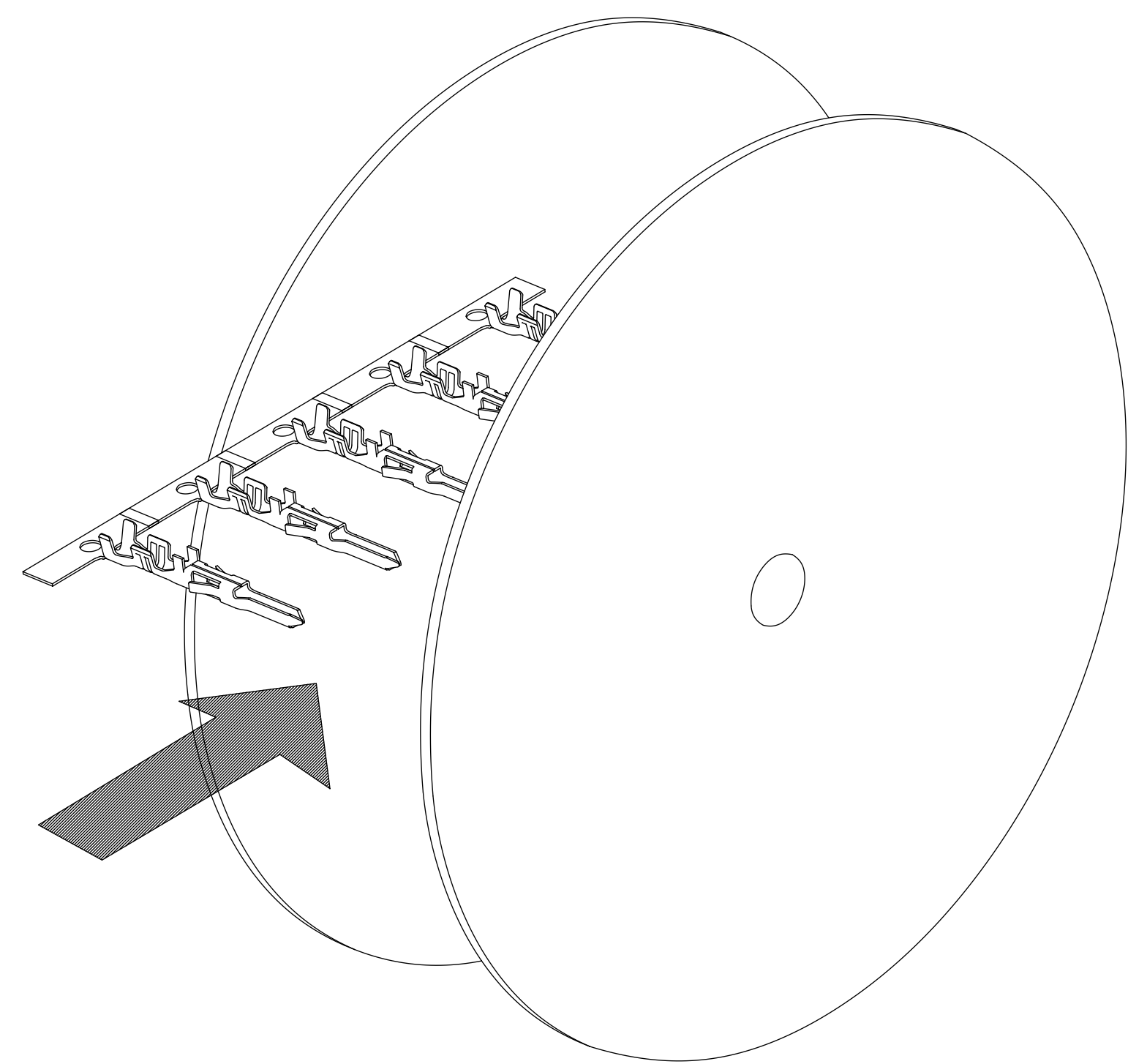


NOTES:

- MATERIAL:
BRASS ALLOY
- PRE-PLATED: HOT TIN DIP, OVERALL 2.5 m MIN
- PRODUCT SPECIFICATION: PS-172718-0000
APPLICATION SPECIFICATION: AS-172718-0000
- THIS TERMINAL TO BE USED WITH HOUSING SERIES 172762 AND 172767.
- THIS TERMINAL MATES WITH FEMALE CRIMP TERMINAL SERIES 5556 & 172718.
- PACKAGING: REELS TO BE PACKED PER PK-172765-0000
LOOSE TERMINALS PER PK-172765-0001
- PART CONFORMS TO CLASS 'B' REQUIREMENTS OF COSMETIC SPEC PS-45499-002.
- WHEN TERMINALS ARE INSTALLED IN THE HOUSING THE WIRE ARE TO BE DRESSED IN SUCH A MANNER TO ALLOW THE TERMINALS TO FLOAT FREELY IN THE HOUSING POCKET
- THIS TERMINALS IS DESIGNED FOR SINGLE WIRE CRIMPING.

| | | | | | | | | | | | | |
|---|--|------------------------|-----------------|----------|---|----------------|----------|--------------|--|--|--|------------|
| THIS DRAWING CONTAINS INFORMATION THAT IS PROPRIETARY TO MOLEX INCORPORATED AND SHOULD NOT BE USED WITHOUT WRITTEN PERMISSION | | | | | | | | | | | | |
| EC DESCRIPTION EC NO: 108191 DRWN: TGREGORI CHKD: REV / APPR: RHODGE | GENERAL TOLERANCES (UNLESS SPECIFIED) | | DIMENSION UNITS | SCALE | CRIMP TERMINAL PLUG MINI-FIT TPA2 PRODUCT CUSTOMER DRAWING | | | | | | | |
| | ANGULAR TOL ± ° | | MM | 10:1 | | | | | | | | |
| | 4 PLACES ± | DRWN BY | DATE | TGREGORI | | | | | | | | 2014/12/23 |
| | 3 PLACES ± | CHKD BY | DATE | | | | | | | | | |
| | 2 PLACES ± 0.10 | APPR BY | DATE | RHODGE | | | | | | | | 2014/02/26 |
| 1 PLACE ± 0.2 | DRAWING SIZE | THIRD ANGLE PROJECTION | C | 172765 | SEE TABLE SHEET 2 | GENERAL MARKET | | | | | | |
| 0 PLACES ± | DRAFT WHERE APPLICABLE MUST REMAIN WITHIN DIMENSIONS | | | | DOCUMENT NUMBER | DOC TYPE | DOC PART | SHEET NUMBER | | | | |
| D1 | | | | | SD-172765-0000 | PSD | 000 | 1 OF 2 | | | | |

| | MOLEX PART NUMBER | BASE MAT'L | WIRE AWG | WIRE OD RANGE | DIM B | DIM C | DIM D | DIM E | DIM F | DIM G | |
|-------|-------------------|------------|----------|---------------|-----------|-------|-------|-------|-------|-------|------|
| CHAIN | 172765-1121 | BRASS | 16 | 1.98-2.55 | 3.27 | 3.43 | 1.00 | 2.35 | 2.90 | 0.70 | |
| | 172765-2121 | | | 2.55-3.14 | 3.74 | 3.66 | 1.43 | | | | |
| | 172765-3121 | | 18-20 | 1.42-2.10 | 2.77 | 2.77 | 0.85 | 2.00 | 2.30 | 0.55 | |
| | 172765-4121 | | | 2.10-2.85 | 3.36 | 3.37 | 1.25 | | | | |
| | 172765-5121 | | 22-24 | 1.07-1.65 | 2.33 | 2.27 | 0.70 | 1.68 | 1.65 | 0.40 | |
| | 172765-6121 | | | 1.65-2.38 | 3.14 | 3.09 | 1.00 | | | | |
| LOOSE | 172765-1122 | | BRASS | 16 | 1.98-2.55 | 3.27 | 3.43 | 1.00 | 2.35 | 2.90 | 0.70 |
| | 172765-2122 | | | | 2.55-3.14 | 3.74 | 3.66 | 1.43 | | | |
| | 172765-3122 | | | 18-20 | 1.42-2.10 | 2.77 | 2.77 | 0.85 | 2.00 | 2.30 | 0.55 |
| | 172765-4122 | | | | 2.10-2.85 | 3.36 | 3.37 | 1.25 | | | |
| | 172765-5122 | | | 22-24 | 1.07-1.65 | 2.33 | 2.27 | 0.70 | 1.68 | 1.65 | 0.40 |
| | 172765-6122 | | | | 1.65-2.38 | 3.14 | 3.09 | 1.00 | | | |



| | | | | | | | | | | | |
|---|--|---------------------------------------|--------------|------------------------|----------------|--|----------------|--------------------------|----------|----------|--------------|
| THIS DRAWING CONTAINS INFORMATION THAT IS PROPRIETARY TO MOLEX INCORPORATED AND SHOULD NOT BE USED WITHOUT WRITTEN PERMISSION | | | | | | | | | | | |
| EC DESCRIPTION EC NO: 108191 DRWN: TGREGORI CHKD: RHODGE REV / APPR: | 2016/09/06 2016/09/26 | GENERAL TOLERANCES (UNLESS SPECIFIED) | | DIMENSION UNITS | SCALE | | | | | | |
| | | ANGULAR TOL ± ° | | MM | 7:1 | | | | | | |
| | | 4 PLACES ± | TGREGORI | DATE | 2014/12/23 | | | | | | |
| | | 3 PLACES ± | CHKD BY | DATE | | CRIMP TERMINAL PLUG MINI-FIT TPA2 | | | | | |
| | | 2 PLACES ± 0.10 | APPR BY | DATE | | | | | | | |
| | | 1 PLACE ± 0.2 | RHODGE | 2014/02/26 | | | | | | | |
| 0 PLACES ± | DRAFT WHERE APPLICABLE MUST REMAIN WITHIN DIMENSIONS | | DRAWING SIZE | THIRD ANGLE PROJECTION | SERIES | MATERIAL NUMBER | CUSTOMER | PRODUCT CUSTOMER DRAWING | | | |
| D1 | C | | C | | 172765 | SEE TABLE | GENERAL MARKET | DOCUMENT NUMBER | DOC TYPE | DOC PART | SHEET NUMBER |
| | | | | | SD-172765-0000 | | | PSD | 000 | | 2 OF 2 |