



Chipsmall Limited consists of a professional team with an average of over 10 year of expertise in the distribution of electronic components. Based in Hongkong, we have already established firm and mutual-benefit business relationships with customers from,Europe,America and south Asia,supplying obsolete and hard-to-find components to meet their specific needs.

With the principle of “Quality Parts,Customers Priority,Honest Operation,and Considerate Service”,our business mainly focus on the distribution of electronic components. Line cards we deal with include Microchip,ALPS,ROHM,Xilinx,Pulse,ON,Everlight and Freescale. Main products comprise IC,Modules,Potentiometer,IC Socket,Relay,Connector.Our parts cover such applications as commercial,industrial, and automotives areas.

We are looking forward to setting up business relationship with you and hope to provide you with the best service and solution. Let us make a better world for our industry!



## Contact us

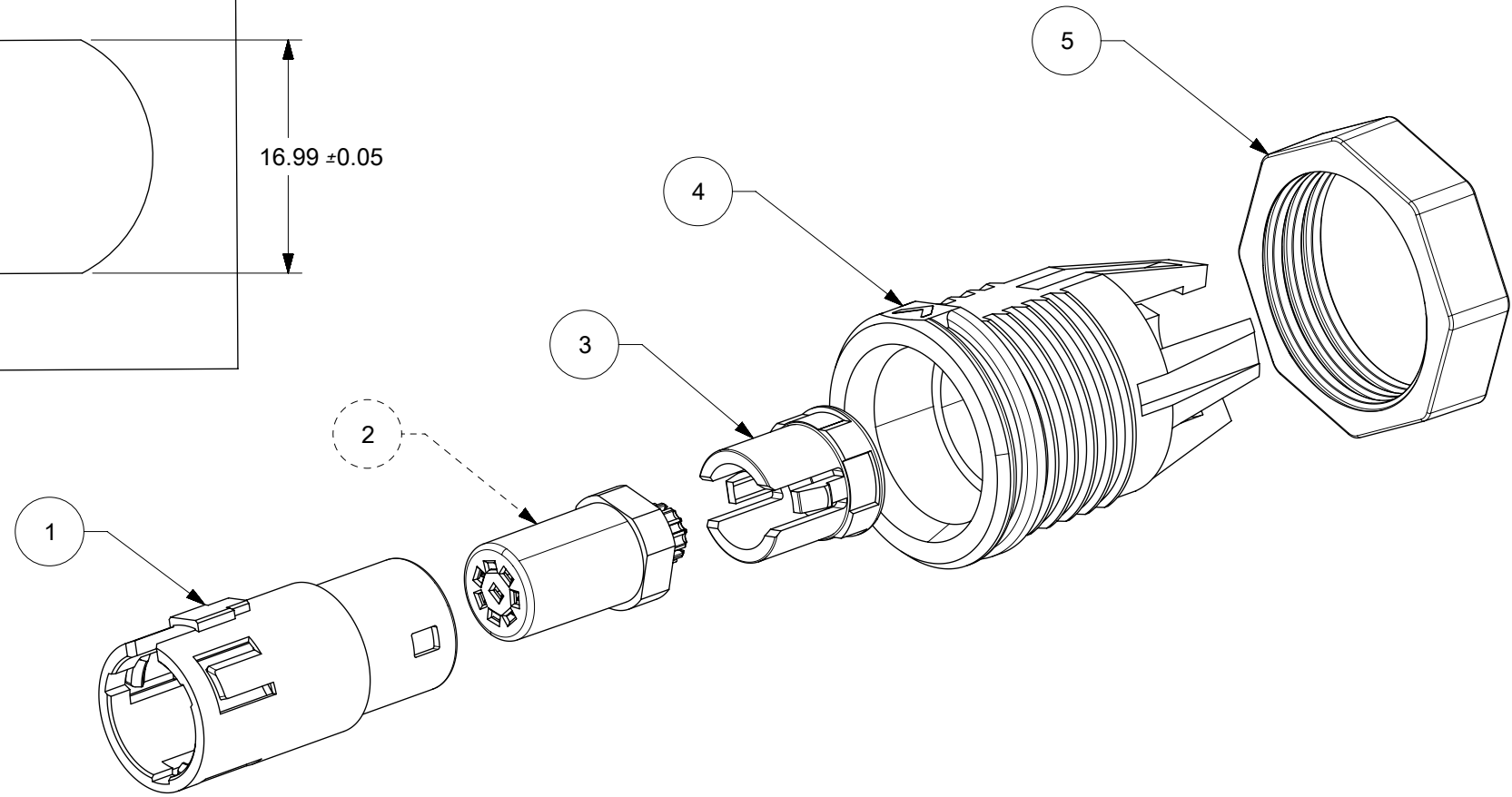
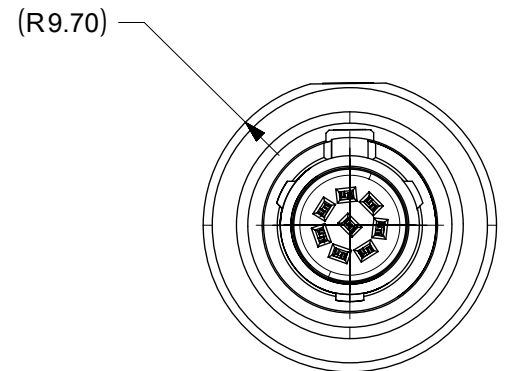
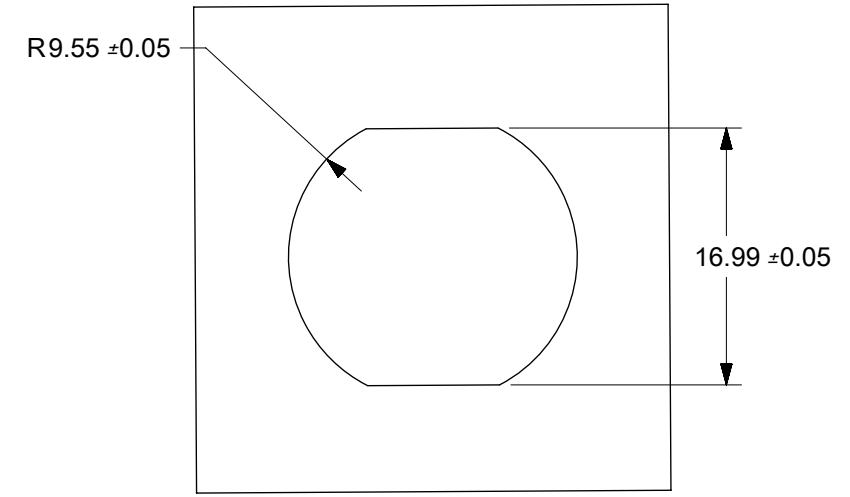
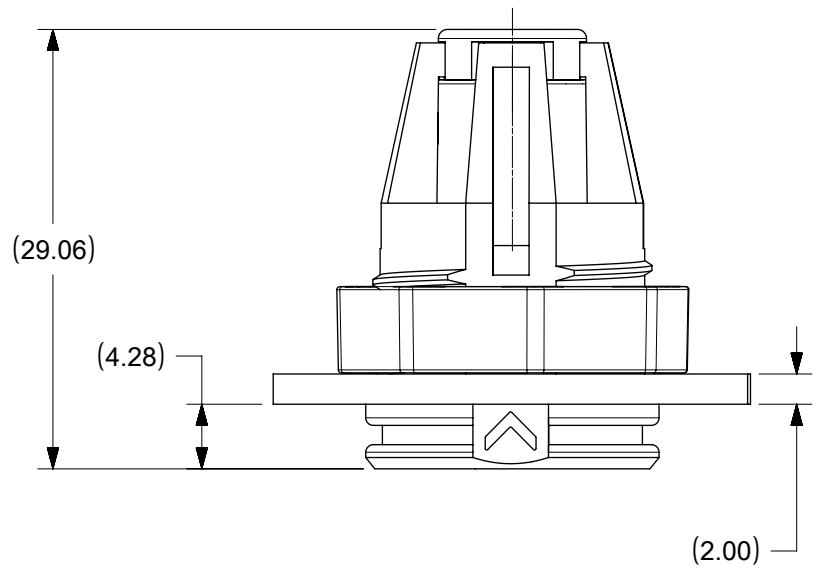
Tel: +86-755-8981 8866 Fax: +86-755-8427 6832

Email & Skype: info@chipsmall.com Web: www.chipsmall.com

Address: A1208, Overseas Decoration Building, #122 Zhenhua RD., Futian, Shenzhen, China



ITEM NUMBER	P/N	DESCRIPTION	QTY	SPQ
1	1728551301	MPC D1 FEMALE PANEL MOUNT HOUSING	1	10
2	1728542000	MPC D1 FEMALE RETAINER 8CKT	1	10
3	1728561000	MPC D1 FEMALE LOCK HOUSING	1	10
4	1728591101	MPC D1 PANEL SNAP HOUSING	1	10
5	1728591000	MPC D1 FEMALE PANEL NUT	1	10



NOTES:

1. KIT TO BE PACKAGED PER SPEC PK-70873-3345
2. MATERIAL, MEDICAL GRADE PPSU; COLOR, BLACK  
HIGH PERFORMANCE COPPER ALLOY WITHY GOLD PLATING IN MATING ZONE.
3. MATES WITH KIT P/N 172870-08\*0 OR 173250-08\*0.
4. FOR ASSEMBLY INFORMATION AND SPEC SEE APPLICATION SPEC AS-202110-0000.
5. FOR FURTHER PRODUCT INFORMATION SEE PRODUCT SPEC PS-202110-0000

THIS DRAWING CONTAINS INFORMATION THAT IS PROPRIETARY TO MOLEX ELECTRONIC TECHNOLOGIES, LLC AND SHOULD NOT BE USED WITHOUT WRITTEN PERMISSION

EC NO: 114244 DRWN: JJONIAK CHKD: APPR: BPISZCZOR	2017/03/07	GENERAL TOLERANCES (UNLESS SPECIFIED)	DIMENSION UNITS	SCALE									
	2017/03/14		MM	2:1									
			ANGULAR TOL ± °	DRWN BY		DATE							
			4 PLACES ±	JJONIAK		2017/03/07							
3 PLACES ±	CHK'D BY	DATE	MPC D1 FEMALE PANEL ASSY 8 CKT KIT										
2 PLACES ±	APPR BY	DATE											
1 PLACE ±	BPISZCZOR	2017/03/14											
0 PLACES ±	DRAFT WHERE APPLICABLE MUST REMAIN WITHIN DIMENSIONS	DRAWING SIZE	THIRD ANGLE PROJECTION	PRODUCT CUSTOMER DRAWING									
A	REV	B	B	<table border="1"> <tr> <td>SERIES</td> <td>MATERIAL NUMBER</td> <td>CUSTOMER</td> </tr> <tr> <td>172860</td> <td>1728600810</td> <td>GENERAL MARKET</td> </tr> </table>	SERIES	MATERIAL NUMBER	CUSTOMER	172860	1728600810	GENERAL MARKET			
SERIES	MATERIAL NUMBER	CUSTOMER											
172860	1728600810	GENERAL MARKET											
RELEASE STATUS	P1	RELEASE DATE	14.03.2017	16:40:56	<table border="1"> <tr> <td>DOCUMENT NUMBER</td> <td>DOC TYPE</td> <td>DOC PART</td> <td>SHEET NUMBER</td> </tr> <tr> <td>1728600810-SD</td> <td>PSD</td> <td>000</td> <td>1 OF 1</td> </tr> </table>	DOCUMENT NUMBER	DOC TYPE	DOC PART	SHEET NUMBER	1728600810-SD	PSD	000	1 OF 1
DOCUMENT NUMBER	DOC TYPE	DOC PART	SHEET NUMBER										
1728600810-SD	PSD	000	1 OF 1										