



Chipsmall Limited consists of a professional team with an average of over 10 year of expertise in the distribution of electronic components. Based in Hongkong, we have already established firm and mutual-benefit business relationships with customers from,Europe,America and south Asia,supplying obsolete and hard-to-find components to meet their specific needs.

With the principle of “Quality Parts,Customers Priority,Honest Operation,and Considerate Service”,our business mainly focus on the distribution of electronic components. Line cards we deal with include Microchip,ALPS,ROHM,Xilinx,Pulse,ON,Everlight and Freescale. Main products comprise IC,Modules,Potentiometer,IC Socket,Relay,Connector.Our parts cover such applications as commercial,industrial, and automotives areas.

We are looking forward to setting up business relationship with you and hope to provide you with the best service and solution. Let us make a better world for our industry!



Contact us

Tel: +86-755-8981 8866 Fax: +86-755-8427 6832

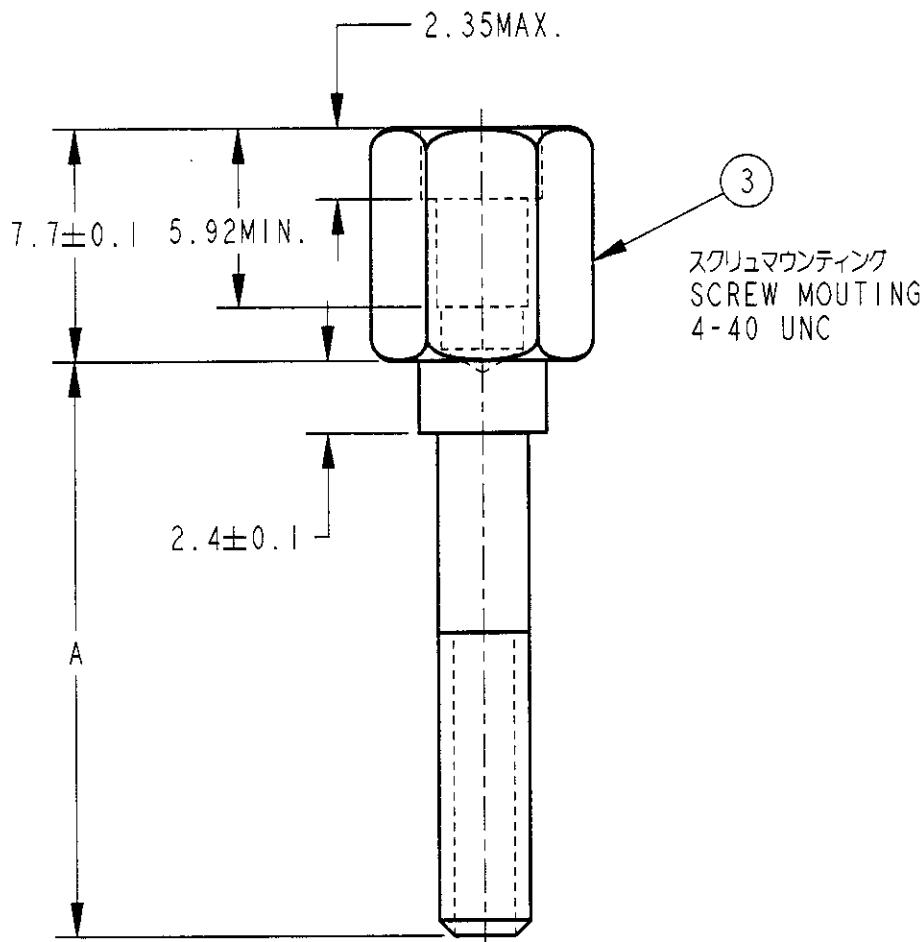
Email & Skype: info@chipsmall.com Web: www.chipsmall.com

Address: A1208, Overseas Decoration Building, #122 Zhenhua RD., Futian, Shenzhen, China



THIS DRAWING IS UNPUBLISHED. RELEASED FOR PUBLICATION, 1999.
 BY AMP INCORPORATED. ALL RIGHTS RESERVED.

LOC	DIST	REVISIONS					
		P	LTR	DESCRIPTION	DATE	DWN	APVD
J	-			REDRAW AND REVISED FJ00-1978-99	28 Feb 2000	C.O	X S
				C1 REVISED PER ECO-10-000444	08JAN10	KK	AEG
				C2 REVISED PER ECR-12-013664	26MAR2013	K.M	E.T



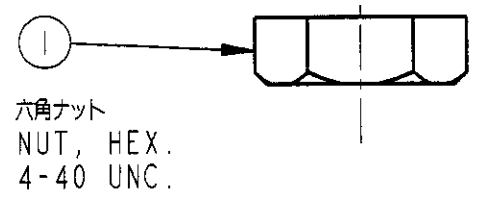
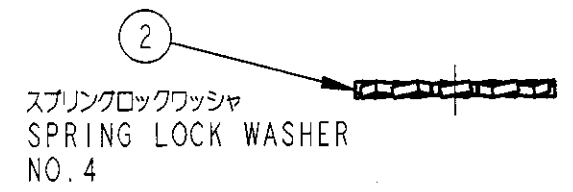
1. 本キットはケーブル対基板取付用の、基板取付用ネジキットであり、
 適用基板厚は1.57mm~3.18mmである。
 コネクタ間の取付はパン・ヘッド・スクリュー(P/N229996-3)を使用する。
2. すべての寸法は参考である。

1. THIS PRODUCT IS HARDWARE KIT FOR BOARD MOUNTING.
 BOARD THK:1.57mm~3.81mm
 PAN HEAD SCREW(P/N229996-3) IS LOCK SCREW OF CONNECTOR.
2. ALL DIMENSIONS IS REF.

3 OBSOLETE PARTS: OBSOLETE CIS STREAMLINING PER D.RENAUD/D.SINISI

3	C	16.1	172861-4
3	OBSOLETE	14.8	172861-3
	OBSOLETE	—	172861-2
C2	OBSOLETE	19.0	172861-1
	A	型番	PART NUMBER

2	—	—	—	172849-3	フロント基板取付用 スクリューマウンティング SCREW MOUNTING	スチール STEEL	光沢亜鉛めっき ZINC.PL.	3
—	2	—	—	172849-2	フロント基板取付用 スクリューマウンティング SCREW MOUNTING	スチール STEEL	光沢亜鉛めっき ZINC.PL.	3
—	—	—	2	172849-1	プリント基板取付用 スクリューマウンティング SCREW MOUNTING	スチール STEEL	光沢亜鉛めっき ZINC.PL.	3
2	2	—	2	23032-1	ロックワッシャー LOCK WASHER	ステンレススチール STAINLESS STEEL	不動態処理 PASSIVATED	2
2	2	—	2	21124-6	六角ナット NUT, HEX	ステンレススチール STAINLESS STEEL	不動態処理 PASSIVATED	1
172861-4	172861-3	172861-2	172861-1	型番 PART NUMBER	名称 NAME	材料 MATERIAL	仕上げ FINISH	アイテムNO. ITEM NO.



THIS DRAWING IS A CONTROLLED DOCUMENT FOR AMP INCORPORATED. IT IS SUBJECT TO CHANGE AND THE CONTROLLING ENGINEERING ORGANIZATION SHOULD BE CONTACTED FOR THE LATEST REVISION.

DWN: C. OHASHI 11 NOV 99
 CHK: 28 Feb 2000
 APVD: [Signature]

PRODUCT SPEC: -
 APPLICATION SPEC: -
 WEIGHT: -

TE Connectivity

NAME: KIT, HARDWARE, SCREW LOCK, VERTICAL MOUNTING (CHAMP)
 基板取付用ハードウェアキット(チャンプ)

SIZE: A3 CAGE CODE: 00779 DRAWING NO: C-172861

MATERIAL: 表参照 SEE TABLE FINISH: 表参照 SEE TABLE

CUSTOMER DRAWING SCALE: 4. SHEET: OF REV: C2