



Chipsmall Limited consists of a professional team with an average of over 10 year of expertise in the distribution of electronic components. Based in Hongkong, we have already established firm and mutual-benefit business relationships with customers from,Europe,America and south Asia,supplying obsolete and hard-to-find components to meet their specific needs.

With the principle of “Quality Parts,Customers Priority,Honest Operation,and Considerate Service”,our business mainly focus on the distribution of electronic components. Line cards we deal with include Microchip,ALPS,ROHM,Xilinx,Pulse,ON,Everlight and Freescale. Main products comprise IC,Modules,Potentiometer,IC Socket,Relay,Connector.Our parts cover such applications as commercial,industrial, and automotives areas.

We are looking forward to setting up business relationship with you and hope to provide you with the best service and solution. Let us make a better world for our industry!



Contact us

Tel: +86-755-8981 8866 Fax: +86-755-8427 6832

Email & Skype: info@chipsmall.com Web: www.chipsmall.com

Address: A1208, Overseas Decoration Building, #122 Zhenhua RD., Futian, Shenzhen, China

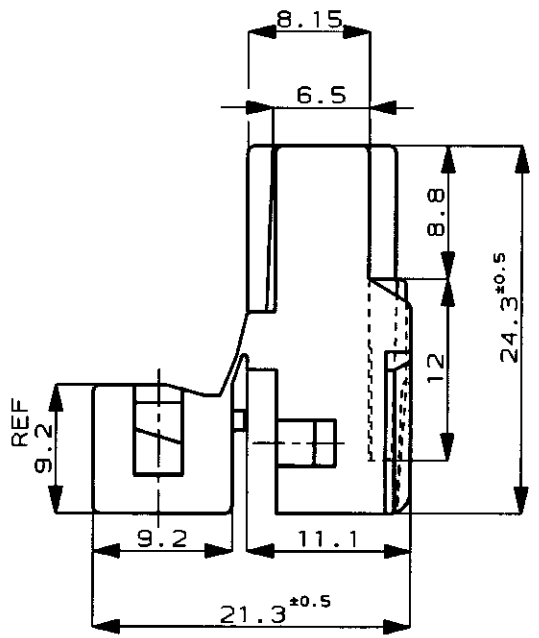
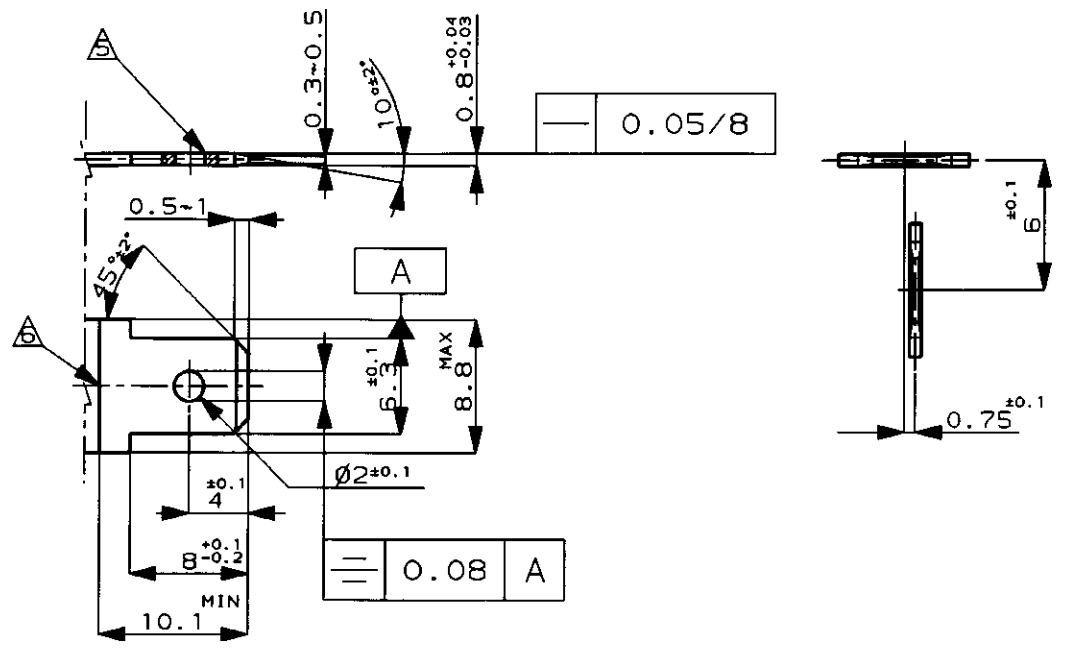
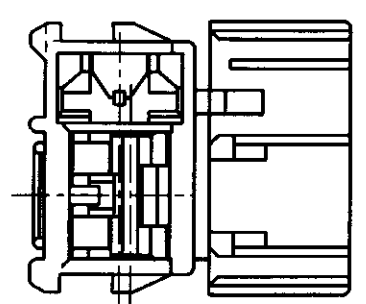
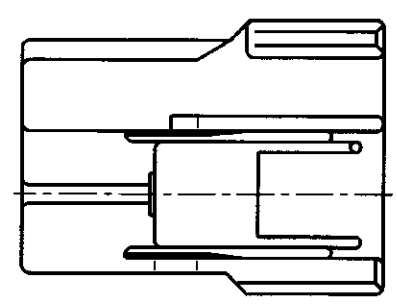
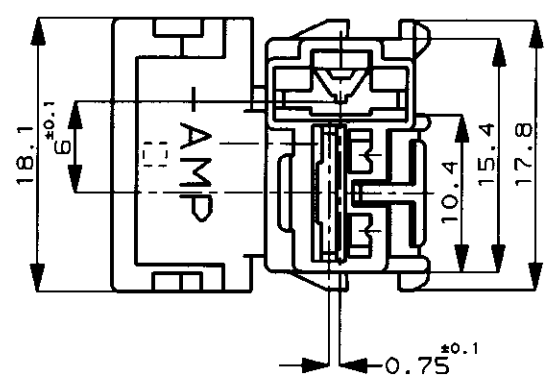


NUMBER C-172864

ANGLE PROJECTION 3rd ANGLE

METRIC

PRINT DIST 単位: mm DIMENSIONS IN MM. DO NOT SCALE PRINT



NOTES ;

- 1. PRODUCT SPEC No.108-5164
- 2. APPLICATION SPEC No.114-5060,114-5052
- 3. CUSTOMER MANUAL No ; CM-177J
- 4. APPLIED CONTACT P/N ; 170032,170452,170454,170456
- △ WORKMANSHIP OF THE TAB HOLE EDGES MUST BE SUCH THAT EDGES MUST BE FREE FROM THE BURRS, WITH THE SHEAR DROOP NOT EXCEEDING 0.1 MILLIMETER
- △ CLEARANCE LINE FOR TAB TO MATE WITH COUNTERPART HOUSING

注 ;

- 1. 製品規格番号: 108-5164
- 2. 取付適用規格番号 : 114-5060,114-5052
- 3. 取扱説明番号 : CM-177J
- 4. 適用コンタクト型番 : 170032,170452,170454,170456
- △ タブ穴加工の際バリがなく穴のだれは0.1を越えないこと
- △ この部分迄はハウジングが挿入されるための必要スペース

タブ寸法推奨図 RECOMMENDED MATING TAB DESIGN

(FINISH) PLAIN OR ELECTRO-TIN
 仕上: メッキナシ又ハ錫メッキ
 (MATERIAL) 70/30 BRASS, 0.8MM THK
 材料: 7/3黄銅0.8t JIS-3100C-2600P-1/2H

66 NYLON 66ナイロン	BLACK 黒	172864-2
66 NYLON 66ナイロン	WHITE 白	172864-1
材料 (MATERIAL)	色 (COLOR)	型番 (P/N)

Copyright ©1992 年 AMP (Japan) . LTD. ALL RIGHTS RESERVED.				AMP 日本エー・エム・ピー株式会社 Tokyo, Japan	
名称 (NAME) 250 SERIES AUTOMOTIVE POSITIVE DBL LOCK 2Pos. COMBINATION HOUSING (T-TYPE) 250 シリーズ自動車 ポジティブダブルロック 2極 コンビネーションハウジング (T字型)		一般公差 (GENERAL TOLERANCE) 10以下: ±0.2 10を超え30以下: ±0.25 30を超え100以下: ±0.3 角 度: ±3°			
材料 (MATERIAL) SEE TABLE 仕上 (FINISH) COLOR; SEE TABLE 色; 表参照		LOC 番号 (No.) B J		REV. D	
LTR 変更 (REVISION RECORD) DR CHK DATE		尺 度 (SCALE) 2-1		SHEET 1 OF 1	