



Chipsmall Limited consists of a professional team with an average of over 10 year of expertise in the distribution of electronic components. Based in Hongkong, we have already established firm and mutual-benefit business relationships with customers from,Europe,America and south Asia,supplying obsolete and hard-to-find components to meet their specific needs.

With the principle of “Quality Parts,Customers Priority,Honest Operation,and Considerate Service”,our business mainly focus on the distribution of electronic components. Line cards we deal with include Microchip,ALPS,ROHM,Xilinx,Pulse,ON,Everlight and Freescale. Main products comprise IC,Modules,Potentiometer,IC Socket,Relay,Connector.Our parts cover such applications as commercial,industrial, and automotives areas.

We are looking forward to setting up business relationship with you and hope to provide you with the best service and solution. Let us make a better world for our industry!



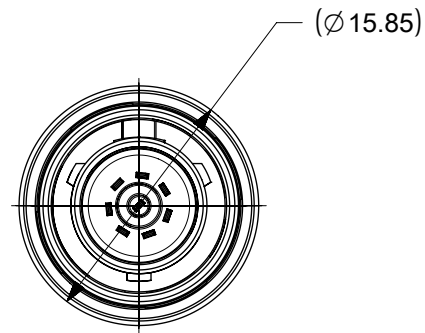
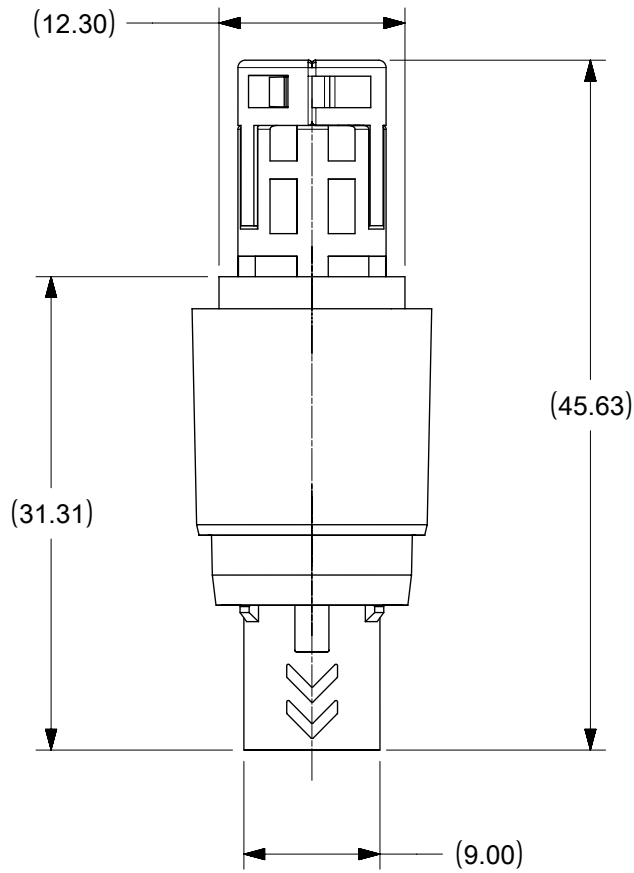
Contact us

Tel: +86-755-8981 8866 Fax: +86-755-8427 6832

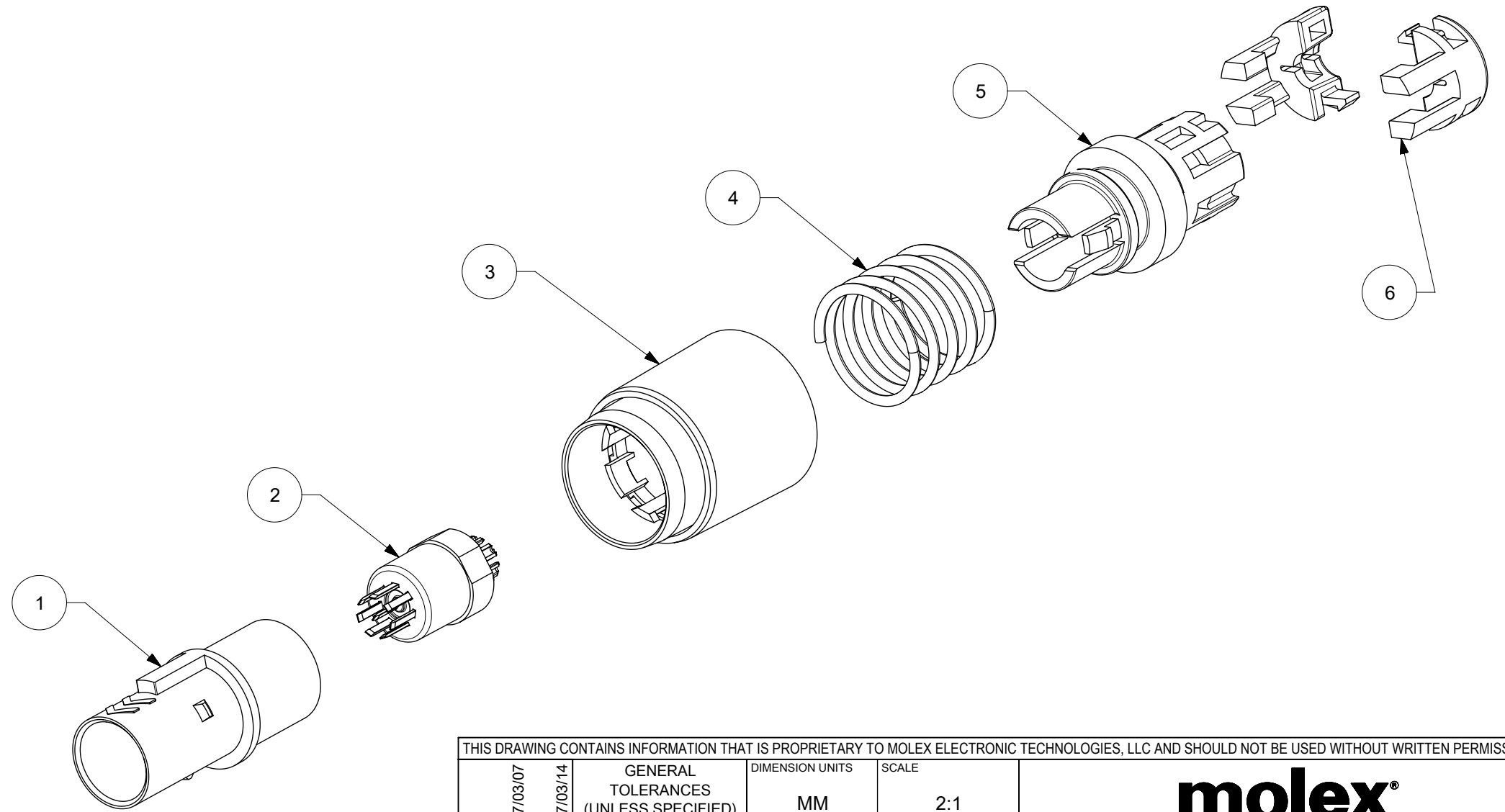
Email & Skype: info@chipsmall.com Web: www.chipsmall.com

Address: A1208, Overseas Decoration Building, #122 Zhenhua RD., Futian, Shenzhen, China





ITEM NUMBER	P/N	DESCRIPTION	QTY	SPQ
1	1728651001	MPC D1 MALE HOUSING	1	10
2	1728642000	MPC D1 MALE 8 CIRCUIT RETAINER ASSEMBLY	1	10
3	1728682000	MPC D1 MALE LOCK SLEEVE ASSEMBLY	1	10
4	1728621000	MPC D1 MALE LOCK SPRING	1	10
5	1728661000	MPC D1 MALE LOCK HOUSING	1	10
6	1728611000	MPC D1 STRAIN RELIEF	2	20



NOTES:

1. KIT TO BE PACKAGED PER SPEC PK-70873-3345
2. MATERIAL, MEDICAL GRADE PPSU; COLOR, BLACK
3. MATES WITH KIT P/N 172860-08*0, 203020-08*0, 202405-08*0
4. FOR OVERMOLDING DIMENSIONS AND SPEC SEE APPLICATION SPEC AS-202110-0000.
5. FOR FURTHER INFORMATION SEE PRODUCT SPEC PS-202110-0000

THIS DRAWING CONTAINS INFORMATION THAT IS PROPRIETARY TO MOLEX ELECTRONIC TECHNOLOGIES, LLC AND SHOULD NOT BE USED WITHOUT WRITTEN PERMISSION

EC NO: 114244 DRWN: JJONIAK CHKD: APPR: BPISZCZOR	2017/03/07	GENERAL TOLERANCES (UNLESS SPECIFIED)	DIMENSION UNITS	SCALE	molex MPC D1 STD MALE 8CKT ASSY KIT			
	2017/03/14		MM	2:1				
			ANGULAR TOL ± °	DRWN BY		DATE		
			4 PLACES ±	JJONIAK		2017/03/07		
		3 PLACES ±	CHK'D BY	DATE	PRODUCT CUSTOMER DRAWING			
		2 PLACES ±	APPR BY	DATE				
		1 PLACE ±	BPISZCZOR	2017/03/14				
		0 PLACES ±	DRAWING SIZE	THIRD ANGLE PROJECTION				
		DRAFT WHERE APPLICABLE MUST REMAIN WITHIN DIMENSIONS	B		SERIES	MATERIAL NUMBER	CUSTOMER	
					172870	1728700810	GENERAL MARKET	
					DOCUMENT NUMBER	DOC TYPE	DOC PART	SHEET NUMBER
					1728700810-SD	PSD	000	1 OF 1