



Chipsmall Limited consists of a professional team with an average of over 10 year of expertise in the distribution of electronic components. Based in Hongkong, we have already established firm and mutual-benefit business relationships with customers from,Europe,America and south Asia,supplying obsolete and hard-to-find components to meet their specific needs.

With the principle of “Quality Parts,Customers Priority,Honest Operation,and Considerate Service”,our business mainly focus on the distribution of electronic components. Line cards we deal with include Microchip,ALPS,ROHM,Xilinx,Pulse,ON,Everlight and Freescale. Main products comprise IC,Modules,Potentiometer,IC Socket,Relay,Connector.Our parts cover such applications as commercial,industrial, and automotives areas.

We are looking forward to setting up business relationship with you and hope to provide you with the best service and solution. Let us make a better world for our industry!



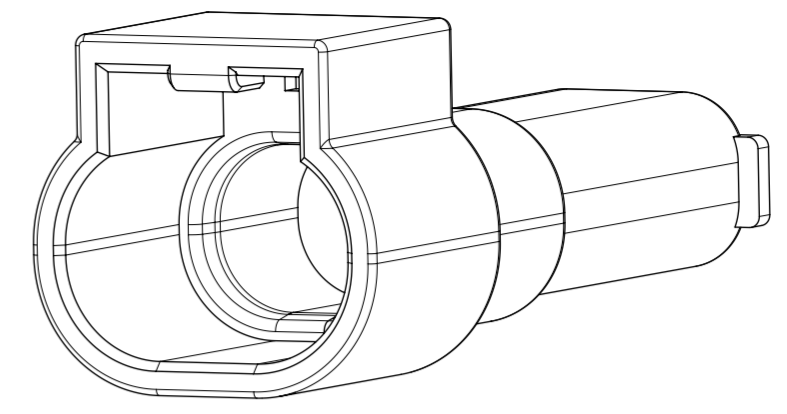
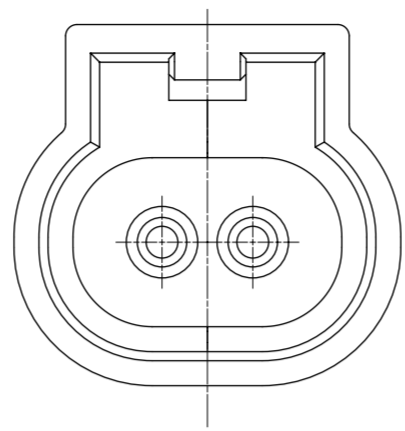
Contact us

Tel: +86-755-8981 8866 Fax: +86-755-8427 6832

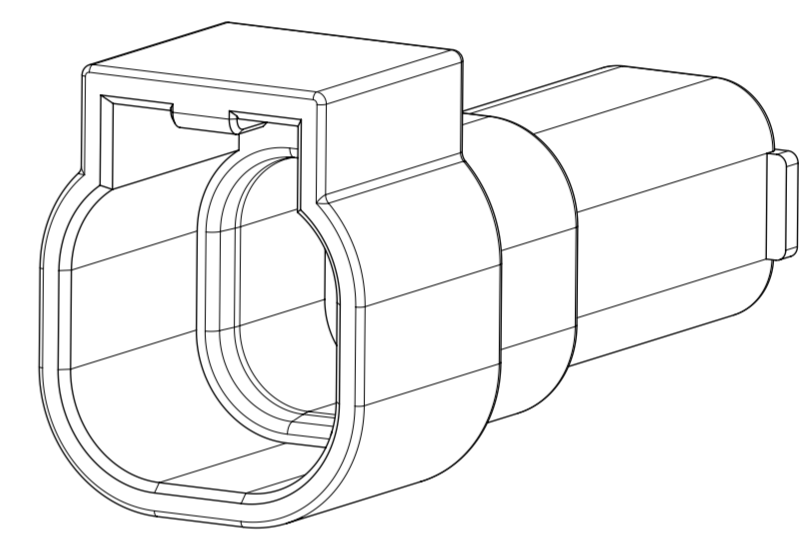
Email & Skype: info@chipsmall.com Web: www.chipsmall.com

Address: A1208, Overseas Decoration Building, #122 Zhenhua RD., Futian, Shenzhen, China

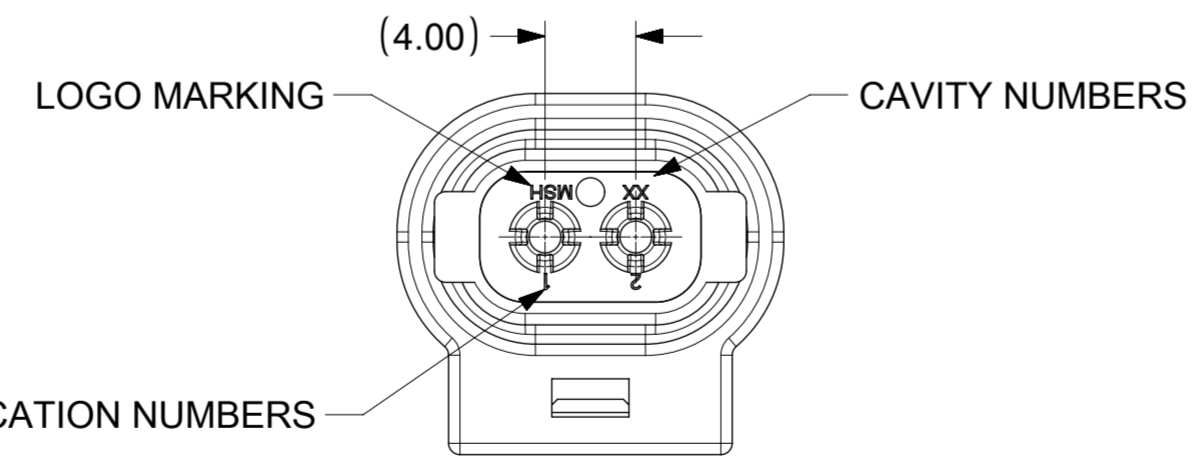
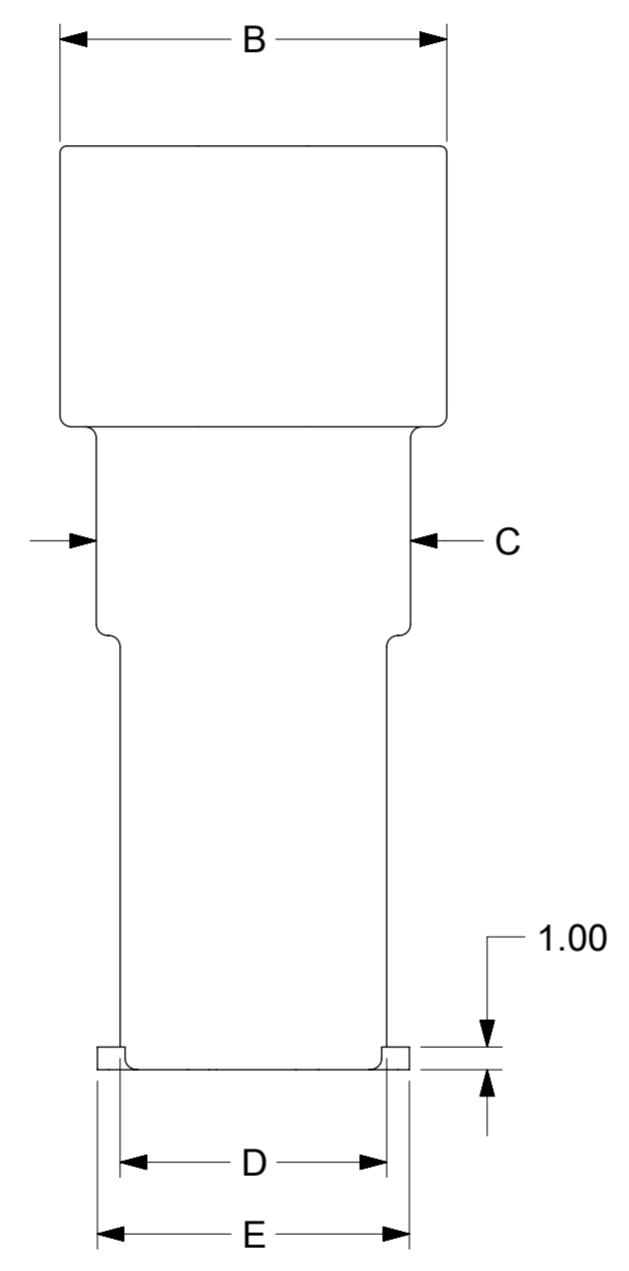
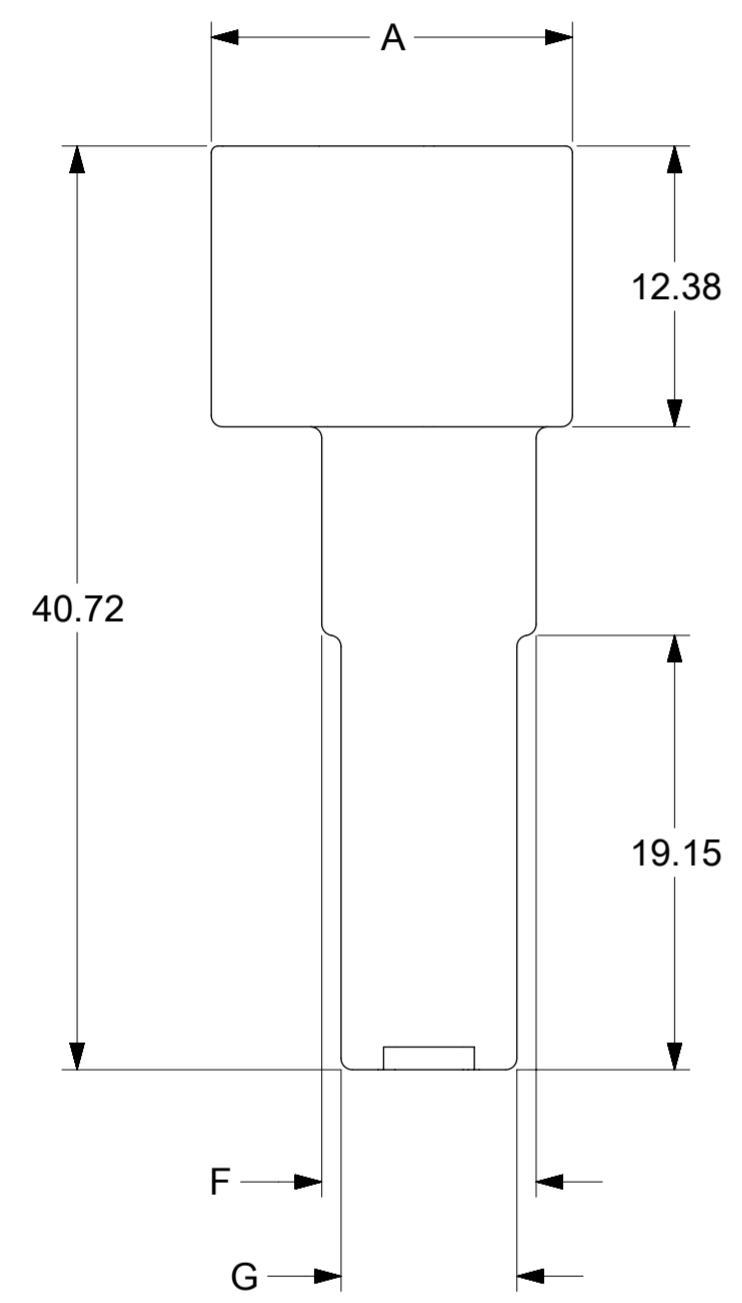




ISOMETRIC VIEW
CIRCUIT 1X2



ISOMETRIC VIEW
CIRCUIT 2X2



- NOTES:
1. HOUSING MATERIAL PP UL94 V-0, COLOR:NATURAL
 2. SEALING MATERIAL: TPE, COLOR:BLACK
 3. MATES WITH RECEPTACLE HOUSING SERIES 172878
 4. HOUSING DESIGNED TO BE USED WITH TERMINAL SERIES 173041
 5. COSMETIC SPECIFICATION PS-45499-002 CLASS 'C'
 6. PRODUCT SPECIFICATION: 1728770001-PS
 7. PACKAGING SPECIFICATION: PK-172877-0001
 8. CAVITY NUMBERS IDENTIFIED ON HOUSING (ON SEAL SURFACE)
 9. VOID PLUG TO BE USED WITH PLUG HOUSING SERIES 173061

PART NUMBER LIST

PART NUMBER	CIRCUIT SIZE	DIM A	DIM B	DIM C	DIM D	DIM E	DIM F	DIM G
172877-0002	1X2	15.92	17.05	13.85	11.75	12.75	9.45	7.75
172877-0040	2X2	19.92	16.65	13.45	10.75	12.75	13.45	10.75

THIS DRAWING CONTAINS INFORMATION THAT IS PROPRIETARY TO MOLEX ELECTRONIC TECHNOLOGIES, LLC AND SHOULD NOT BE USED WITHOUT WRITTEN PERMISSION									
REVISED-RSD TO SD EC NO: 167615 DRWN: MBELLE CHKD: MBELLE REV APPR: ISHWARG	2017/11/03	DRWN BY	DATE	GENERAL TOLERANCES (UNLESS SPECIFIED)	DIMENSION UNITS	SCALE			
	2017/11/03	DATE	2015/02/23		mm	3:1			
	2017/11/04	CHK'D BY	DATE	ANGULAR TOL ± 0.5 °	SS06	2015/02/23	PLUG HOUSING WITH INTEGRATED SEAL VALUSEAL		
	2017/11/04	DATE	2015/12/08	4 PLACES ±	SS06	2015/12/08			
	2015/04/06	APPR BY	DATE	2 PLACES ± 0.25	RHODGE	2015/04/06	PRODUCT CUSTOMER DRAWING		
2015/04/06	DATE	2015/04/06	1 PLACE ± 0.36	DRAWING SIZE	THIRD ANGLE PROJECTION	SERIES	MATERIAL NUMBER	CUSTOMER	
G4	REV	A2	0 PLACES ±	A2	THIRD ANGLE PROJECTION	172877	SEE TABLE	GENERAL MARKET	
DRAFT WHERE APPLICABLE MUST REMAIN WITHIN DIMENSIONS						DOCUMENT NUMBER	DOC TYPE	DOC PART	SHEET NUMBER
						SD-172877-0001	PSD	000	1 OF 1