



Chipsmall Limited consists of a professional team with an average of over 10 year of expertise in the distribution of electronic components. Based in Hongkong, we have already established firm and mutual-benefit business relationships with customers from,Europe,America and south Asia,supplying obsolete and hard-to-find components to meet their specific needs.

With the principle of “Quality Parts,Customers Priority,Honest Operation,and Considerate Service”,our business mainly focus on the distribution of electronic components. Line cards we deal with include Microchip,ALPS,ROHM,Xilinx,Pulse,ON,Everlight and Freescale. Main products comprise IC,Modules,Potentiometer,IC Socket,Relay,Connector.Our parts cover such applications as commercial,industrial, and automotives areas.

We are looking forward to setting up business relationship with you and hope to provide you with the best service and solution. Let us make a better world for our industry!



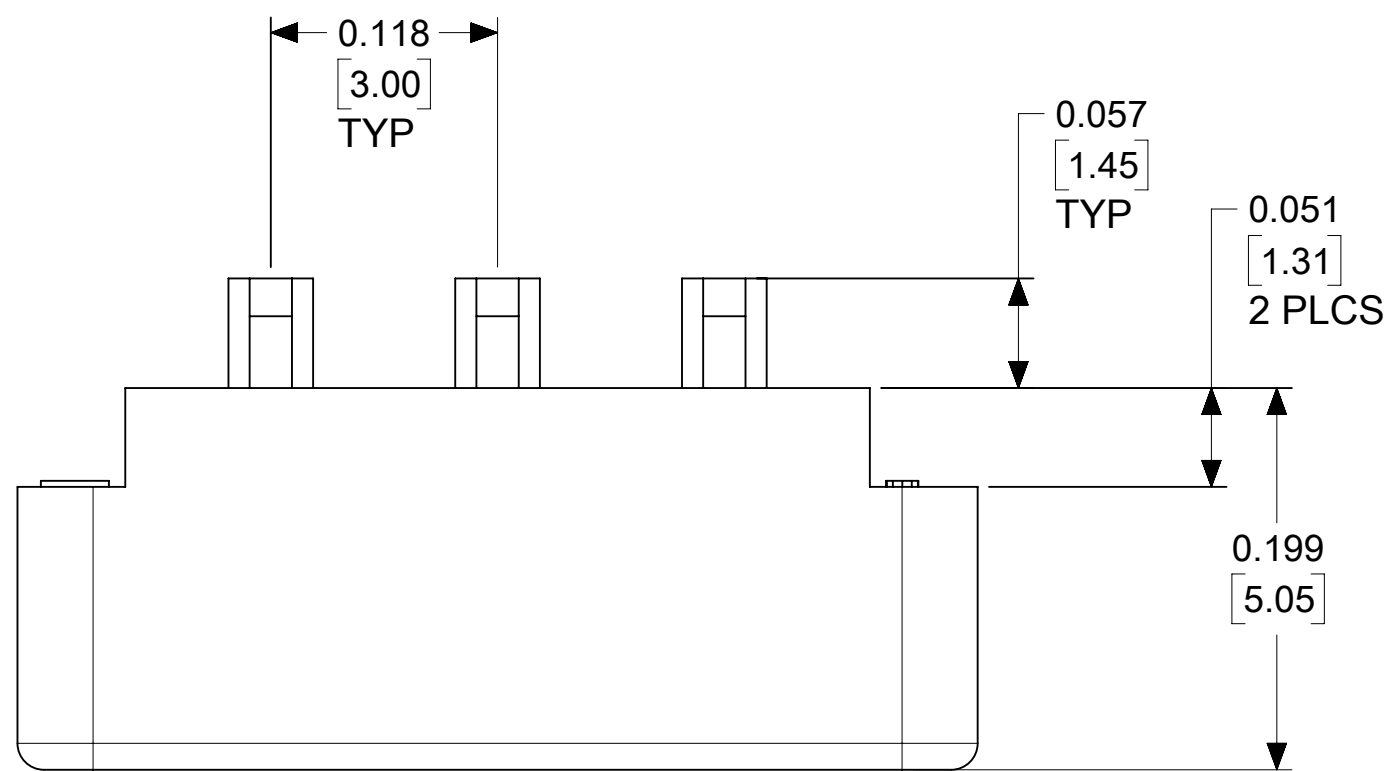
Contact us

Tel: +86-755-8981 8866 Fax: +86-755-8427 6832

Email & Skype: info@chipsmall.com Web: www.chipsmall.com

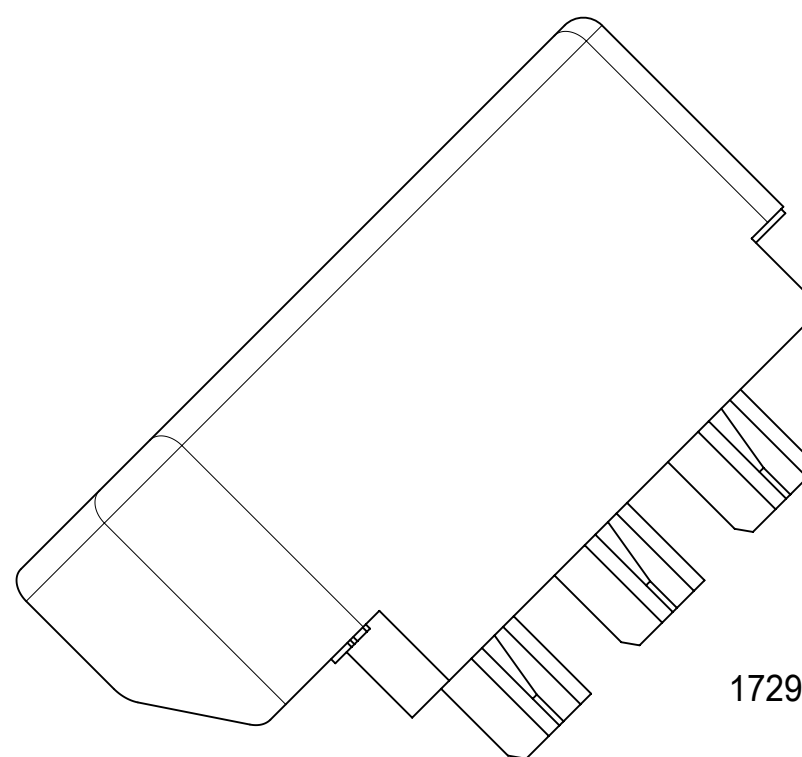
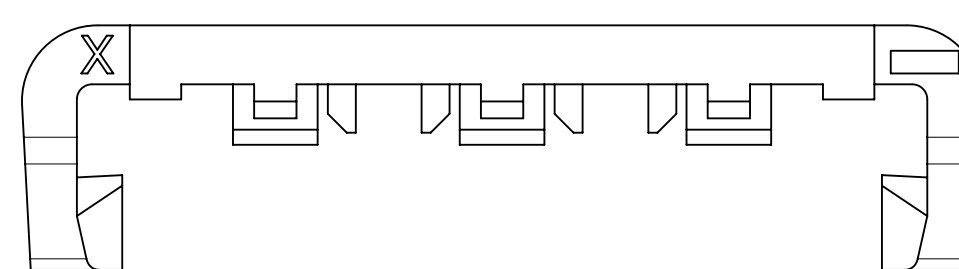
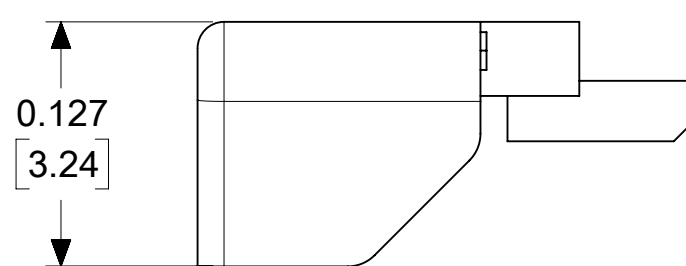
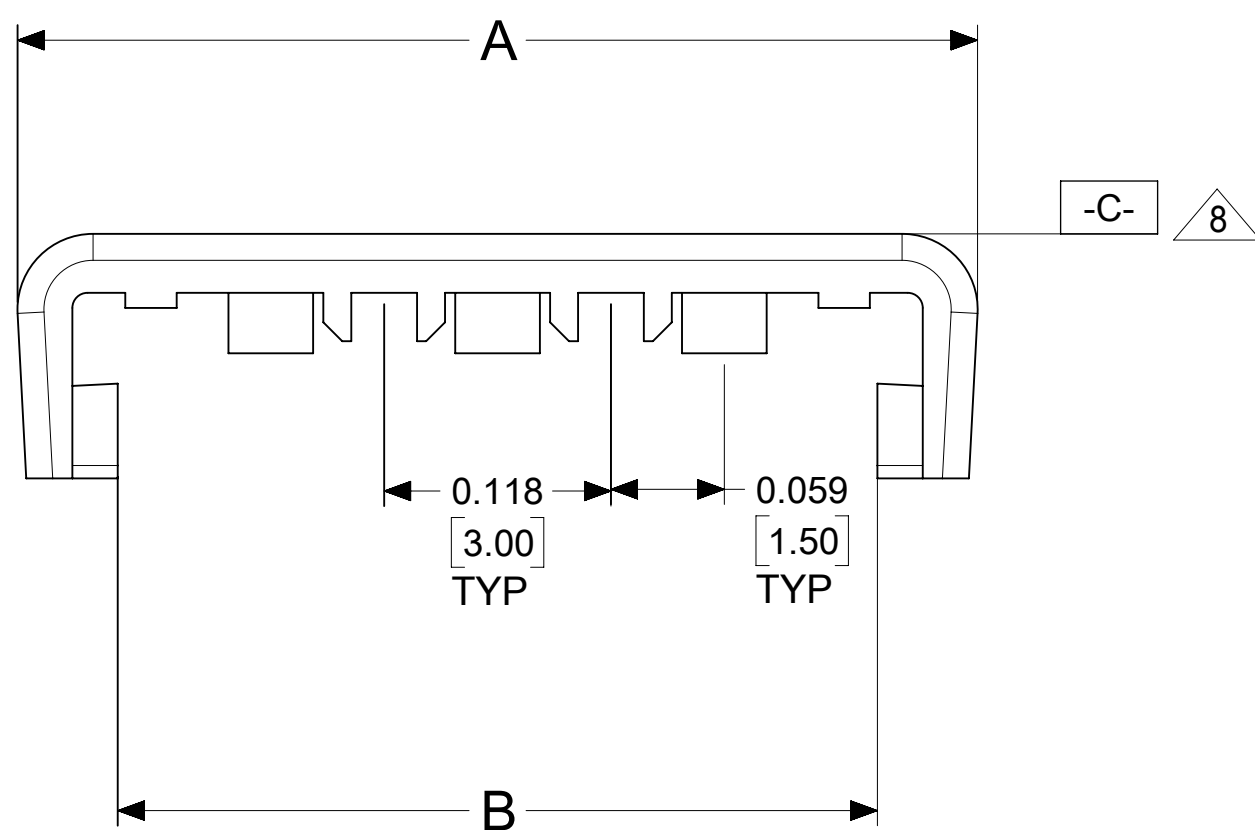
Address: A1208, Overseas Decoration Building, #122 Zhenhua RD., Futian, Shenzhen, China



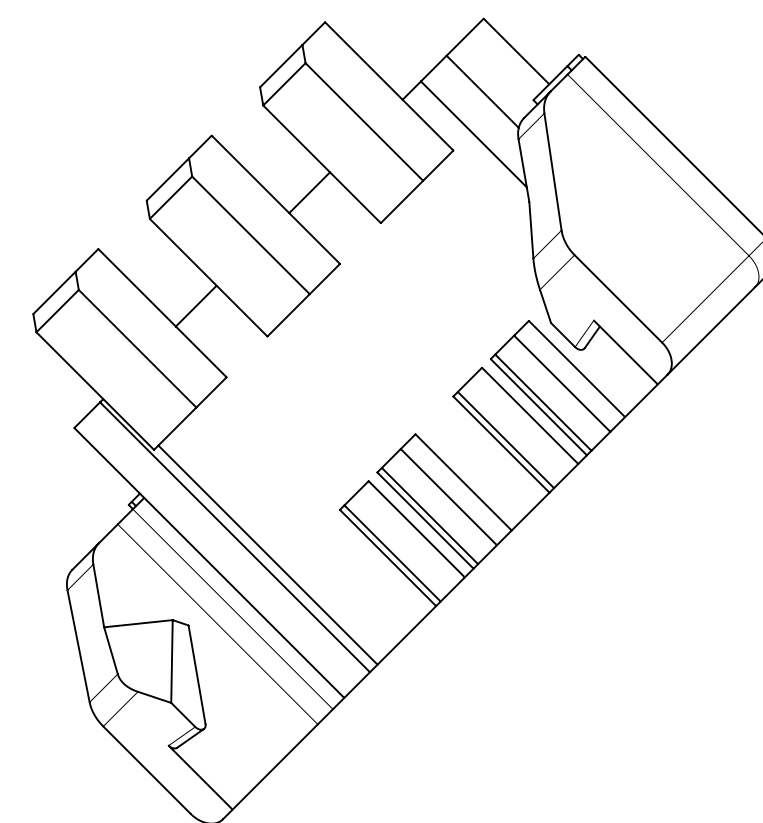


NOTES:

- 1) MATERIAL:
UNFILLED NYLON, RATED UL94V-0 LOW HALOGEN, COLOR: NATURAL
- 2) FINISH: NONE
- 3) PRODUCT SPECIFICATION: PS-43045
- 4) PACKAGING SPECIFICATION: BULK PER 1729530001-PK
- 5) FOR USE WITH: 172952-XX01 RECEPTACLE HOUSINGS. NEVER USE WITHOUT TPA.
- 6) THIS PART CONFORMS TO CLASS B REQUIREMENTS OF COSMETIC SPEC PS-45499-002
- 7) TEXT ON PART IS FOR REFERENCE ONLY. TEXT AND TEXT LOCATION MAY VARY DEPENDING ON PART NUMBER AND/OR TOOL.
- 8 BOW .015 / 0.38 MAX PER 1.00 / 25.4 ON SURFACE C
- 9 CIRCUIT SIZE INDICATES THE SIZE OF THE MATCHING DUAL-ROW HOUSING.
TWO TPA STRAPS ARE REQUIRED FOR EACH HOUSING.
- 10) SEE SD-172952-001 (RECEPTACLE) OR 2036320000-SD (PLUG) FOR INSTALLATION INSTRUCTIONS.



172953-06* SHOWN



24	172953-2401	1.563 / 39.70	1.459 / 37.05
22	172953-2201	1.445 / 36.70	1.341 / 34.05
20	172953-2001	1.327 / 33.70	1.222 / 31.05
18	172953-1801	1.209 / 30.70	1.104 / 28.05
16	172953-1601	1.091 / 27.70	.986 / 25.05
14	172953-1401	.973 / 24.70	.868 / 22.05
12	172953-1201	.854 / 21.70	.750 / 19.05
10	172953-1001	.736 / 18.70	.632 / 16.05
8	172953-0801	.618 / 15.70	.514 / 13.05
6	172953-0601	.500 / 12.70	.396 / 10.05
4	172953-0401	.382 / 9.70	.278 / 7.05

CKT SZ.	9	PART NUMBER	DIM ±.020 A ±0.51	DIM ±.015 B ±0.38
RELEASE STATUS	P1	RELEASE DATE	28.06.2017	21:50:01

QUALITY SYMBOLS	THIS DRAWING CONTAINS INFORMATION THAT IS PROPRIETARY TO MOLEX ELECTRONIC TECHNOLOGIES, LLC AND SHOULD NOT BE USED WITHOUT WRITTEN PERMISSION				
▽ = 0	EC NO: 106482 DRWN: CSLAFTER CHKD: SSOUSEK REV APPR: FSMITH 2017/05/01 2017/06/09 2017/06/28 MIGRATE TO NX	GENERAL TOLERANCES (UNLESS SPECIFIED)		DIMENSION UNITS	
▽ = 0		MM	INCH	SCALE	
▽ = 0		4 PLACES ±	±	IN/MM	10:1
▽ = 0		3 PLACES ±	± 0.01	DRWN BY	DATE
▽ = 0		2 PLACES ± 0.25	± 0.015	BANDERSON	2015/01/13
▽ = 0		1 PLACES ± 0.38	±	CHK'D BY	DATE
▽ = 0		0 PLACES ±	±	SSOUSEK	2015/01/13
▽ = 0		ANGULAR TOL = 0.5		APPR BY	DATE
▽ = 0		DRAFT WHERE APPLICABLE MUST REMAIN WITHIN DIMENSIONS		BPISZCZOR	2016/03/24
▽ = 0		DRAWING SIZE		THIRD ANGLE PROJECTION	
▽ = 0	C				

molex®		
MICRO-FIT DUAL ROW TPA STRAP FOR RECEPTACLE AND PLUG HOUSINGS		
PRODUCT CUSTOMER DRAWING		
SERIES	MATERIAL NUMBER	CUSTOMER
172953	SEE CHART	GENERAL MARKET
DOCUMENT NUMBER	DOC TYPE	DOC PART SHEET NUMBER
SD-172953-001	PSD	001 1 OF 2