



Chipsmall Limited consists of a professional team with an average of over 10 year of expertise in the distribution of electronic components. Based in Hongkong, we have already established firm and mutual-benefit business relationships with customers from,Europe,America and south Asia,supplying obsolete and hard-to-find components to meet their specific needs.

With the principle of "Quality Parts,Customers Priority,Honest Operation,and Considerate Service",our business mainly focus on the distribution of electronic components. Line cards we deal with include Microchip,ALPS,ROHM,Xilinx,Pulse,ON,Everlight and Freescale. Main products comprise IC,Modules,Potentiometer,IC Socket,Relay,Connector.Our parts cover such applications as commercial,industrial, and automotives areas.

We are looking forward to setting up business relationship with you and hope to provide you with the best service and solution. Let us make a better world for our industry!



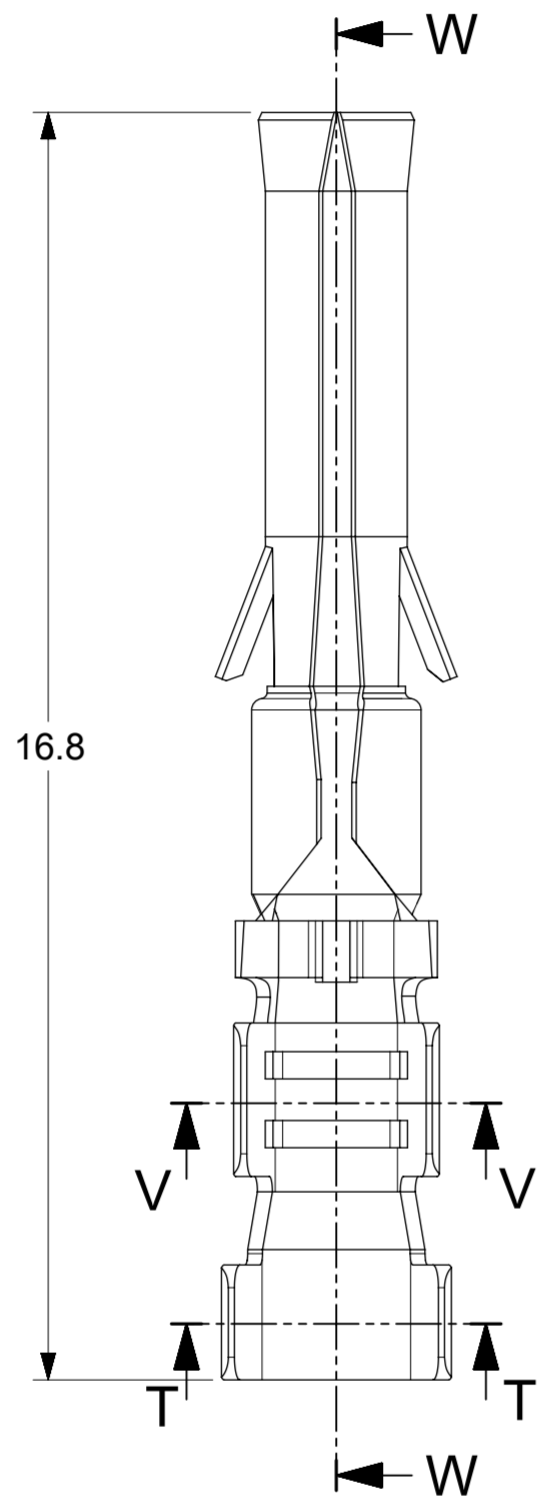
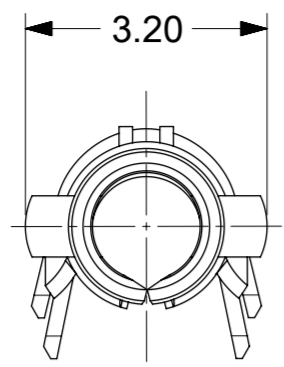
Contact us

Tel: +86-755-8981 8866 Fax: +86-755-8427 6832

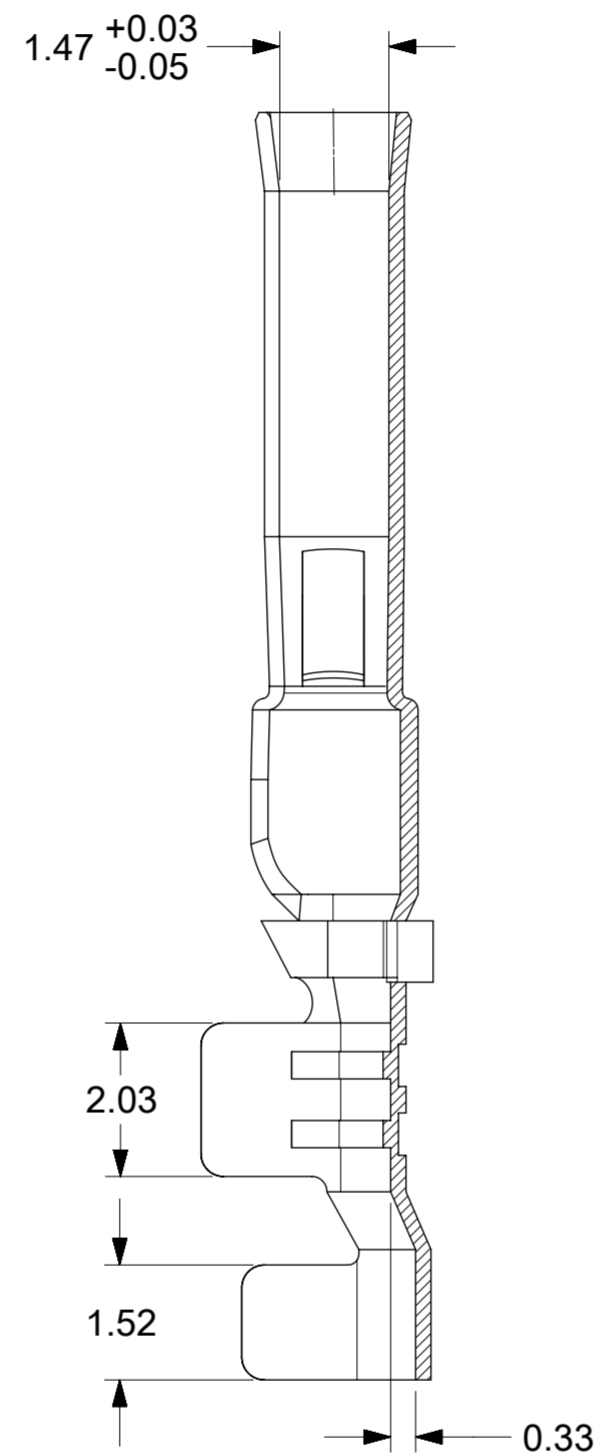
Email & Skype: info@chipsmall.com Web: www.chipsmall.com

Address: A1208, Overseas Decoration Building, #122 Zhenhua RD., Futian, Shenzhen, China

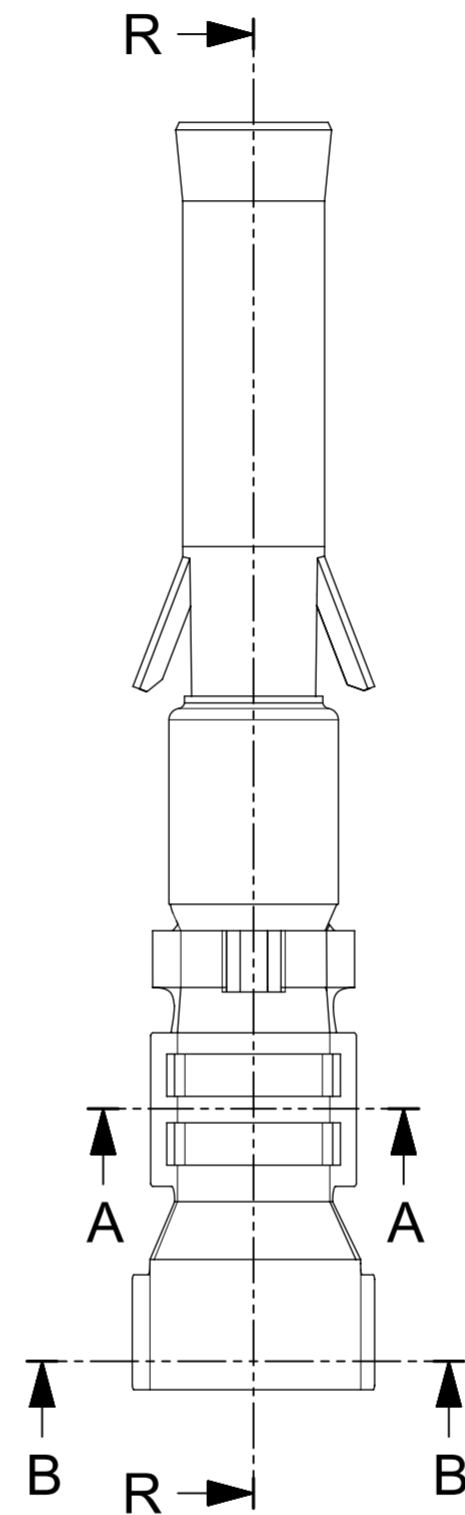




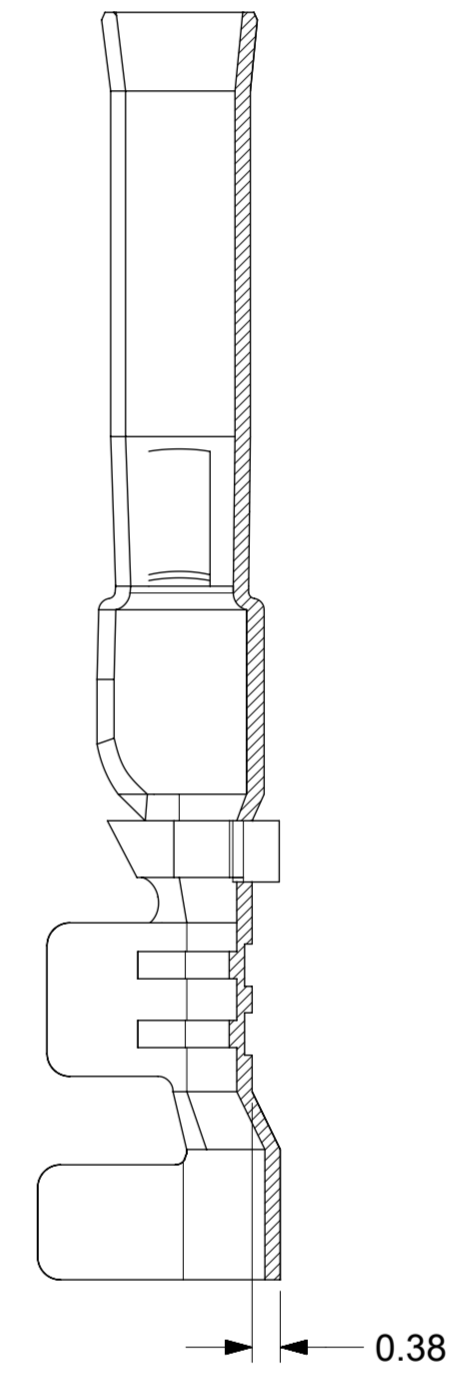
16-18 AWG TERMINAL



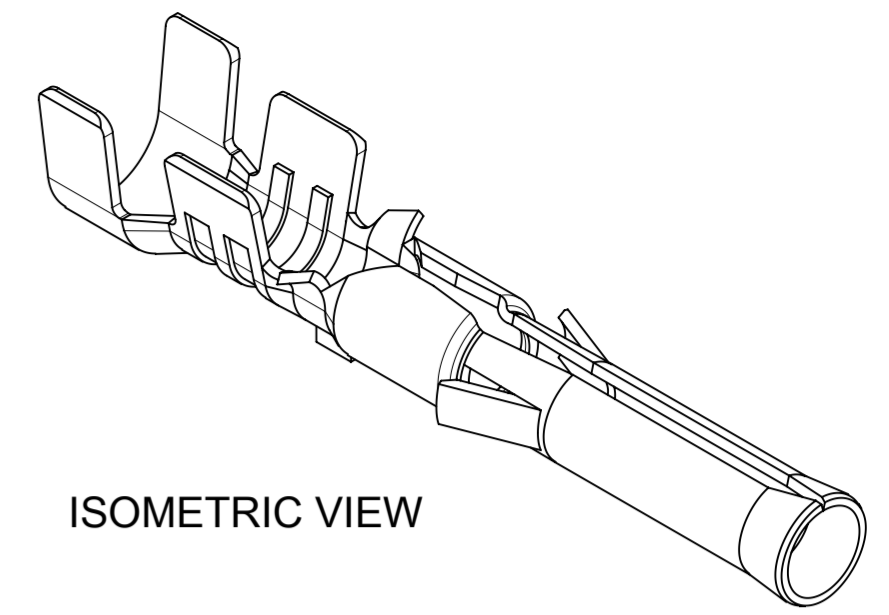
SECTION W-W



16 AWG TERMINAL



SECTION R-R

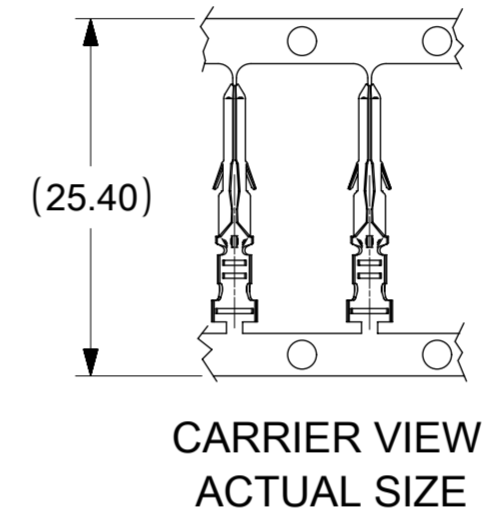
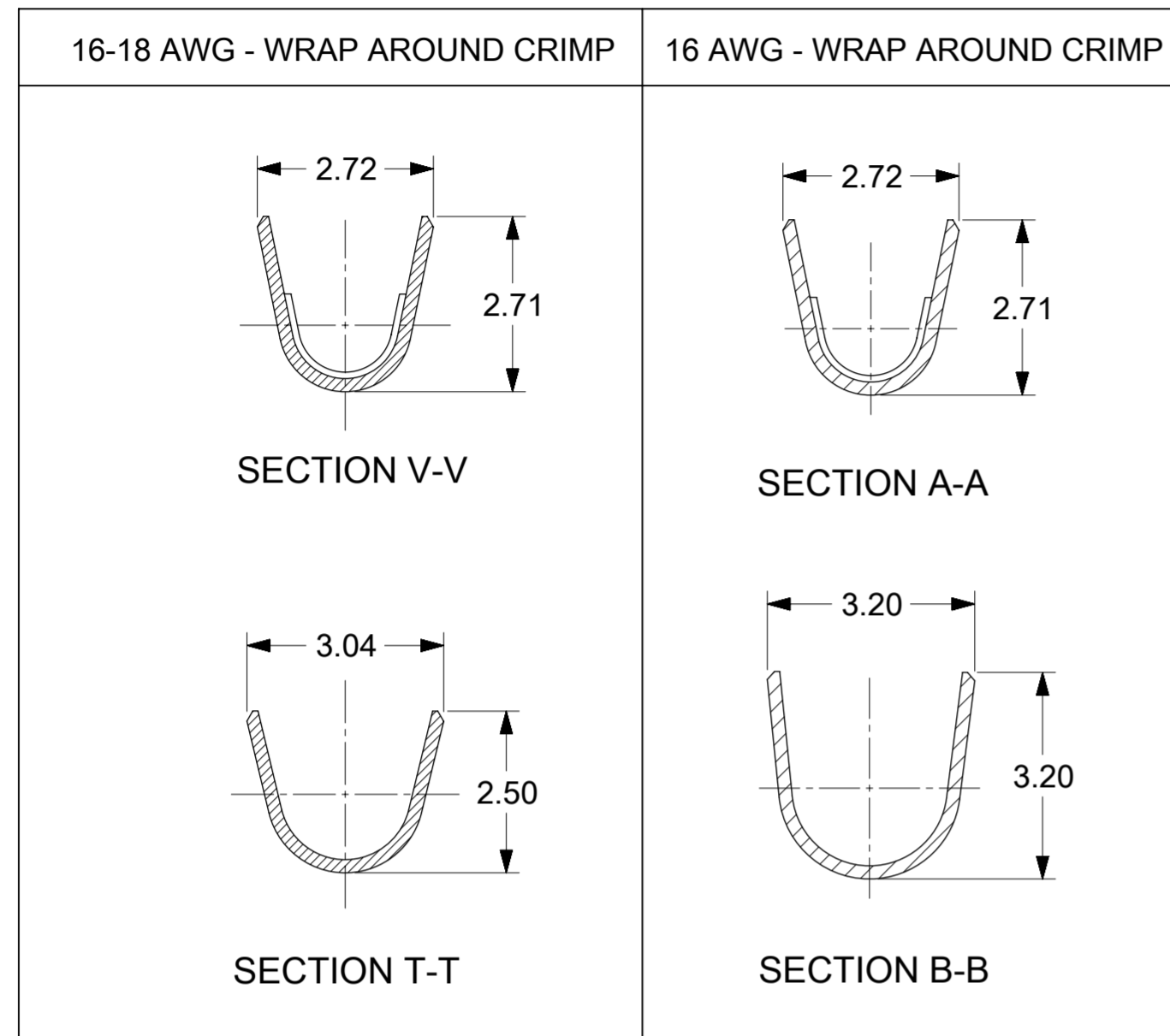


ISOMETRIC VIEW

THIS DRAWING CONTAINS INFORMATION THAT IS PROPRIETARY TO MOLEX ELECTRONIC TECHNOLOGIES, LLC AND SHOULD NOT BE USED WITHOUT WRITTEN PERMISSION

RE-MASTERED IN ELECTRICAL EC NO: 112874 DRWN: ISHWARG CHKD: KPRASAD APP: 2017/01/27	GENERAL TOLERANCES (UNLESS SPECIFIED)		DIMENSION UNITS	SCALE	
	ANGULAR TOL ± 0.5 °		MM	10:1	
	4 PLACES ±	SS06	DRWN BY	DATE	
	3 PLACES ±		ISHWARG	2015/02/27	
2 PLACES ± 0.25		CHK'D BY	DATE	VALUSEAL FEMALE TERMINAL 16-18 & 20-22 AWG	
1 PLACE ± 0.35		APP'R BY	DATE		
0 PLACES ±		RHODGE	2015/04/06		
DRAFT WHERE APPLICABLE MUST REMAIN WITHIN DIMENSIONS		DRAWING SIZE	THIRD ANGLE PROJECTION		
D	A2				PRODUCT CUSTOMER DRAWING SERIES: 173042 MATERIAL NUMBER: SEE TABLE CUSTOMER: GENERAL MARKET
RELEASE STATUS: P1		RELEASE DATE: 28.10.2016	07:58:30	DOCUMENT NUMBER: SD-173042-0001 DOC TYPE: PSD DOC PART: 000 SHEET NUMBER: 1 OF 2	

CONDUCTOR AND INSULATOR CRIMP DIMENSIONS



NOTES:

1. MATERIAL: TIN BRASS
2. FINISHES:
HOT TIN DIP (60μ INCHES MIN).
3. PRODUCT SPECIFICATION: 1728770001-PS
4. PACKAGING SPECIFICATION: PK-173041-0001
5. TERMINAL FOR USE WITH RECEPTACLE HOUSING SERIES 172878
6. THIS PARTS CONFORM TO CLASS 'B' REQUIREMENTS OF COSMETIC SPECIFICATION PS-45499-002.

TABLE:

PART NUMBER	SHEET THICKNESS	CRIMP SIZE	WIRE STYLE	INSULATION DIAMETER (MEAN)	REMARKS
173042-0001	0.203	16 AWG	UL 1061	Ø1.98	ACTIVE
		18 AWG	UL 1007	Ø2.03	ACTIVE
		18 AWG	UL 1095	Ø1.90	ACTIVE
173042-0003	0.203	16 AWG	UL 1007	Ø2.39	TBD

THIS DRAWING CONTAINS INFORMATION THAT IS PROPRIETARY TO MOLEX ELECTRONIC TECHNOLOGIES, LLC AND SHOULD NOT BE USED WITHOUT WRITTEN PERMISSION

RE-MASTERED IN ELECTRICAL EC NO: 112874 DRWN: ISHWARG CHKD: KPRASAD REV: 1 APPR: 2017/01/23	GENERAL TOLERANCES (UNLESS SPECIFIED)	DIMENSION UNITS	SCALE			
	ANGULAR TOL ± 0.5 °	MM	10:1			
	4 PLACES ±	DRWN BY	DATE		VALUSEAL FEMALE TERMINAL 16-18 & 20-22 AWG	
	3 PLACES ±	SS06	2015/02/27			
	2 PLACES ± 0.25	CHK'D BY	DATE		PRODUCT CUSTOMER DRAWING	
1 PLACE ± 0.35	ISHWARG	2016/07/06				
0 PLACES ±	APPR BY	DATE	SERIES	MATERIAL NUMBER	CUSTOMER	
DRAFT WHERE APPLICABLE MUST REMAIN WITHIN DIMENSIONS	RHODGE	2015/04/06	173042	SEE TABLE	GENERAL MARKET	
	DRAWING SIZE	THIRD ANGLE PROJECTION	DOCUMENT NUMBER			
	A2		SD-173042-0001	DOC TYPE	DOC PART	SHEET NUMBER
			PSD	000	2 OF 2	