



Chipsmall Limited consists of a professional team with an average of over 10 year of expertise in the distribution of electronic components. Based in Hongkong, we have already established firm and mutual-benefit business relationships with customers from,Europe,America and south Asia,supplying obsolete and hard-to-find components to meet their specific needs.

With the principle of “Quality Parts,Customers Priority,Honest Operation,and Considerate Service”,our business mainly focus on the distribution of electronic components. Line cards we deal with include Microchip,ALPS,ROHM,Xilinx,Pulse,ON,Everlight and Freescale. Main products comprise IC,Modules,Potentiometer,IC Socket,Relay,Connector.Our parts cover such applications as commercial,industrial, and automotives areas.

We are looking forward to setting up business relationship with you and hope to provide you with the best service and solution. Let us make a better world for our industry!



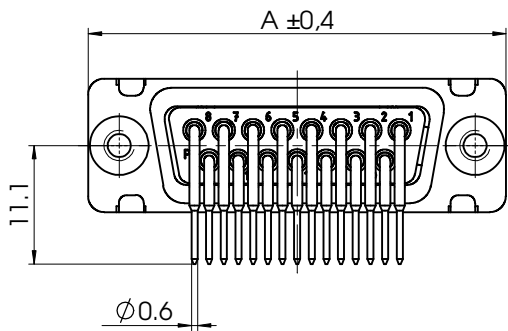
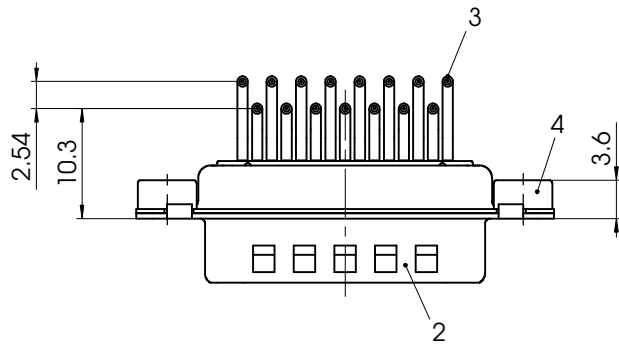
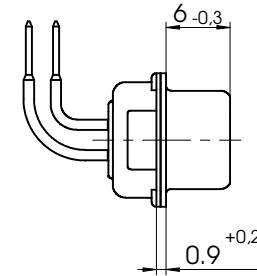
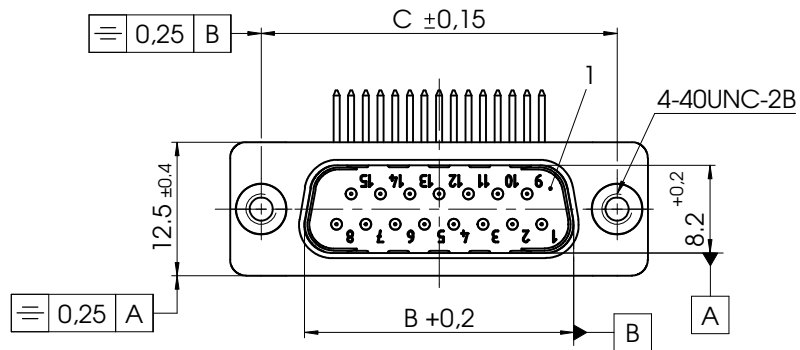
Contact us

Tel: +86-755-8981 8866 Fax: +86-755-8427 6832

Email & Skype: info@chipsmall.com Web: www.chipsmall.com

Address: A1208, Overseas Decoration Building, #122 Zhenhua RD., Futian, Shenzhen, China





FHTxx^{*1)} P5Gy^{*2)}

e.g. FHT09P5G1

*1) xx No. of contacts 09, 15, 25 or 37

*2) y for performance classes 1, 2 or 3

(contact cycle for G1/G2/G3 = 500/200/50)

xx	A (mm)	B (mm)	C (mm)	*øE (mm)	*H (mm)	*J (mm)
09	30,8	16,9	25	ø 1	9,4	2,54
15	39,1	25,2	33,3			
25	53	38,9	47,04			
37	69,3	55,3	63,5			

*PCB hole patterns, øE, H, J on supplement AM0024

No.	St.	Part	Type	Description/Material	Surface plating/Colour/Class
4	2	Clinch nut	FT 4-40 / Steel		tin plated
3	xx	Signal contact	P5 / Brass		G1/G2/G3
2	1	Shell	Steel		tin plated
1	1	Insulator	PCT (-55°C - +150°C)		natural

Measurement without tolerance occ. to ISO 2768-m	SCALE 2:1	TITLE
DATE	NAME	D-Sub Miniature Connector
DRAWN 19-11-2004	sschref	
CHECKED 19-11-2004	fflo8mann	

FCT group
www.fctgroup.com

DWG.NO.	FHTxxP5Gy	REV.	1
---------	-----------	------	---

COMMENT:
ALL RIGHTS ARE RESERVED BY US FOR THIS DRAWING. WITHOUT OUR PRIOR CONSENT,
THIS DRAWING IS NOT TO BE REPRODUCED, COPIED, STORED IN A RETRIEVING SYSTEM,
AND IT ALSO MAY NOT BE IMPROPERLY USED BY THE RECEIVER, OR A THIRD PARTY.