



Chipsmall Limited consists of a professional team with an average of over 10 year of expertise in the distribution of electronic components. Based in Hongkong, we have already established firm and mutual-benefit business relationships with customers from,Europe,America and south Asia,supplying obsolete and hard-to-find components to meet their specific needs.

With the principle of “Quality Parts,Customers Priority,Honest Operation,and Considerate Service”,our business mainly focus on the distribution of electronic components. Line cards we deal with include Microchip,ALPS,ROHM,Xilinx,Pulse,ON,Everlight and Freescale. Main products comprise IC,Modules,Potentiometer,IC Socket,Relay,Connector.Our parts cover such applications as commercial,industrial, and automotives areas.

We are looking forward to setting up business relationship with you and hope to provide you with the best service and solution. Let us make a better world for our industry!



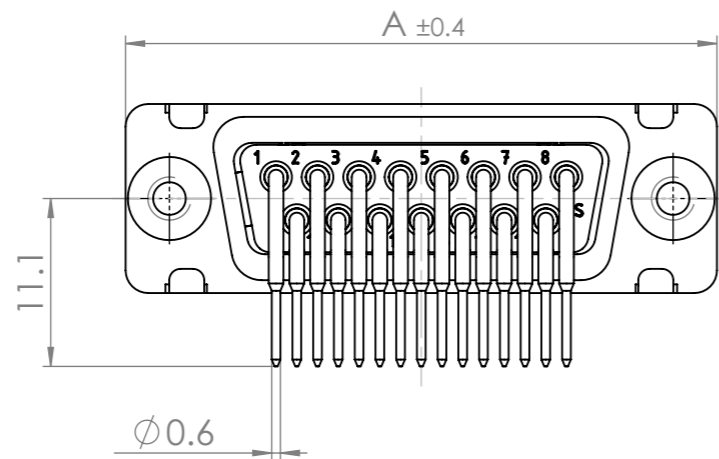
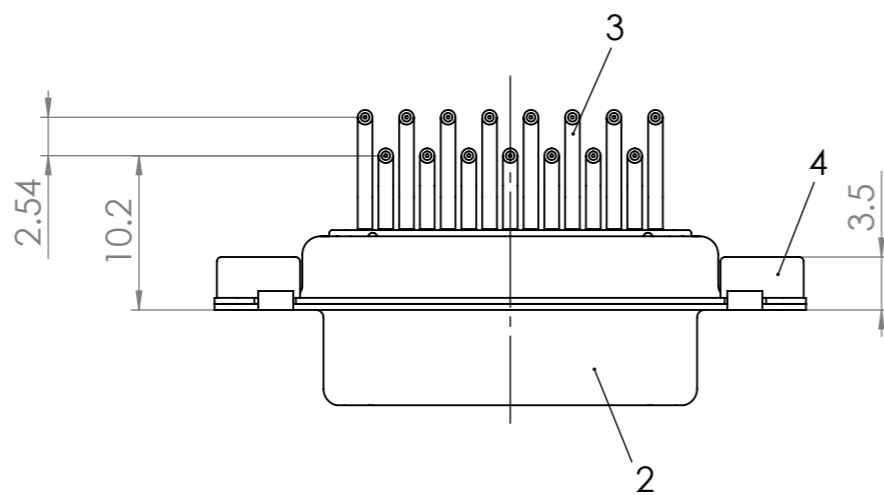
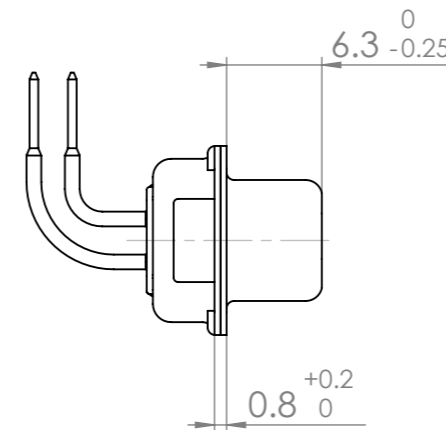
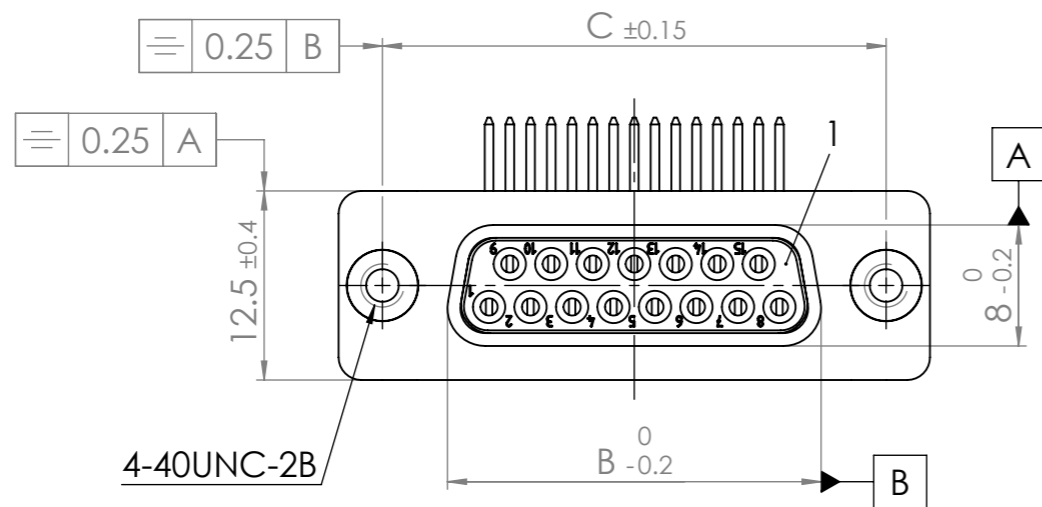
## Contact us

Tel: +86-755-8981 8866 Fax: +86-755-8427 6832

Email & Skype: info@chipsmall.com Web: www.chipsmall.com

Address: A1208, Overseas Decoration Building, #122 Zhenhua RD., Futian, Shenzhen, China





## FHTxx\*1)S5Gy\*2)

e.g. FHT09S5G1

- \*1) xx No. of contacts 09, 15, 25 or 37
- \*2) y for performance classes 1, 2 or 3 (contact cycle for G1/G2/G3 = 500/200/50)

xx	A [mm]	B [mm]	C [mm]	*E [mm]	*H [mm]	*J [mm]
09	30.8	16.4	25	ø1	9.4	2.54
15	39.1	24.7	33.3			
25	53	38.5	47.04			
37	69.3	54.9	63.5			

\*PCB hole patterns, øE, H, J on supplement AM0024

No.	St.	Part	Type	Description/Material	Surface plating/Colour/Class
4	2	Clinch nut	FT 4-40 / Steel		tin plated
3	1	Signal contact	S5 / Brass		G1/G2/G3
2	1	Shell	Steel		tin plated
1	1	Insulator	PCT (-55°C - +150°C)		natural



Measurement without tolerance occ. to ISO 2768-m

SCALE 2:1

TITLE

D-Sub Miniature Connector

NAME / DATE  
DRAWN sschref 19-11-2004  
CHECKED fflöBmann 19-11-2004

**FCT** group  
fctgroup.com

DWG.NO.

FHTxxS5Gy

REV.

1

REV.	DATE	CH.-NO.	ORIGINAL: DIN A3-DRAWING AS A FILE	REPLACEMENT FOR:	PAGES 1
1					