



Chipsmall Limited consists of a professional team with an average of over 10 year of expertise in the distribution of electronic components. Based in Hongkong, we have already established firm and mutual-benefit business relationships with customers from,Europe,America and south Asia,supplying obsolete and hard-to-find components to meet their specific needs.

With the principle of “Quality Parts,Customers Priority,Honest Operation,and Considerate Service”,our business mainly focus on the distribution of electronic components. Line cards we deal with include Microchip,ALPS,ROHM,Xilinx,Pulse,ON,Everlight and Freescale. Main products comprise IC,Modules,Potentiometer,IC Socket,Relay,Connector.Our parts cover such applications as commercial,industrial, and automotives areas.

We are looking forward to setting up business relationship with you and hope to provide you with the best service and solution. Let us make a better world for our industry!



Contact us

Tel: +86-755-8981 8866 Fax: +86-755-8427 6832

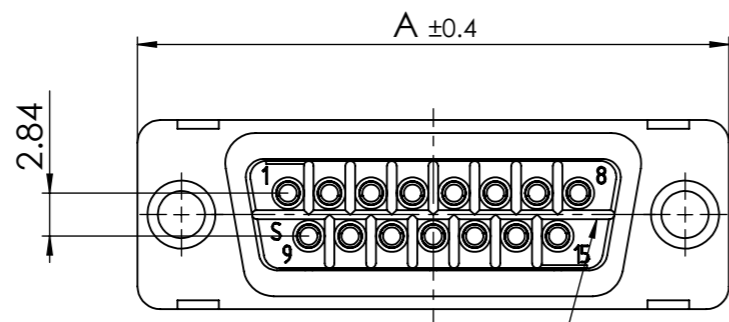
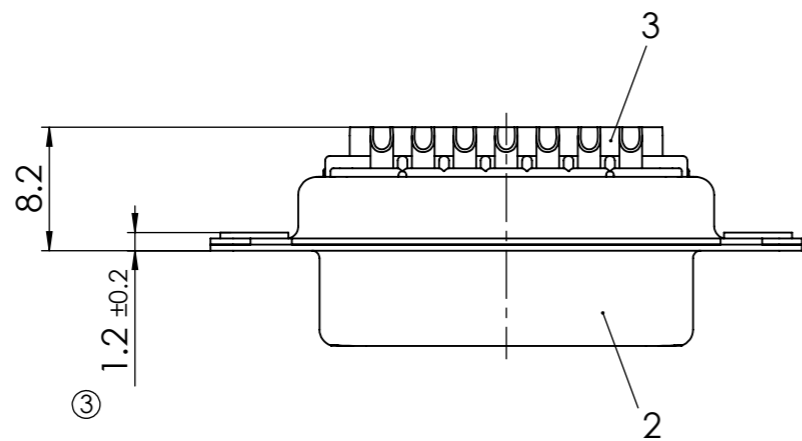
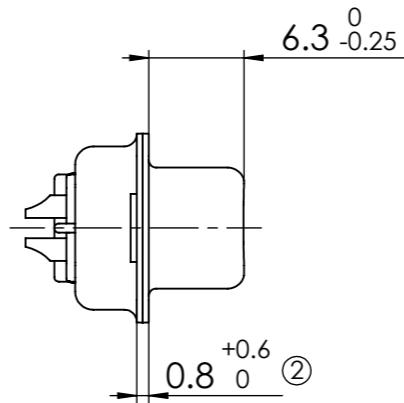
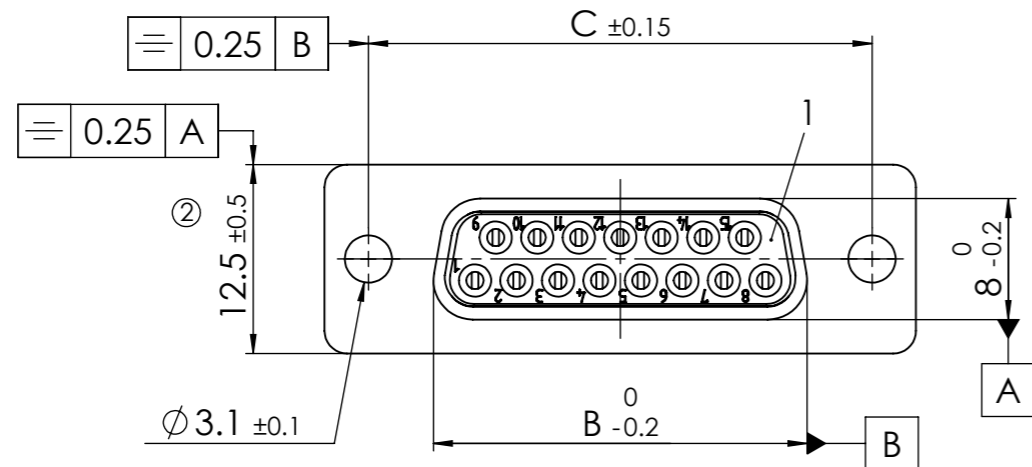
Email & Skype: info@chipsmall.com Web: www.chipsmall.com

Address: A1208, Overseas Decoration Building, #122 Zhenhua RD., Futian, Shenzhen, China



COMMENT: ALL RIGHTS ARE RESERVED BY US FOR THIS DRAWING. WITHOUT OUR PRIOR CONSENT, IT MAY NEITHER BE DUBLICATED NOR MADE AVAILABLE TO A THIRD PARTY. AND IT ALSO MAY NOT BE IMPROPERLY USED BY THE RECEIVER, OR A THIRD PARTY.

RoHS compliant



Connectors with 37 contacts, without geometry for creepage distance

Fxx*1)S-K700

e.g. F09S-K700

*1) xx No. of contacts 09, 15, 25 or 37

xx	A [mm]	B [mm]	C [mm]
09	30.8	16.4	25
15	39.1	24.7	33.3
25	53	38.5	47.04
37	69.3	54.9	63.5

Protection standard IP67, 100% checked according to DIN EN60529

No.	St.	Part	Type Description/Material	Surface plating/Colour/Class
3	xx	Signal contact	S0 / Brass	0.8µm Au / AWG 20
2	1	Shell	Brass	tin plated
④ 1	1	Insulator	PBT (-25°C - +70°C)	red

REV.	DATE	CH.-NO.	ORIGINAL: DIN A3-DRAWING AS A FILE	REPLACEMENT FOR:	PAGES
4	24-10-2014	23687		Waterproof D-Sub Miniature Connector DWG.NO. FxxS-K700	REV. 4 PAGES 1
3	21-01-2013	23237			
2	13-03-2008	22220			
1					