



Chipsmall Limited consists of a professional team with an average of over 10 year of expertise in the distribution of electronic components. Based in Hongkong, we have already established firm and mutual-benefit business relationships with customers from,Europe,America and south Asia,supplying obsolete and hard-to-find components to meet their specific needs.

With the principle of “Quality Parts,Customers Priority,Honest Operation,and Considerate Service”,our business mainly focus on the distribution of electronic components. Line cards we deal with include Microchip,ALPS,ROHM,Xilinx,Pulse,ON,Everlight and Freescale. Main products comprise IC,Modules,Potentiometer,IC Socket,Relay,Connector.Our parts cover such applications as commercial,industrial, and automotives areas.

We are looking forward to setting up business relationship with you and hope to provide you with the best service and solution. Let us make a better world for our industry!



## Contact us

Tel: +86-755-8981 8866 Fax: +86-755-8427 6832

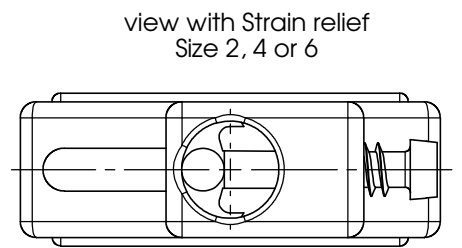
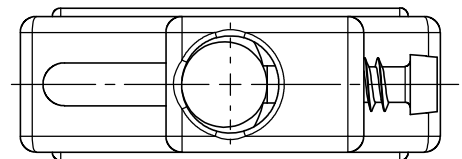
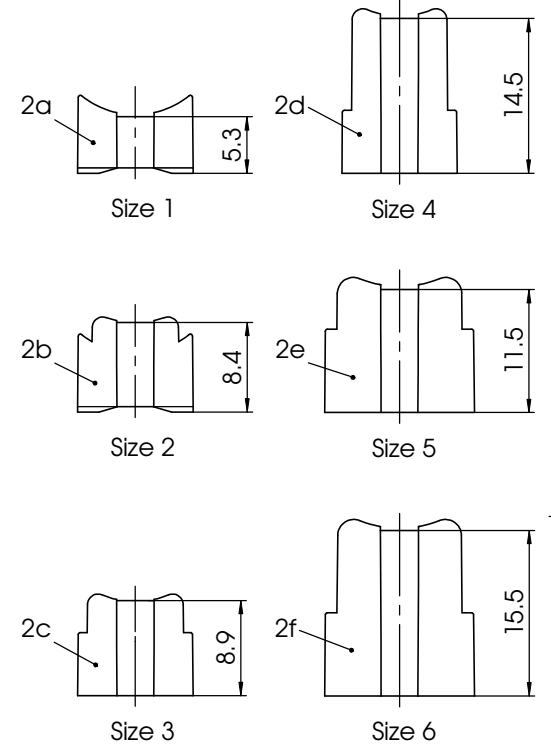
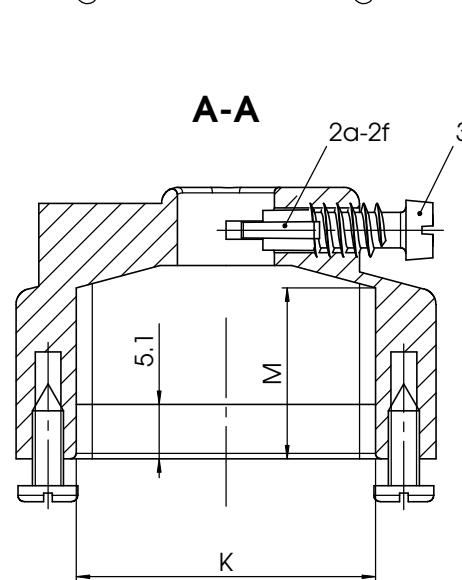
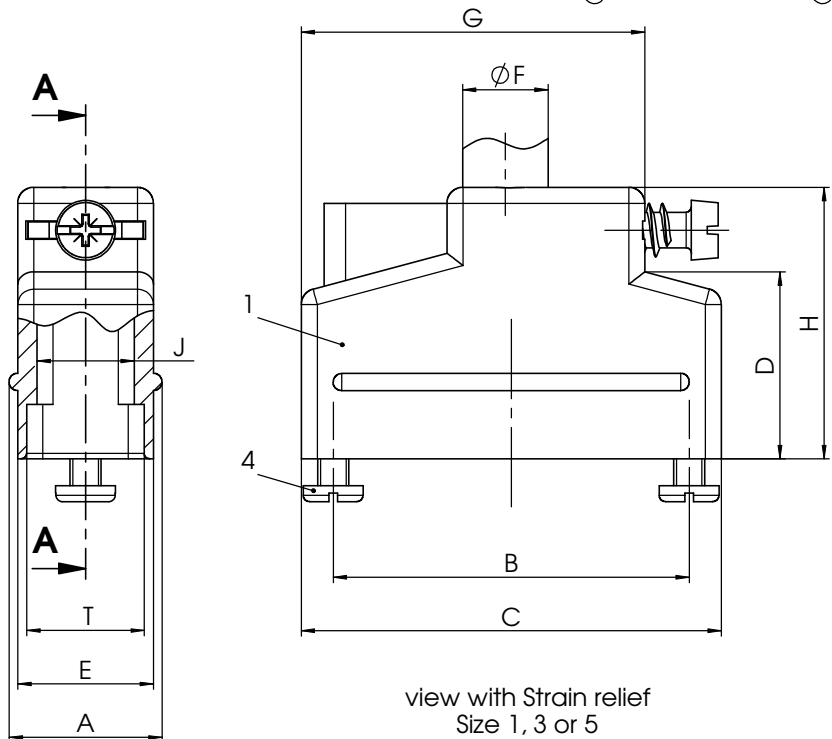
Email & Skype: info@chipsmall.com Web: www.chipsmall.com

Address: A1208, Overseas Decoration Building, #122 Zhenhua RD., Futian, Shenzhen, China



Order No.	Shell Size / for No. of Contacts	2				3			4			5				6	
		A ±0.3	B ±0.1	C ±0.3	D ±0.3	E ±0.3	min. - max.	Strain relief	min. - max.	Strain relief	G ±0.3	H ±0.3	J ±0.3	K ±0.3	M ±0.3	T ±0.3	
F-PHG-1	1 / 9	14.3	25	30.9	16.4	12.7	5 - 9.1	Size 1	3.5 - 7	Size 2	28.9	25.4	8.8	20.1	16.5	11	
F-PHG-2	2 / 15	14.3	33.3	39.3	17.5	12.7	5 - 9.1	Size 1	3.5 - 7	Size 2	32.1	25.4	8.8	28.1	16.1	11	
F-PHG-3	3 / 25	14.3	47	53.2	22.5	12.7	5 - 9.1	Size 3	4 - 7	Size 4	43.6	31.7	8.8	42.3	20	11	
F-PHG-4	4 / 37	14.3	63.5	69.4	29.8	12.7	5 - 9.1	Size 3	5 - 7	Size 4	54.7	38.1	8.8	58.8	26.1	11	
F-PHG-5	5 / 50	17	61.1	67.1	29	15.5	5 - 11.9	Size 5	3.5 - 7	Size 6	54	38.1	11.2	56.4	25.4	13.2	

øF1 = Cable diameter for Strain relief Size 1, 3 or 5  
 øF2 = Cable diameter for Strain relief Size 2, 4 or 6



① max. torque are 40 Ncm  
 Part-No. 2a to 2f, 3 and 4 not mounted

No.	St.	Part	Type	Description/Material	Surface plating/Colour/Class
4	2	Connector mounting screw	Steel		nickel plated
3	1	Screw	Steel		nickel plated
2f	1	Strain relief	Size 6 / Polyester		grey
2e	1	Strain relief	Size 5 / Polyester		grey
2d	1	Strain relief	Size 4 / Polyester		grey
2c	1	Strain relief	Size 3 / Polyester		grey
2b	1	Strain relief	Size 2 / Polyester		grey
2a	1	Strain relief	Size 1 / Polyester		grey
1	1	Hood	F-PHG-1-5 / Polyester		grey

		Measurement without tolerance acc. to ISO 2768-m		SCALE	TITLE
		NAME / DATE		2:1	Plastic hood
		DRAWN			
		CHECKED			
		fctgroup.com		DWG.NO.	REV.
2	23-10-2009	22419		F-PHG-1-5	2
1	07-11-2008	22333			
REV.	DATE	CH.-NO.	ORIGINAL: DIN A3-DRAWING AS A FILE	REPLACEMENT FOR:	PAGES 1

COMMENT: ALL RIGHTS ARE RESERVED BY US FOR THIS DRAWING. WITHOUT OUR PRIOR CONSENT, IT IS NOT TO BE REPRODUCED OR TRANSMITTED IN ANY FORM OR BY ANY MEANS, AND IT ALSO MAY NOT BE IMPROPERLY USED BY THE RECEIVER, OR A THIRD PARTY.