



Chipsmall Limited consists of a professional team with an average of over 10 year of expertise in the distribution of electronic components. Based in Hongkong, we have already established firm and mutual-benefit business relationships with customers from,Europe,America and south Asia,supplying obsolete and hard-to-find components to meet their specific needs.

With the principle of “Quality Parts,Customers Priority,Honest Operation,and Considerate Service”,our business mainly focus on the distribution of electronic components. Line cards we deal with include Microchip,ALPS,ROHM,Xilinx,Pulse,ON,Everlight and Freescale. Main products comprise IC,Modules,Potentiometer,IC Socket,Relay,Connector.Our parts cover such applications as commercial,industrial, and automotives areas.

We are looking forward to setting up business relationship with you and hope to provide you with the best service and solution. Let us make a better world for our industry!



Contact us

Tel: +86-755-8981 8866 Fax: +86-755-8427 6832

Email & Skype: info@chipsmall.com Web: www.chipsmall.com

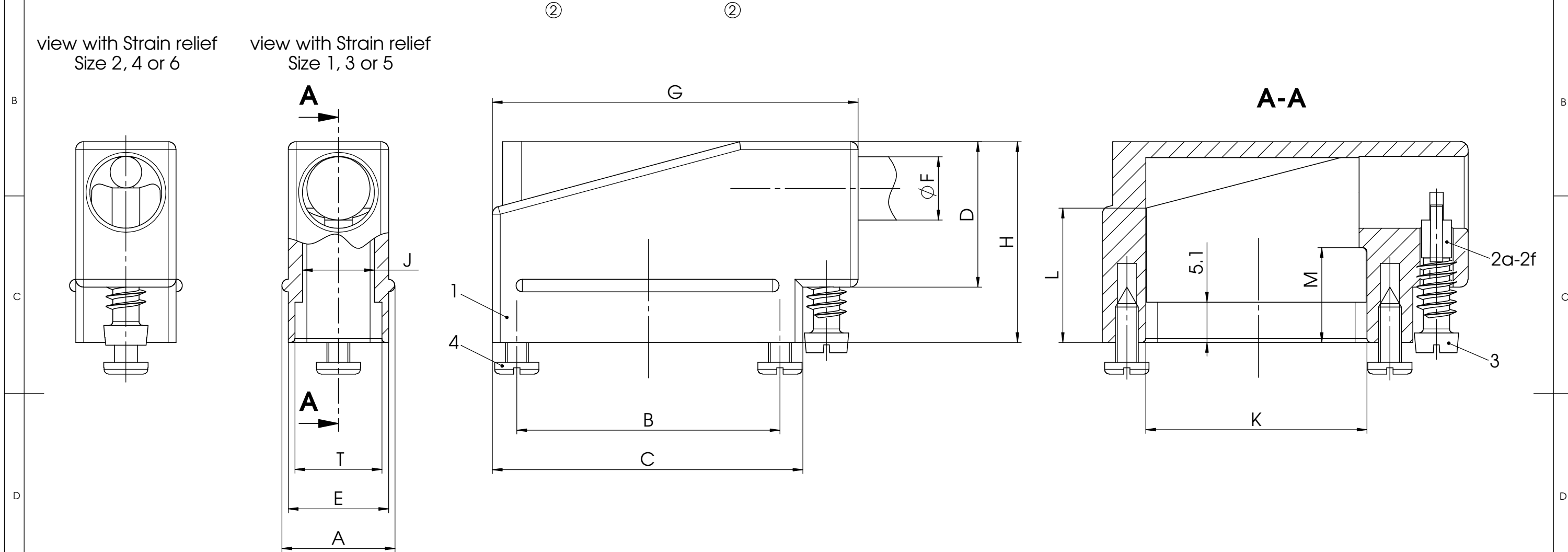
Address: A1208, Overseas Decoration Building, #122 Zhenhua RD., Futian, Shenzhen, China



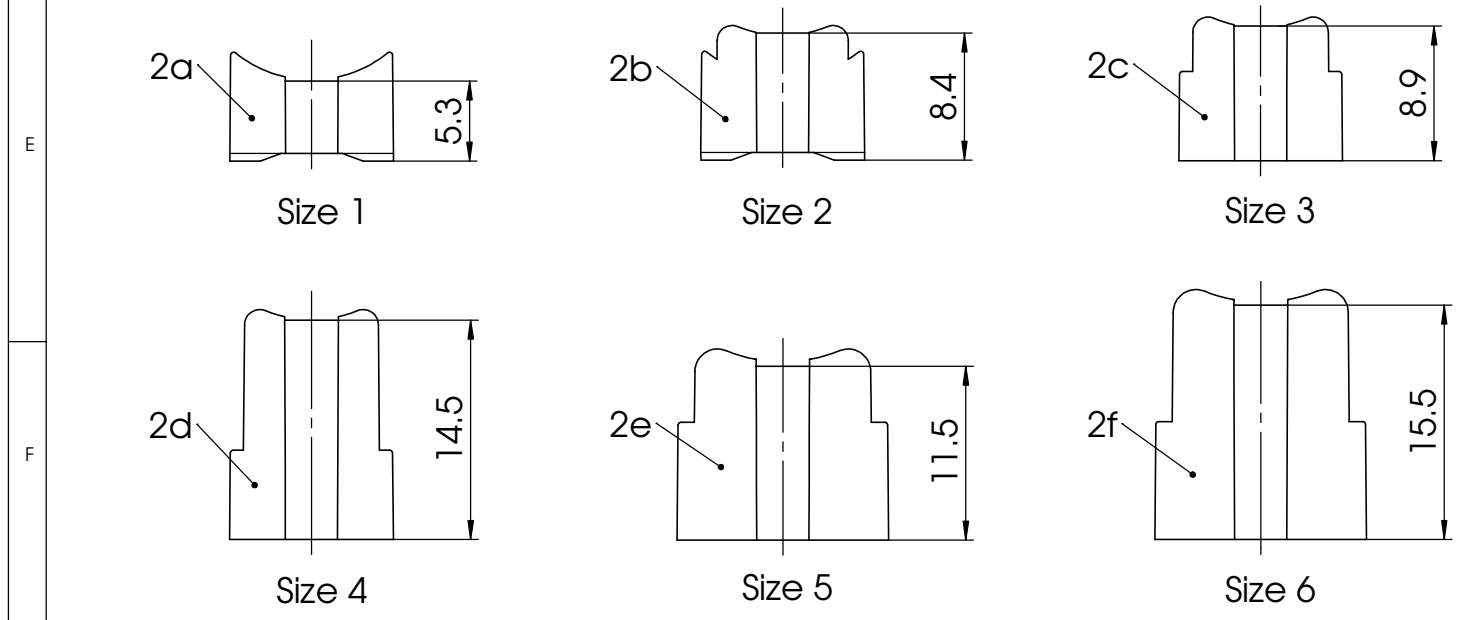
COMMENT:
ALL RIGHTS ARE RESERVED BY US FOR THIS DRAWING. WITHOUT OUR PRIOR CONSENT,
IT MAY NEITHER BE DUBLICATED NOR MADE AVAILABLE TO A THIRD PARTY.
AND IT ALSO MAY NOT BE IMPROPERLY USED BY THE RECEIVER, OR A THIRD PARTY.

Order-No.	Shell Size / for No. of Contacts	A ±0.3	B ±0.1	C ±0.3	D ±0.3	E ±0.3	∅F1 min. - max. Strain relief	∅F2 min. - max. Strain relief	G ±0.3	H ±0.3	J ±0.3	K ±0.3	L ±0.3	M ±0.3	T ±0.3
F-PHR-1	1 / 9	14.3	25	30.9	18.5	12.7	5 - 6.9 Size 1	3.5 - 5 Size 2	38	25.4	8.8	20.1	18.8	12	11
F-PHR-2	2 / 15	14.3	33.3	39.3	18.3	12.7	5 - 9.1 Size 1	3.5 - 6 Size 2	46.3	25.4	8.8	28.1	17	12	11
F-PHR-3	3 / 25	14.3	47	53.2	24.8	12.7	5 - 9.1 Size 3	4 - 7 Size 4	60.1	31.7	8.8	42.3	19.6	16	11
F-PHR-4	4 / 37	14.3	63.5	69.7	30.5	12.7	5 - 9.1 Size 3	5 - 7 Size 4	76.4	38.1	8.8	58.8	21.7	17	11
F-PHR-5	5 / 50	17	61.1	67.9	31.1	15.5	5 - 11.6 Size 5	3.5 - 7 Size 6	75.2	38.1	11.2	56.4	22.2	17.3	13.2

∅F1 = Cable diameter for Strain relief Size 1, 3 or 5
∅F2 = Cable diameter for Strain relief Size 2, 4 or 6



① max. torque are 40 Ncm
Part-No. 2a to 2f, 3 and 4 not mounted



No.	St.	Part	Type	Description/Material	Surface plating/Colour/Class
4	2	Connector mounting screw	Steel		nickel plated
3	1	Screw	Steel		nickel plated
2f	1	Strain relief	Size 6 / Polyester		grey
2e	1	Strain relief	Size 5 / Polyester		grey
2d	1	Strain relief	Size 4 / Polyester		grey
2c	1	Strain relief	Size 3 / Polyester		grey
2b	1	Strain relief	Size 2 / Polyester		grey
2a	1	Strain relief	Size 1 / Polyester		grey
1	1	Hood	F-PHR-1-5 / Polyester		grey

		Measurement without tolerance occ. to ISO 2768-m SCALE 2:1 TITLE Plastic Hood
DRAWN Michael.Holze 28-07-2008 CHECKED cschoening 23-10-2009	DWG.NO. F-PHR-1-5 REV. 2	
2 23-10-2009 22419 1 17-11-2008 22333	ORIGINAL: DIN A3-DRAWING AS A FILE REPLACEMENT FOR: F-PHR-1-5_SW	PAGES 1

