



Chipsmall Limited consists of a professional team with an average of over 10 year of expertise in the distribution of electronic components. Based in Hongkong, we have already established firm and mutual-benefit business relationships with customers from,Europe,America and south Asia,supplying obsolete and hard-to-find components to meet their specific needs.

With the principle of "Quality Parts,Customers Priority,Honest Operation,and Considerate Service",our business mainly focus on the distribution of electronic components. Line cards we deal with include Microchip,ALPS,ROHM,Xilinx,Pulse,ON,Everlight and Freescale. Main products comprise IC,Modules,Potentiometer,IC Socket,Relay,Connector.Our parts cover such applications as commercial,industrial, and automotives areas.

We are looking forward to setting up business relationship with you and hope to provide you with the best service and solution. Let us make a better world for our industry!



Contact us

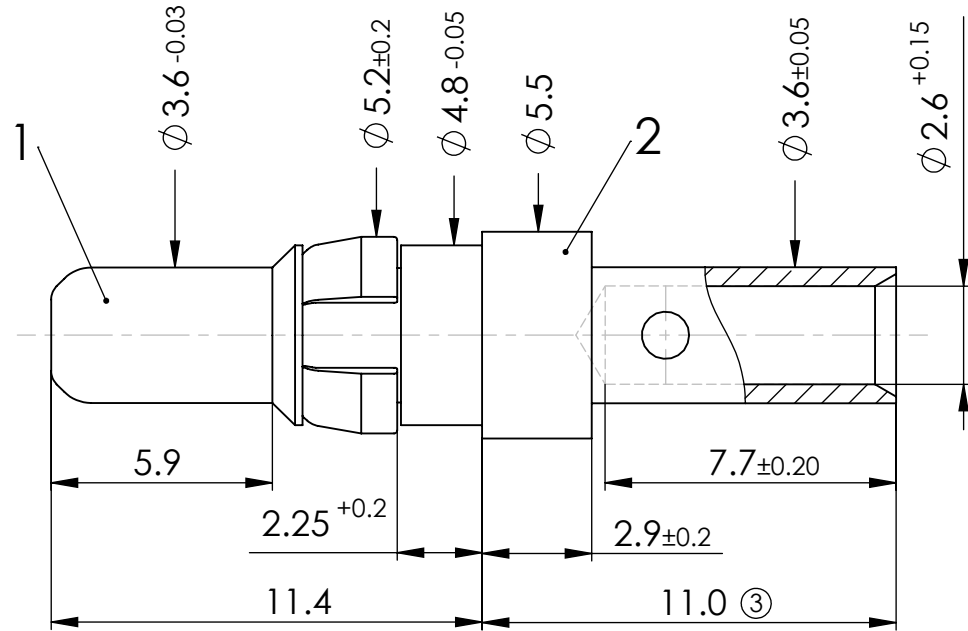
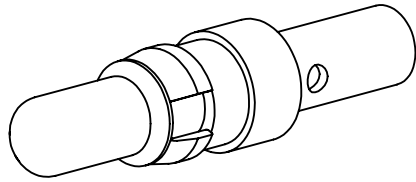
Tel: +86-755-8981 8866 Fax: +86-755-8427 6832

Email & Skype: info@chipsmall.com Web: www.chipsmall.com

Address: A1208, Overseas Decoration Building, #122 Zhenhua RD., Futian, Shenzhen, China



COMMENT:
 ALL RIGHTS ARE RESERVED BY US FOR THIS DRAWING. WITHOUT OUR PRIOR CONSENT,
 IT MAY NEITHER BE DUPLICATED NOR MADE AVAILABLE TO A THIRD PARTY,
 AND IT ALSO MAY NOT BE IMPROPERLY USED BY THE RECEIVER, OR A THIRD PARTY.



Text No. W-4

FCT tools:

Hand tool: M309

Pneumatic crimp tool: WA27-309

Die: SP994

Selector Number:

AWG 12 / SEL. 5

AWG 14 / SEL. 4

CURRENT		20 A	HIGH POWER CONTACT	SCALE 5:1	DATA SHEET	
FOR		D-Sub				
DIMENSIONS IN MM			DRAWN	NAME / DATE Steinbrück 14-05-2003		
MATERIAL + FINISH SEE EXTRA SHEET			CHECKED	ffuhrmann 15-12-2006		
UNLESS OTHERWISE SPECIFIED DIMENSIONS FOR REFERENCE ONLY					PART NO.	REV.
3	12-04-2007	11507			FMP003P	3
REV.	DATE	INDEX	ORIGINAL: DIN A4-DRAWING AS A FILE		REPLACEMENT FOR:	PAGE: 1/1