



Chipsmall Limited consists of a professional team with an average of over 10 year of expertise in the distribution of electronic components. Based in Hongkong, we have already established firm and mutual-benefit business relationships with customers from,Europe,America and south Asia,supplying obsolete and hard-to-find components to meet their specific needs.

With the principle of “Quality Parts,Customers Priority,Honest Operation,and Considerate Service”,our business mainly focus on the distribution of electronic components. Line cards we deal with include Microchip,ALPS,ROHM,Xilinx,Pulse,ON,Everlight and Freescale. Main products comprise IC,Modules,Potentiometer,IC Socket,Relay,Connector.Our parts cover such applications as commercial,industrial, and automotives areas.

We are looking forward to setting up business relationship with you and hope to provide you with the best service and solution. Let us make a better world for our industry!



## Contact us

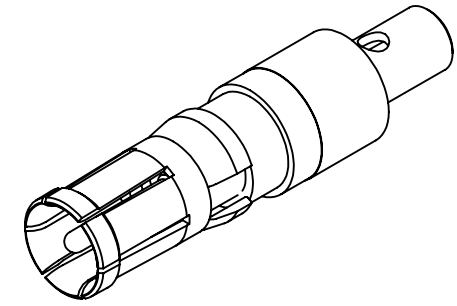
Tel: +86-755-8981 8866 Fax: +86-755-8427 6832

Email & Skype: info@chipsmall.com Web: www.chipsmall.com

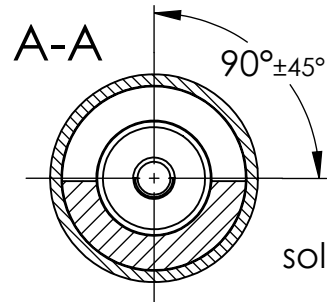
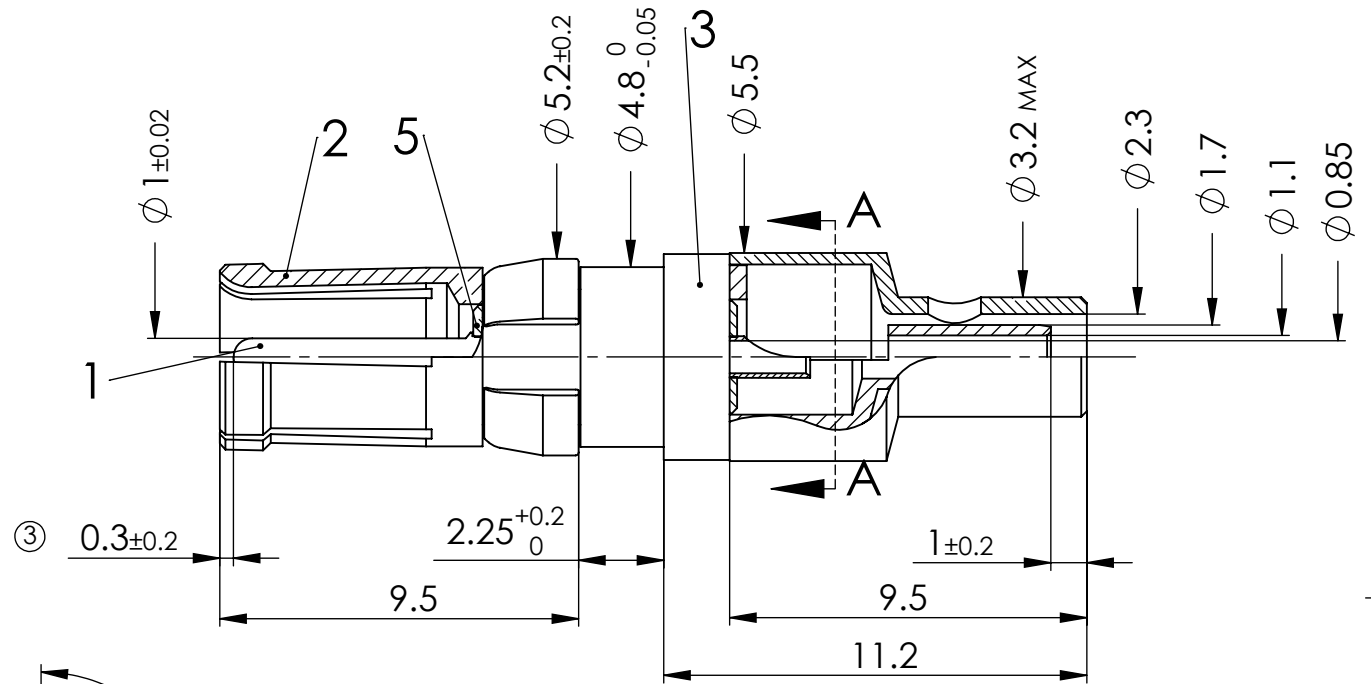
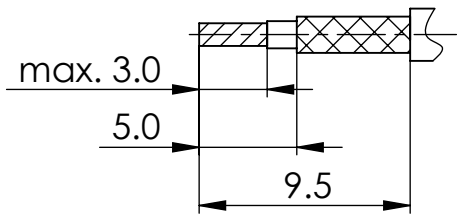
Address: A1208, Overseas Decoration Building, #122 Zhenhua RD., Futian, Shenzhen, China



COMMENT:  
 ALL RIGHTS ARE RESERVED BY US FOR THIS DRAWING. WITHOUT OUR PRIOR CONSENT,  
 IT MAY NEITHER BE DUPLICATED NOR MADE AVAILABLE TO A THIRD PARTY,  
 AND IT ALSO MAY NOT BE IMPROPERLY USED BY TE RECEIVER, OR A THIRD PARTY.



Cable dimensions



solderpot position

Text No. W-2

**FCT tools:**

Crimping of outer conductor:

Hand tool: M22520/5-01  
 Die: Y1535P cavity C

Pneumatic crimp tool: HX23  
 (replacement for PH4001) ②

Extraction tool: DRK38

IMPEDANCE		50 Ohm	COAXIAL CONTACT		SCALE	CABLE	
FOR		D-SUB			5:1	RG178BU, RG196AU, RG404U	
DIMENSIONS IN MM			DRAWN	NAME / DATE		DATA SHEET	
MATERIAL + FINISH SEE EXTRA SHEET			CHECKED	ffuhrmann 29-05-2006			
UNLESS OTHERWISE SPECIFIED DIMENSIONS FOR REFERENCE ONLY					sschref 12-05-2015		PART NO.
3	12-05-2015	23755			FMX005S		REV.
REV.	DATE	INDEX			REPLACEMENT FOR:		3
ORIGINAL: DIN A4-DRAWING AS A FILE					PAGE: 1/1		