



Chipsmall Limited consists of a professional team with an average of over 10 year of expertise in the distribution of electronic components. Based in Hongkong, we have already established firm and mutual-benefit business relationships with customers from,Europe,America and south Asia,supplying obsolete and hard-to-find components to meet their specific needs.

With the principle of “Quality Parts,Customers Priority,Honest Operation,and Considerate Service”,our business mainly focus on the distribution of electronic components. Line cards we deal with include Microchip,ALPS,ROHM,Xilinx,Pulse,ON,Everlight and Freescale. Main products comprise IC,Modules,Potentiometer,IC Socket,Relay,Connector.Our parts cover such applications as commercial,industrial, and automotives areas.

We are looking forward to setting up business relationship with you and hope to provide you with the best service and solution. Let us make a better world for our industry!



## Contact us

Tel: +86-755-8981 8866 Fax: +86-755-8427 6832

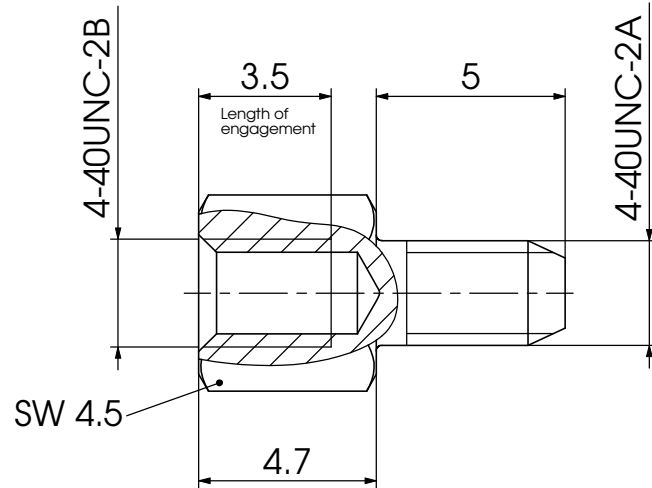
Email & Skype: info@chipsmall.com Web: www.chipsmall.com

Address: A1208, Overseas Decoration Building, #122 Zhenhua RD., Futian, Shenzhen, China



COMMENT:  
 ALL RIGHTS ARE RESERVED BY US FOR THIS DRAWING. WITHOUT OUR PRIOR CONSENT,  
 IT MAY NEITHER BE DUBLICATED NOR MADE AVAILABLE TO A THIRD PARTY,  
 AND IT ALSO MAY NOT BE IMPROPERLY USED BY TE RECEIVER, OR A THIRD PARTY.

1	2	3	4	5	6			
	Material	Surface	Screw (quantity)	Washer (quantity)	Spring washer (quantity)	Nut (quantity)	Package	Notice
F-GSCH1/5-K835	Brass	tin plated	2	2	-	-	in pairs	Packed together in a bag
F-GSCH1/5-K835S	Brass	tin plated	max. 5000	max. 5000	-	-	bulk packed	Individually packed in bags
F-GSCH1/5-K1561	Brass	tin plated / blank	2 Brass	-	2 stainless steel	2 stainless steel	in pairs	Packed together in a bag
F-GSCH1/5-4494 ②	Brass	tin plated	2	-	-	-	in pairs	Packed together in a bag



RoHS compliant

				Measurement without tolerance acc. to ISO 2768-m	SCALE 5:1	TITLE  <b>Female Screw Lock F-GSCH1/5</b>	
			DRAWN	NAME / DATE Denzinger 21-10-2002			
			CHECKED	sschref 13-09-2010			
2	13-09-2010	22692	<b>FCT</b> group fctgroup.com			DWG.NO.	REV. 2
1	19-12-1994	2 0133				DWG.NO.	
REV.	DATE	CH.-NO.	ORIGINAL: DIN A4-DRAWING AS A FILE			REPLACEMENT FOR:	PAGES 1